

**PLEASE CHECK WWW.MOLEX.COM FOR LATEST PART INFORMATION**

**Part Number:** [1300030048](#)  
**Status:** **Active**  
**Overview:** Brad Quick-Change Connectors  
**Description:** Quick-Change Brad Power Receptacle, 4 Pole, 1/2" - 14 NPT, Male (Straight) to 14/1 AWG Leads, 0.30m (11.81") Length

**Documents:**

[Drawing \(PDF\)](#) [RoHS Certificate of Compliance \(PDF\)](#)

**Agency Certification**

CSA LR6837  
 UL E46237

**General**

Product Family Industrial Receptacles  
 Series [130003](#)  
 IP Rating IP67  
 Overview [Brad Quick-Change Connectors](#)  
 Product Name Quick-Change  
 Type Single Ended (pigtail)  
 UPC 78678832632

**Physical**

Coupling Type External Thread  
 Gender Male  
 Keyway Single  
 Length 0.305m  
 Material - Component Gray Anodized Aluminum  
 Mounting Thread Size 1/2" - 14 NPT  
 Orientation Straight  
 Panel Mount Back  
 Poles 4  
 Temperature Range - Operating -20°C to +90°C  
 Wire Size AWG 14  
 Wire/Cable Type UL 1015

**Electrical**

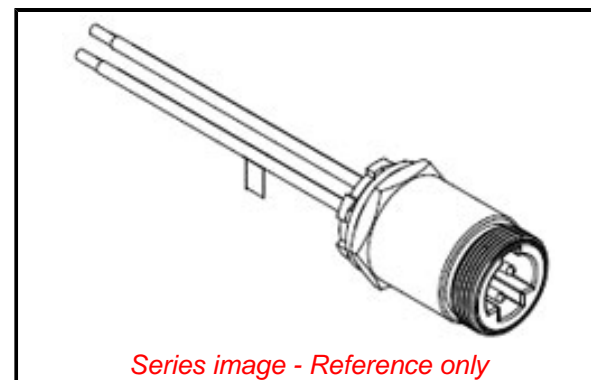
Current - Maximum per Contact 15.0A  
 Voltage - Maximum 600V AC/DC

**Material Info**

Engineering Number 32632

**Reference - Drawing Numbers**

Sales Drawing SD-130003-003



*Series image - Reference only*

**EU ELV**

**Not Relevant**

**EU RoHS**

**Not Reviewed**

**REACH SVHC**

Not Reviewed

**Halogen-Free**

**Status**

**Not Reviewed**

**Need more information on product environmental compliance?**

Email [productcompliance@molex.com](mailto:productcompliance@molex.com)  
 Please visit the [Contact Us](#) section for any non-product compliance questions.

China ROHS	Not Reviewed
ELV	Not Relevant
RoHS Phthalates	Not Reviewed

**China RoHS**

**Search Parts in this Series**

[130003 Series](#)