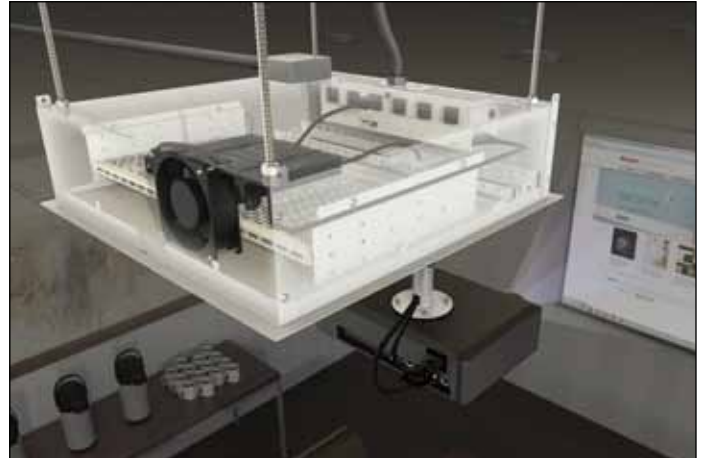


Evolution™ Series Boxes...now available for ceilings

Evolution™ Series products just keep on growing. The Evolution Series Ceiling Box is the newest member of the most innovative family of product on the market. These boxes are designed to go above a false or permanent ceiling structure while maintaining the aesthetics of the room. They provide both storage capacity and the ability to support a projector at the same time. Evolution Series Ceiling Boxes are offered in six different versions from a base model to the high end RackLink™ version where the product can monitor and connect with building automation systems. Evolution Series Ceiling boxes are perfect for conference rooms, educational classrooms, training facilities, airports, or anywhere a projector and/or A/V equipment is required.



Evolution Series controlled receptacle ceiling box with projector mount (ECB2SP-CR) installed in a conference room.

FEATURES & BENEFITS

- **Variety of Options.** The Evolution Series Ceiling Boxes are offered in six different versions from a basic model to the RackLink™ version; allowing the correct box to be selected for a given job.
- **Removable Shelf.** The storage shelf is removable to allow A/V equipment to be mounted outside the box, facilitating a quicker, easier installation.
- **Rotatable Shelf.** The storage shelves inside the Evolution Series Ceiling Box rotate allowing quick and easy access to service and maintain both the front and back of the A/V equipment without having to remove from the box.
- **RackLink™ System Included.** The Evolution Series Ceiling Boxes are offered with Middle Atlantic Products RackLink system, allowing for A/V devices to be monitored and controlled remotely (ECB2S-RLNK & ECBSP-RLNK versions only).
- **Built-In Cooling.** The ECB2S-CR, ECB2SP-CR, ECB2S-RLNK, and ECB2S-RLNK are equipped with a thermostatically controlled AC fan to keep the A/V equipment cool while keeping the environment quiet.
- **Controlled Receptacle.** The ECB2S-CR and ECB2SP-CR are equipped with four (4) controlled receptacles allowing for the devices that are plugged into those receptacles to be automatically turned off when not in use, saving component life and increasing energy savings for the building.
- **Multiple Size Service Feeds.** Evolution Series Ceiling Boxes are equipped with multiple knockouts ranging from 1/2" to 2" trade size openings to accommodate the maximum amount of feed cables.
- **Removable Cover.** Can be opened and removed while a projector is mounted to the ceiling box. This allows the devices to be serviced without having to disconnect the projector from the box.
- **Cover Lanyard.** The Evolution Series Ceiling Boxes are shipped with a tether cord designed to prevent the cover from slipping out of hands and landing on expensive conference room tables, keeping the product intact and saving tables from damage.
- **Built-In Projector Mount.** The Evolution Series Ceiling Boxes are offered with a built in projector mount, allowing the projector to be positioned laterally across the width of the box with a load capacity of up to 50 lbs.
- **2 Rack Unit Mounting Brackets.** Evolution Series Ceiling Boxes are designed to easily accept a standard 1RU or a 2RU unit, allowing the box to adapt to the specific application requirements.
- **Built-In Tie Down Locations.** The shelves provided with the Evolution Series Ceiling Boxes have been designed so the perforations allow the customer maximum flexibility for securing equipment in place.
- **Lockable Doors:** Evolution Series Ceiling Boxes can be equipped with a key and lock combination to provide extra security when needed.
- **Plenum Rated.** Evolution Series Ceiling Boxes are suitable for use in plenums in accordance with section 300.22(c) of the National Electrical Code.
- **ETL Listed.** Approved for use in the United States and Canada. Conforms to UL 60940-1 and CSA 22.2 60950-1 Information Technology Equipment standards.

Evolution Series Ceiling Box Components

COMPONENTS INCLUDED:

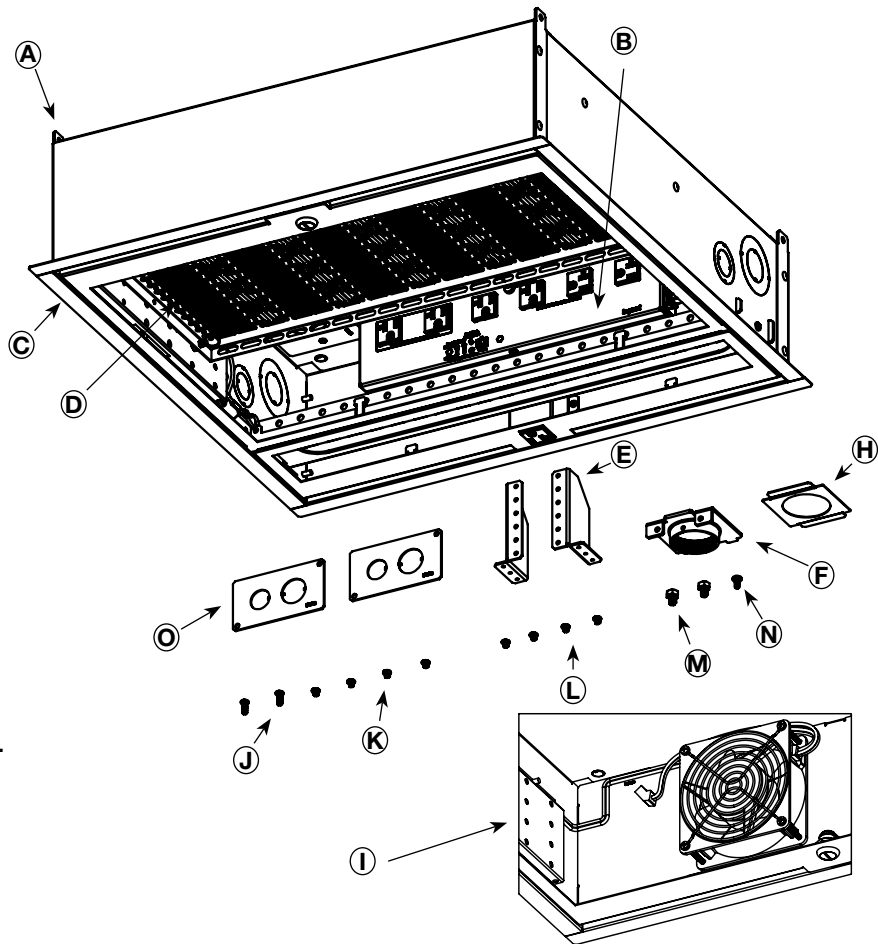
- A. Enclosure
- B. Power Module
- C. Door Frame
- D. Shelf
- E. 2RU Support Brackets
- F. Projector Mount Cover Frame (included with ECB2SP Models)
- G. Projector Mounting Bracket (Included with ECB2SP Models)
- H. Projector Mount Trim (Included with ECB2SP Models)
- I. Fan (Included on all -CR and -RLNK Models)
- J. #8-32x1/2 Screws (2)
- K. #8-32x1 1/4 Screws (4)
- L. #8-32x1 1/4 Screws (4)
- M. 1/4-20x1/2 Bolt (2)
- N. #10-32x1/4 Screw
- O. Wiring Compartment KO Plates (2)

Electrical Ratings: 120V, 60Hz, 20A

Shelf Max Load: 20 lbs.

Projector Mounting Bracket Max Load: 50 lbs.

Maximum Gross Weight: 120 lbs.



Evolution Series Ceiling Box Model Selection Guide

| EVOLUTION CEILING BOX MODEL | ECB2S | ECB2SP | ECB2S-CR | ECB2SP-CR | ECB2S-RLNK | ECB2SP-RLNK |
|--------------------------------|--|--------------------|---------------------------------|---------------------------------|---------------------------------|---------------------------------|
| BOX SIZE: | 23 3/4" x 23 3/4" x 6 3/4" [603mm x 603mm x 171mm] | | | | | |
| INSTALL TYPE: | | | | | | |
| False Ceiling | YES | YES | YES | YES | YES | YES |
| Hard Ceiling | YES | YES | YES | YES | YES | YES |
| SHELF CAPACITY: | 2RU | 2RU | 2RU | 2RU | 2RU | 2RU |
| RECEPTACLES: | 6 | 7 | 4 Controlled, 2 Uncontrolled | 4 Controlled, 3 Uncontrolled | 4 Controlled, 2 Uncontrolled | 4 Controlled, 3 Uncontrolled |
| REMOVABLE SHELVES: | YES | YES | YES | YES | YES | YES |
| PROJECTOR MOUNT: | No | Yes, Up to 50 lbs. | No | Yes, Up to 50 lbs. | No | Yes, Up to 50 lbs. |
| COVER COLORS: | White | White | White | White | White | White |
| KO SIZE RANGE: (Trade Size) | 1/2" to 2" | 1/2" to 2" | 1/2" to 2" | 1/2" to 2" | 1/2" to 2" | 1/2" to 2" |
| NOTES: | Trim flange and decorative cover are paintable | | | | | |

Evolution Series Ceiling Box Ordering Information

Catalog No./Item

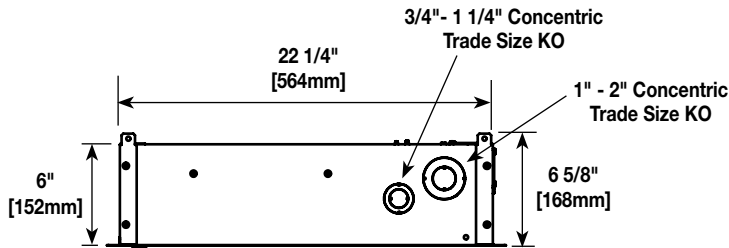
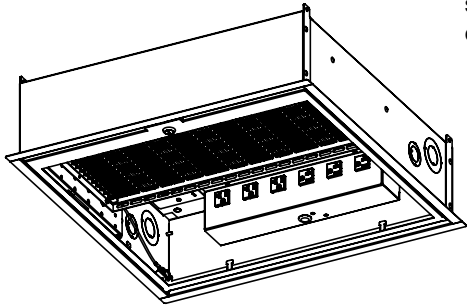
Description/Specifications

ECB2S

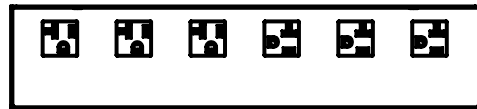
Evolution Series Ceiling Box – Fully finished enclosure designed to manage and store A/V equipment in an air handling plenum space above a false ceiling. Box comes equipped with:

- four (4) mounting tabs for securing the box via braided cable (not included)
- four (4) 3/8" knockout locations for threaded rod supports
- six (6) 20A receptacles, evenly spaced and rotated for large plugs (i.e. wall warts)
- one (1) easy to remove and reposition shelf
- one (1) easy to remove door that utilizes the ceiling tile or drywall for better aesthetics
- knockouts ranging from 1/2" to 2" trade size
- two (2) single-gang locations for additional receptacles, communication, or A/V devices
- one (1) cover tether cord.

Made In USA

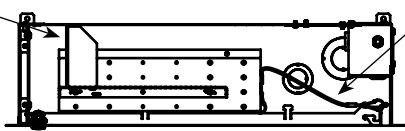


20A Reset Button



2RU Mounting Bracket

Tether Cord

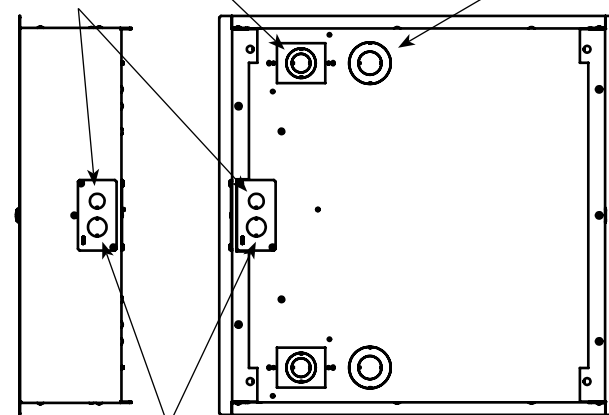
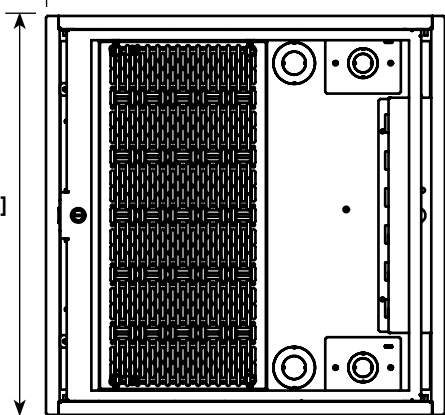


23 3/4" [603mm]

3/4" - 1 1/4" Concentric Trade Size KO (2)

1" - 2" Concentric Trade Size KO (2)

1/2" Trade Size KO



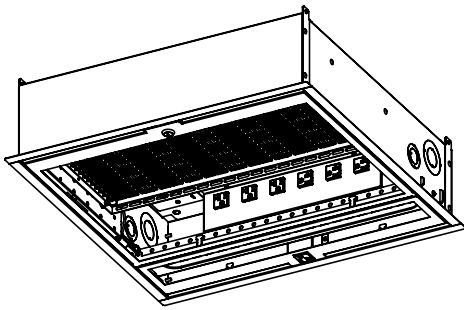
3/4" Trade Size KO

Evolution Series Ceiling Box Ordering Information (continued)

Catalog No./Item

Description/Specifications

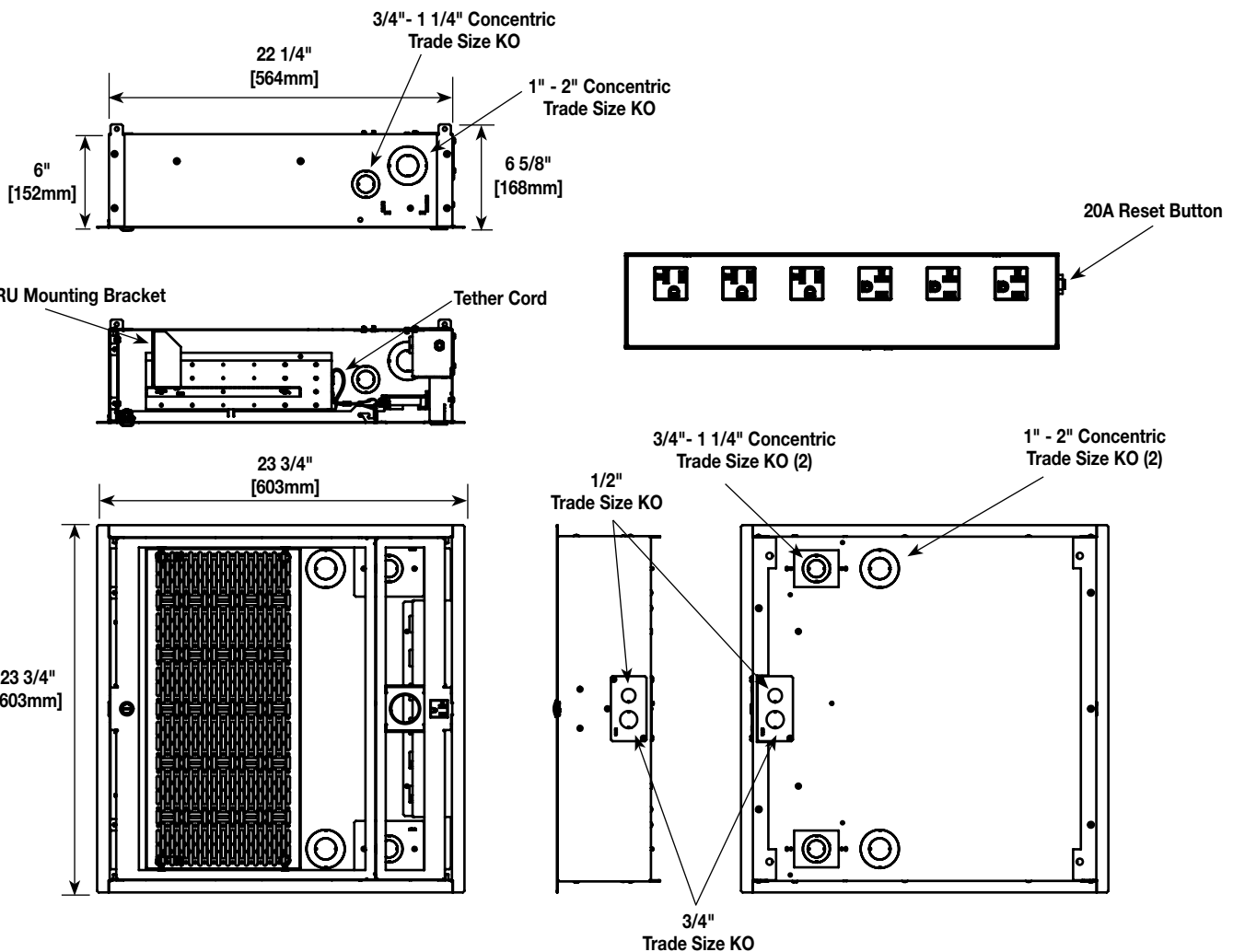
ECB2SP



Evolution Series Ceiling Box – Fully finished enclosure designed to manage and store A/V equipment in an air handling plenum space above a false ceiling. ECB2SP has a built in projector mount that utilizes a 1 1/2" standard NFS fitting and is rated to support a load up to 50 lbs. The projector mount can move laterally and be positioned anywhere along the track. Box comes equipped with:

- one (1) movable projector mount
- four (4) mounting tabs for securing the box via braided cable (not included)
- four (4) 3/8" knockout locations for threaded rod supports
- seven (7) 20A receptacles, evenly spaced and rotated for large plugs (i.e. wall warts) (one receptacle located on exterior of box to supply power to the projector)
- one (1) easy to remove and reposition shelf
- one (1) easy to remove door that utilizes the ceiling tile or drywall ceiling materials for better aesthetics
- knockouts ranging from 1/2" to 2" trade size
- two (2) single-gang locations for additional receptacles, communication, or A/V devices
- one (1) cover tether cord.

Made In USA

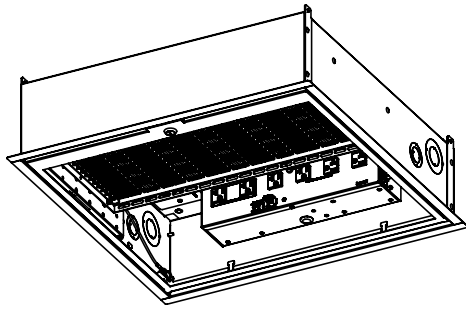


Evolution Series Ceiling Box Ordering Information (continued)

Catalog No./Item

Description/Specifications

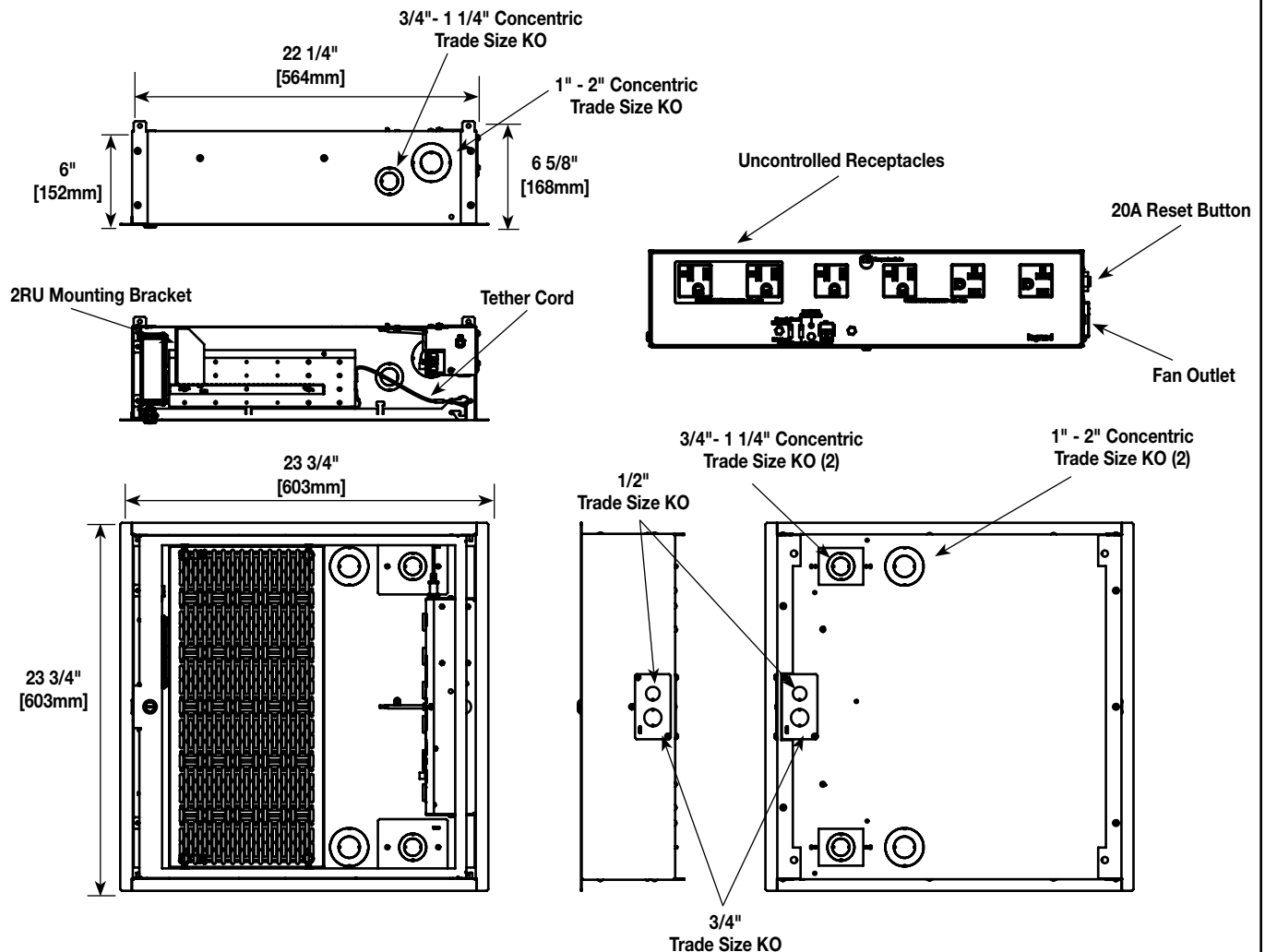
ECB2S-CR



Evolution Series Ceiling Box – Fully finished enclosure designed to manage and store A/V equipment in an air handling plenum space above a false ceiling. ECB2S-CR is equipped with dry contact controlled receptacles that can be switched off when not in use and has a built in fan to keep the temperature of the equipment cool. The Box comes equipped with:

- four (4) mounting tabs for securing the box via braided cable (not included)
- four (4) 3/8" knockout locations for threaded rod supports
- four (4) dry contact controlled 20A receptacles, evenly spaced and rotated for large plugs (i.e. wall warts)
- two (2) uncontrolled 20A receptacles
- one (1) 120mm x 120mm, 120VAC, 49 CFM/28 dBA AC fan
- one (1) easy to remove and reposition shelf
- one (1) easy to remove door that utilizes the ceiling tile for better aesthetics
- knockouts ranging from 1/2" to 2" trade size
- two (2) single-gang locations for additional receptacles, communication, or A/V devices
- one (1) cover tether cord.

Made In USA

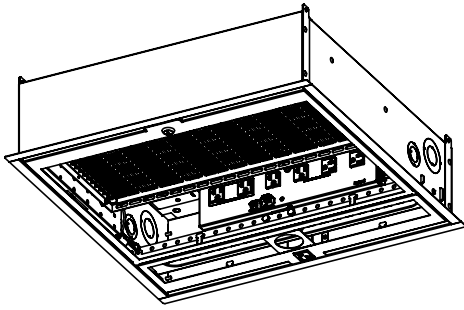


Evolution Series Ceiling Box Ordering Information (continued)

Catalog No./Item

Description/Specifications

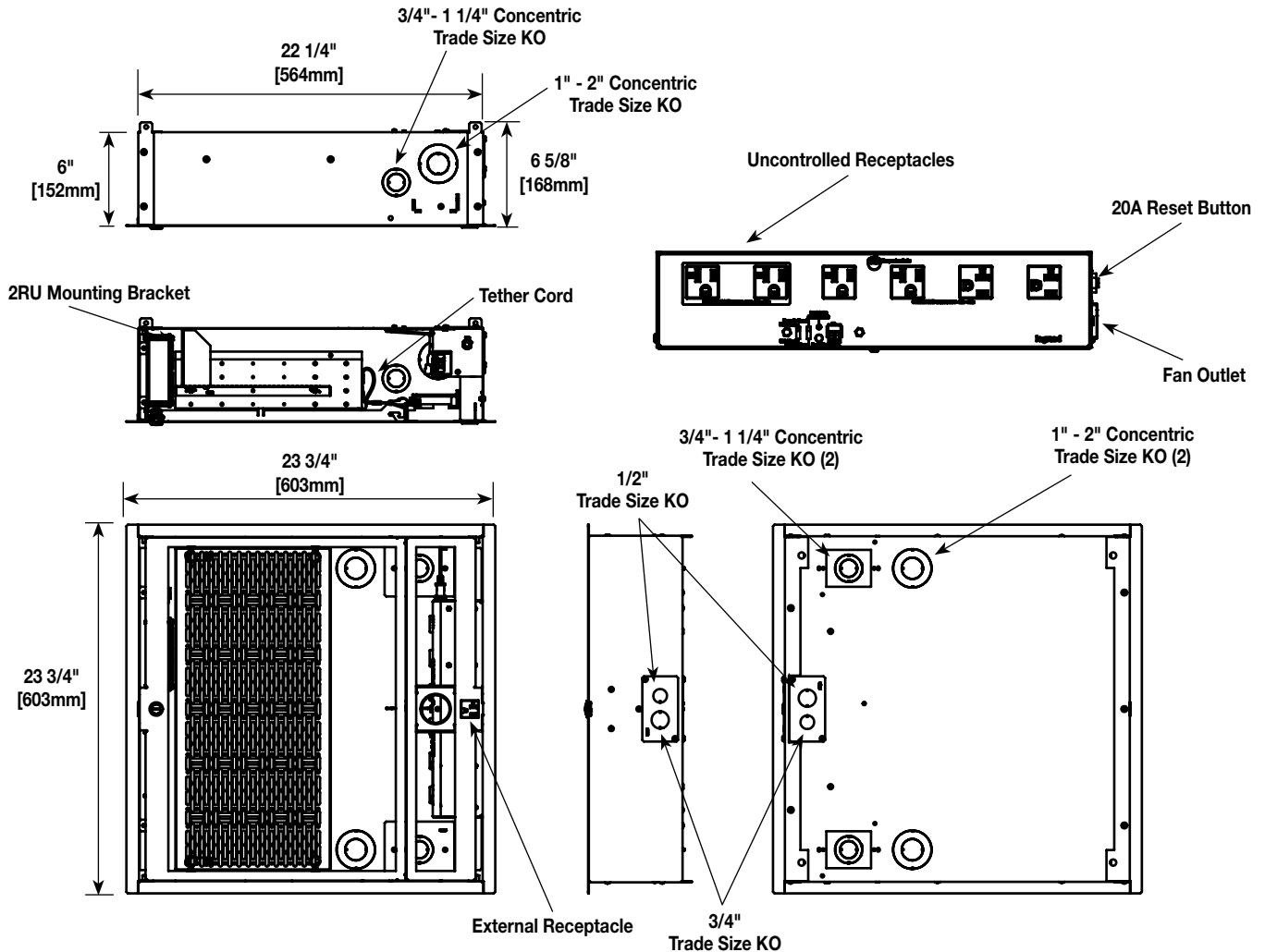
ECB2SP-CR



Evolution Series Ceiling Box – Fully finished enclosure designed to manage and store A/V equipment in an air handling plenum space above a false ceiling. ECB2SP-CR is equipped with dry contact controlled receptacles that can be switched off when not in use and has a built in fan to keep the temperature of the equipment cool. The ECB2SP-CR has a built in projector mount that utilizes a 1 1/2" standard NFS fitting and is rated to support a load up to 50 lbs. The projector mount can move laterally and be positioned anywhere along the track. Box comes equipped with:

- one (1) projector mount that is movable and can support up to a 50lb load
- four (4) mounting tabs for securing the box via braided cable (not included)
- four (4) 3/8" knockout locations for threaded rod supports
- four (4) 20A dry contact controlled receptacles, evenly spaced and rotated for large plugs (i.e. wall warts)
- two (2) 20A uncontrolled receptacles, evenly spaced and rotated for wall warts
- one (1) 120mm x 120mm, 120VAC, 49 CFM/28 dBA AC fan
- one (1) 20A external receptacle for the projector
- one (1) easy to remove and reposition shelf
- one (1) easy to remove door that utilizes the ceiling tile for better aesthetics
- knockouts ranging from 1/2" to 2" trade size
- two (2) single-gang locations for additional receptacles, communication, or A/V devices
- one (1) cover tether cord.

Made In USA



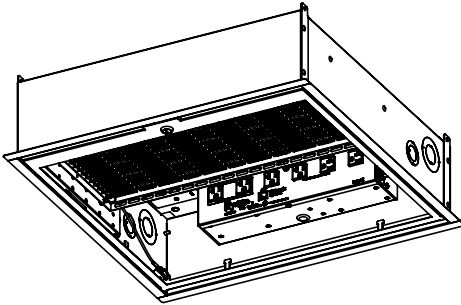
Evolution Series Ceiling Box Ordering Information (continued)

Catalog No./Item

Description/Specifications

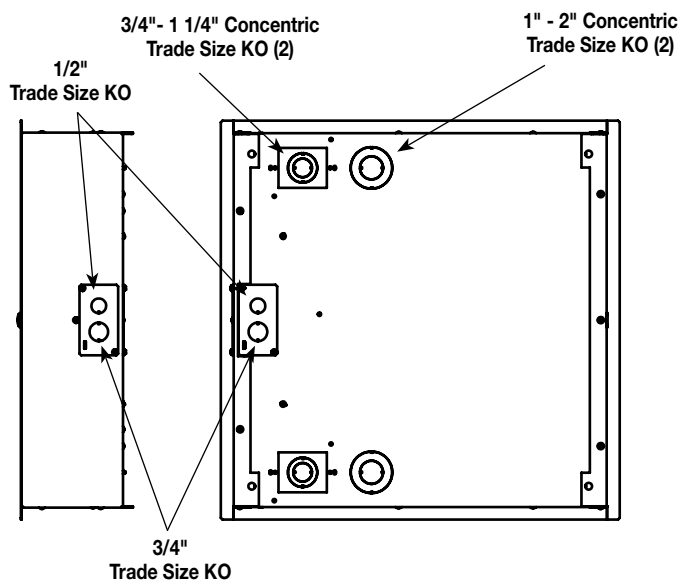
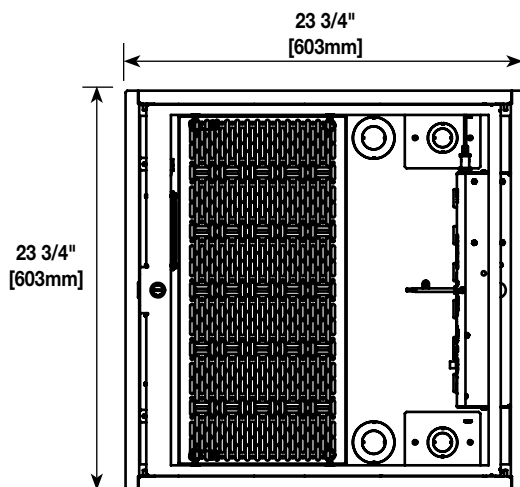
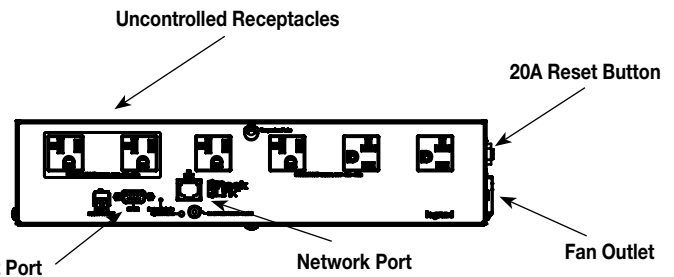
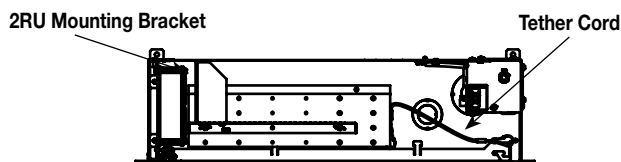
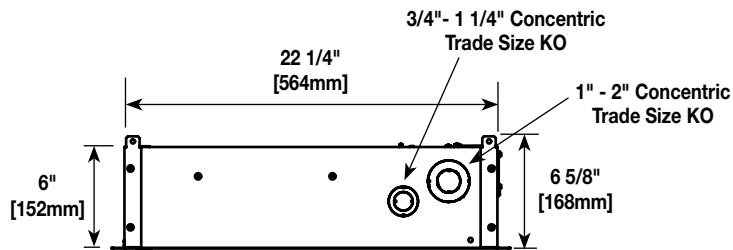
ECB2S-RLNK

Evolution Series Ceiling Box – Fully finished enclosure designed to manage and store A/V equipment in an air handling plenum space above a false or hard ceiling. These boxes are also equipped with the RackLink system, by Middle Atlantic Products. Box comes equipped with:



- four (4) mounting tabs for securing the box via braided cable (not included)
- four (4) 3/8" knockout locations for threaded rod supports
- one (1) RackLink controlled power module that allows for the ceiling box and all of the A/V contents to be monitored and controlled locally or from a remote location
- four (4) 20A controlled receptacles evenly spaced and rotated for large plugs (i.e. wall warts)
- two (2) 20A uncontrolled receptacles evenly spaced and rotated for large plugs (i.e. wall warts)
- one (1) 120mm x 120mm, 120VAC, 49 CFM/28 dBA AC fan
- one (1) easy to remove, pivotable and repositionable shelf
- one (1) easy to remove door that utilizes the ceiling tile for better aesthetics
- knockouts ranging from 1/2" to 2" trade size
- two (2) single-gang locations for additional receptacles, communication, or A/V devices
- one (1) cover tether cord

Made In USA



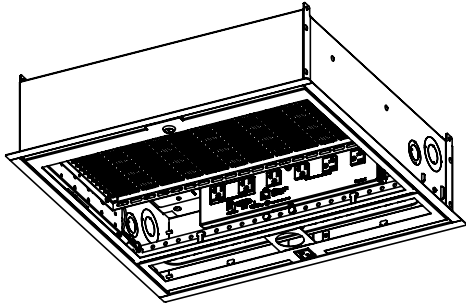
Evolution Series Ceiling Box Ordering Information (continued)

Catalog No./Item

Description/Specifications

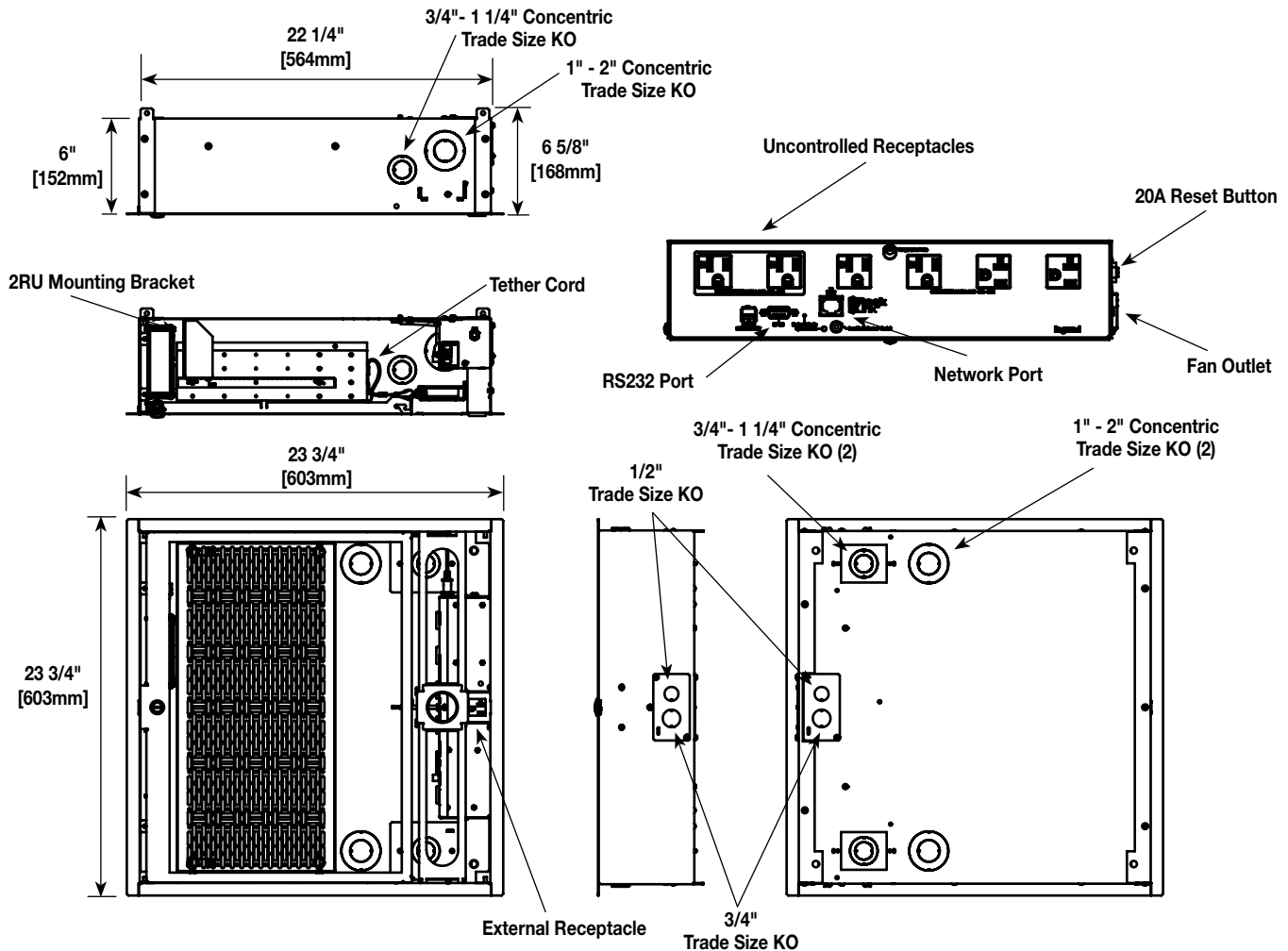
ECB2SP-RLNK

Evolution Series Ceiling Box – Fully finished enclosure designed to manage and store A/V equipment in an air handling plenum space above a false or hard ceiling. These boxes are also equipped with the RackLink system, by Middle Atlantic Products. The ECB2SP-RLNK has a built in projector mount that utilizes a 1 1/2" standard NFS fitting and is rated to support a load up to 50 lbs. The projector mount can move laterally and be positioned anywhere along the track. The Box comes equipped with:

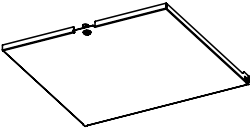

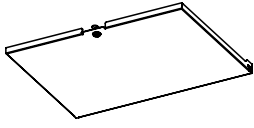
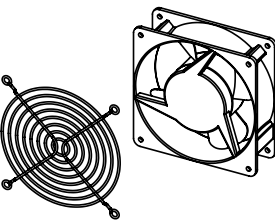
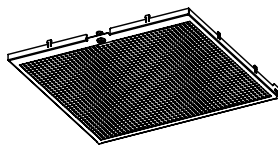
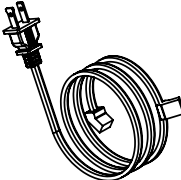
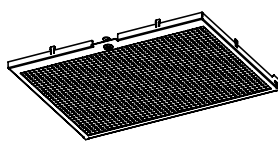
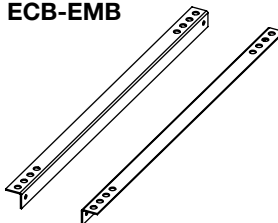


- one (1) projector mount
- four (4) mounting tabs for securing the box via braided cable (not included)
- four (4) 3/8" knockout locations for threaded rod supports
- one (1) RackLink controlled power module that allows the ceiling box and all of the A/V contents to be monitored and controlled from a remote location
- four (4) 20A controlled receptacles evenly spaced and rotated for large plugs (i.e. wall warts)
- two (2) 20A uncontrolled receptacles evenly spaced and rotated for large plugs (i.e. wall warts)
- one (1) 20A external receptacle for the projector
- one (1) 120mm x 120mm, 120VAC, 49 CFM/28 dBA AC fan
- one (1) easy to remove, pivot and reposition shelf
- one (1) easy to remove door that utilizes the ceiling tile for better aesthetics
- knockouts ranging from 1/2" to 2" trade size
- two (2) single gang locations for additional receptacles, communication, or A/V devices
- one (1) cover tether cord

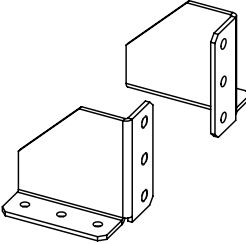
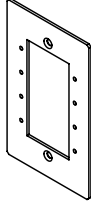
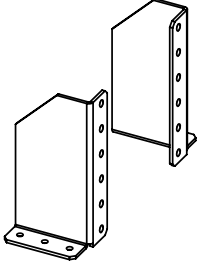
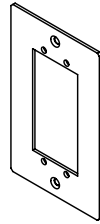
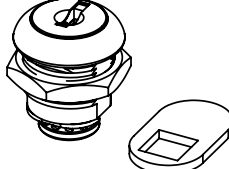
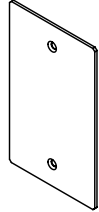
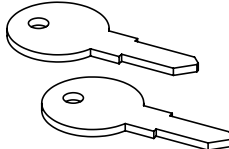
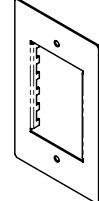
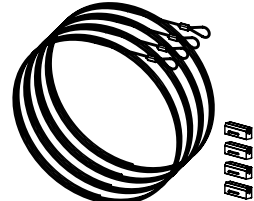
Made In USA



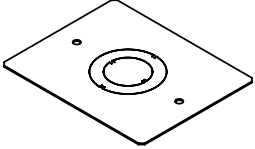
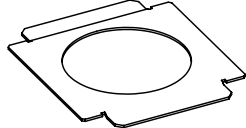
Evolution Series Ceiling Box Parts & Accessories Ordering Information

| Catalog No./Item | Description/Specifications | Catalog No./Item | Description/Specifications |
|---|--|--|---|
| ECB-SD  | Solid Panel – Designed to provide a solid secure panel to protect the audio/video equipment loaded within the enclosure. Panel is designed to work with the ECB2S, ECB2S-CR, and ECB2S-RLNK boxes and is powder coated white to match the enclosure. The panels are field paint-able to match the room decor. Includes a lock and key. | ECB-SHELF  | Additional Shelving – When more capacity is required an additional shelf can be purchased. The shelf is made of steel and has a unique pattern that has been specifically designed to accept most audio/video devices. The shelf is powder coated white and equipped with quick release tabs which allow the shelf to pivot both forward and backward, and be easily and quickly installed or removed. |
| ECB-SPD  | Solid Panel – Designed to provide a solid secure panel to protect the audio/video equipment loaded within the enclosure. Panel is designed to work with the ECB2SP, ECB2SP-CR, and ECB2SP-RLNK boxes and is powder coated white to match the enclosure. The panels are field paint-able to match the room decor. Includes a lock and key. | ECB-FAN  | Additional AC Fan – 120mm x 120mm 120 VAC, 49 CFM/28 dBA fan for use when additional air flow is required. Includes fan guard. |
| ECB-PD  | Perforated Panel – Designed to provide extra air flow into and out of the box allowing the audio/video equipment to remain as cool as possible. Panel is designed to work with the ECB2S, ECB2S-CR, and ECB2S-RLNK boxes and is powder coated white to match the enclosure. The panels are field paint-able to match the room decor. Includes a lock and key. | ECB-FC  | Replacement Fan Cord – Replacement fan cord, designed to fit into ECB-FAN. |
| ECB-PPD  | Perforated Panel – Designed to provide extra air flow into and out of the box allowing the audio/video equipment to remain cool. Panel is designed to work with the ECB2SP, ECB2SP-CR, and ECB2SP-RLNK boxes and is powder coated white to match the enclosure. The panels are field paint-able to match the room decor. Includes a lock and key. | ECB-EMB  | External Mounting Brackets – Steel mounts designed to be attached to the outside of the ceiling box and support the box with threaded 3/8" [9.5mm] diameter threaded rod. Two (2) brackets included. |

Evolution Series Ceiling Box Parts & Accessories Ordering Information (continued)

| Catalog No./Item | Description/Specifications | Catalog No./Item | Description/Specifications |
|--|---|--|--|
| ECB-1RUMB  | Rack Mount Brackets – Steel Brackets for securing a 1RU device. Includes 2 brackets. | EFB-MAAP  | Device Plate – holds four (4) Legrand AVIP device plates or Extron® Electronics MAAP devices. Device® plate dimensions: 2 3/4" x 4 1/2" [69mm x 114mm]. |
| ECB-2RUMB  | Rack Mount Brackets – Steel Brackets for securing a 1RU or 2RU device. Includes 2 brackets. | EFB-AAP  | Device Plate – holds two (2) Extron® Electronics AAP devices. Device® plate dimensions: 2 3/4" x 4 1/2" [69mm x 114mm]. |
| ECB-CLK  | Lock & Key Set – Standard quarter turn lock and key set, allows a standard ceiling enclosure to be retrofitted from the quarter turn latch to a locking option. Works with the ECB2S, ECB2SP, ECB2S-CR, ECB2SP-CR, ECB2S-RLNK, and ECB2SP-RLNK enclosures. | EFB-B  | Blank Device Plate – Device plate dimensions: 2 3/4" x 4 1/2" [69mm x 114mm]. |
| ECB-KEY  | Replacement Keys – Replacement or additional keys for the lock sets. All keys are the same for all boxes. | EFB-MOS  | Device Plate – European device plate accepts up to [45mm x 67.5mm] Arteor device. Device plate dimensions: 2 3/4" x 4 1/2" [69mm x 114mm]. |
| ECB-CBKIT  | Cable Kits – Used to support Evolution Series Ceiling box to building structure. | | |

Evolution Series Ceiling Box Parts & Accessories Ordering Information (continued)

| Catalog No./Item | Description/Specifications | Catalog No./Item | Description/Specifications |
|--|---|--|--|
| ECB-KO  | Knockout Plate – Interchangeable plate with a 3/4" & 1 1/4" concentric trade size knockouts. | ECB-PTP  | Projector Trim Plate – Cleans up projector installation leaving a more aesthetic finished look. |



Electrical Wiring Systems

60 Woodlawn Street
West Hartford, CT 06110
Phone: 1.877.BY.LEGRAND (295-3472)
www.legrand.us

570 Applewood Crescent
Vaughan, Ontario L4K 4B4
Phone: 905.738.9195
www.legrand.ca

