

DIGITAL TIME SWITCH

| TS-400



Description

The IntelliSwitch TS-400 series digital time switches automatically turn lights off after a preset time. The simple pushbutton operation provides users with convenient time out lighting control without the nuisance of twist timers.

Operation

The TS replaces an existing wall switch. The TS-400 operates between 100 and 300 volts. Pressing the TS's on/off button turns lights on. The lights will remain on for the duration of the time-out setting which is adjustable from 5 minutes to 12 hours. Lights can be turned off before the time-out setting expires by pressing the on/off button. Also, the unit can be reset at any time by holding down the on/off button for 2 seconds. This will bring the timer back to its original time out setting and restart the countdown.

Features

- Time-out settings range from 5 minutes to 12 hours for flexibility in fitting many applications
- Optional flash and beep warnings allow time to reset the switch if someone is present
- Time scroll option provides temporary override of the preset time out period
- Simple reset feature for returning the switch to its original preset time-out setting
- Electroluminescent back-lit LCD shows timer countdown
- Terminal style wiring simplifies installation
- Zero crossing reduces stress on the relay and increases product longevity
- Pushbutton programming gives the TS an easy set up process
- Setting the time-out for 2 hours and time scroll to down allows Title 24 compliance for using override switches
- Compatible with decorator wall plates

Time Scroll Overrides

The time scroll option allows users to temporarily override the time out setting without adjusting the settings. Time scroll is selected with the calibration button. With time scroll programmed to "UP", lights can be held on longer than the time out period. With time scroll programmed to down "DN", lights can be turned off sooner than the time out period. Pressing the on/off switch for more than 4 seconds causes the timer to scroll in the set direction throughout the possible time out settings..

Applications

The TS is an ideal lighting control choice in equipment rooms, storage areas, and closets.

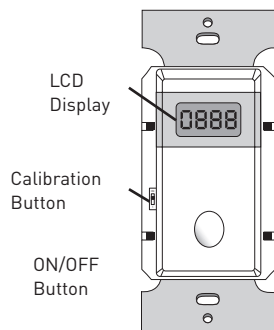
PROJECT		LOCATION/ TYPE	
---------	--	-------------------	--

Specifications

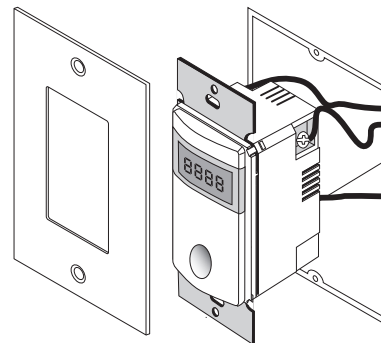
- TS-400: 120/277VAC; 50/60 Hz
- Time-out adjustments range from 5 minutes to 12 hours (5 minute increments to 1 hour, then 15 minute increments to 12 hours)
- Optional visual warning: flashes lights at 5 minutes and 1 minute prior to time-out
- Optional audible warning: beeps every 5 seconds at 1 minute prior to time-out
- No minimum load requirement
- Compatible with all electronic ballasts, ELV, MLV, LED, and motor loads
- Dimensions: 2.66" x 1.79" x 1.76" (67.5mm x 45.5mm x 44.7mm)
- UL and cUL listed
- Five year warranty

Controls & Installation

Product Controls

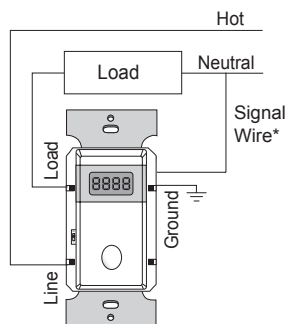


Installation

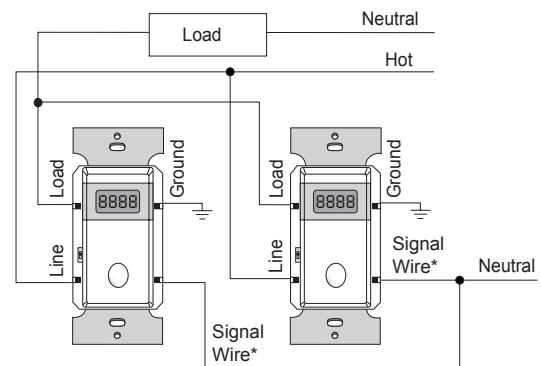


Wiring

TS-400 Single Level Lighting



TS-400 3-Way Lighting



*Signal Wire (Blue with White Stripe) connects to Neutral. For a replacement or retrofit application, it can connect to Ground.

When using a three-way application, lights may be turned on from either switch, but can only be turned off at the switch that turned them on.

Ordering Information

Catalog #	Color	Voltage	Load Rating
<input type="checkbox"/> TS-400-W	White	120VAC, 50/60Hz or 277VAC, 50/60Hz	0-800W ballast or 0-1200W ballast
<input type="checkbox"/> TS-400-I	Ivory		
<input type="checkbox"/> TS-400-LA	Lt. Almond		
<input type="checkbox"/> TS-400-B	Black		
<input type="checkbox"/> TS-400-G	Gray		

Order wallplates separately.