

LOW VOLTAGE DIGITAL TIME SWITCH

| TS-400-24



Description

The IntelliSwitch TS-400 series digital time switches automatically turn lights off after a preset time. The simple pushbutton operation provides users with convenient time out lighting control without the nuisance of twist timers.

Operation

The TS-400-24 operates at 24VDC/VAC. Pressing the TS's on/off button turns lights on. The lights will remain on for the duration of the time-out setting which is adjustable from 5 minutes to 12 hours. Lights can be turned off before the time-out setting expires by pressing the on/off button. Also, the unit can be reset at any time by holding down the on/off button for 2 seconds. This will bring the timer back to its original time out setting and restart the countdown.

Features

- Time-out settings range from 5 minutes to 12 hours for flexibility in fitting many applications
- Optional flash and beep warnings allow time to reset the switch if someone is present
- Time scroll option provides temporary override of the preset time out period
- Simple reset feature for returning the switch to its original preset time-out setting
- Electroluminescent back-lit LCD shows timer countdown
- Terminal style wiring simplifies installation
- Zero crossing reduces stress on the relay and increases product longevity
- Pushbutton programming gives the TS an easy set up process
- Setting the time-out for 2 hours and time scroll to down allows Title 24 compliance for using override switches
- Compatible with decorator wall plates

Time Scroll Overrides

The time scroll option allows users to temporarily override the time out setting without adjusting the settings. Time scroll is selected with the calibration button. With time scroll programmed to "UP", lights can be held on longer than the time out period. With time scroll programmed to down "DN", lights can be turned off sooner than the time out period. Pressing the on/off switch for more than 4 seconds causes the timer to scroll in the set direction throughout the possible time out settings.

Applications

The TS is an ideal lighting control choice in equipment rooms, storage areas, and closets. The switch can also be used as an HVAC override or to control heat lamps in hotel guest rooms. The low voltage TS-400-24 can switch loads that exceed the ratings of standard wall switches and can be used in locations where high voltage wiring in walls is prohibited. Also, when used with a Wattstopper power pack, the TS-400-24 can control lighting and motor loads.

PROJECT

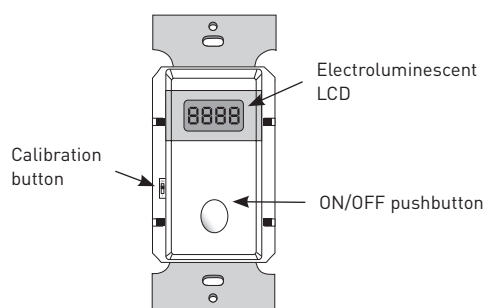
LOCATION/
TYPE

Specifications

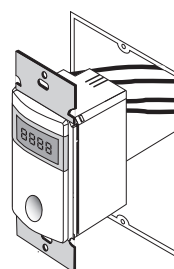
- TS-400-24: 24VAC/VDC/VAC half-wave rectified input; current draw is 12 mA DC, 41 mA AC
- Time-out adjustments range from 5 minutes to 12 hours (5 minute increments to 1 hour, then 15 minute increments to 12 hours)
- Optional visual warning: flashes lights at 5 minutes and 1 minute prior to time-out
- Optional audible warning: beeps every 5 seconds at 1 minute prior to time-out
- TS-400-24 contains single-pole, double-throw isolated relay rated for 1A @ 30VDC
- No minimum load requirement
- Compatible with all electronic ballasts and motor loads
- Dimensions: 2.66" x 1.79" x 1.76" (67.5mm x 45.5mm x 44.7mm)
- UL and cUL listed
- Five year warranty

Controls & Installation

Product Controls



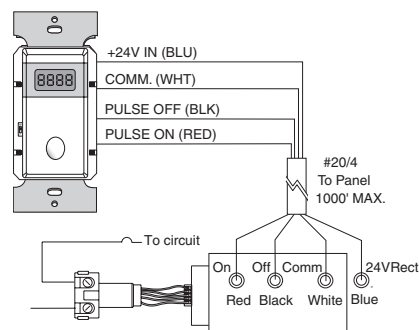
Installation



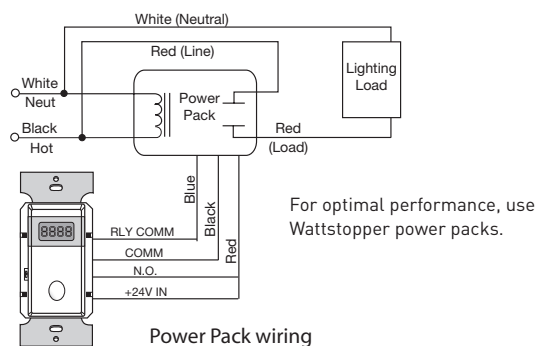
TS-400-24

Wiring

TS-400-24 with Lighting Control Panel



TS-400-24 with Power Pack



Ordering Information

Catalog #	Color	Voltage	Load Rating
<input type="checkbox"/> TS-400-24-W	White	24 VAC/VDC/VAC rect.	Current: 12 mA; DC / 41 mA AC
<input type="checkbox"/> TS-400-24-I	Ivory		
<input type="checkbox"/> TS-400-24-A	Lt. Almond		
<input type="checkbox"/> TS-400-24-B	Black		
<input type="checkbox"/> TS-400-24-G	Grey		

Order wallplates separately. The TS-400-24 works with Wattstopper power packs.