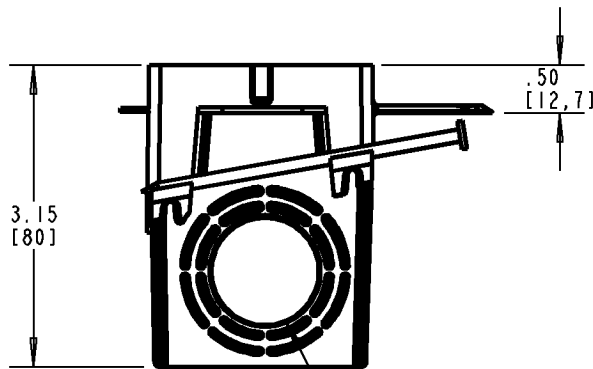
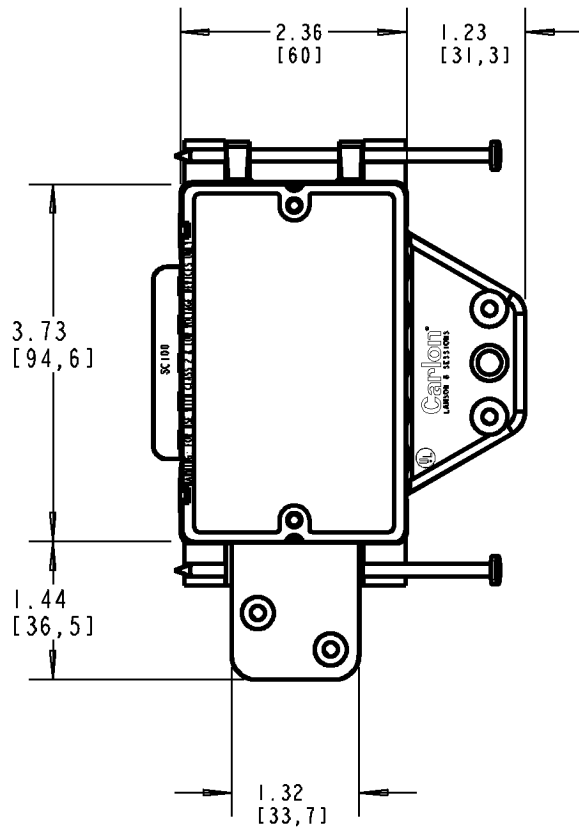
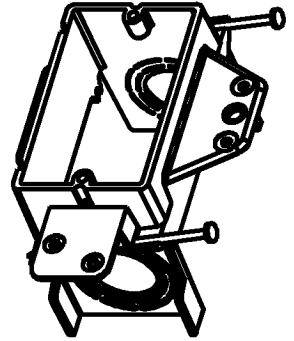


Carlom®



HOLE FOR 3/4" FITTING
KNOCKOUTS FOR 1" & 1-1/4" FITTINGS

P/N SC100A

GENERAL NOTES

1. ALL DIMENSIONS ARE FOR REFERENCE ONLY.
2. DIMENSIONS IN BRACKETS [] ARE IN METRIC UNITS.

REVISIONS

*** SEE ERN (****) FOR APPROVAL SIGNATURES & RELEASE DATE.
PROJECT NO: ****

Thomas & Betts
www.tnb.com

DESCRIPTION:

**SINGLE GANG
OPEN BACK BRACKET**

ORIGINAL PROJECT NO / (ERN NO)

/ ()

SHEET NO:

1 OF 1

REV. NO:

B

DRAWING NO:

WSD-AC04002