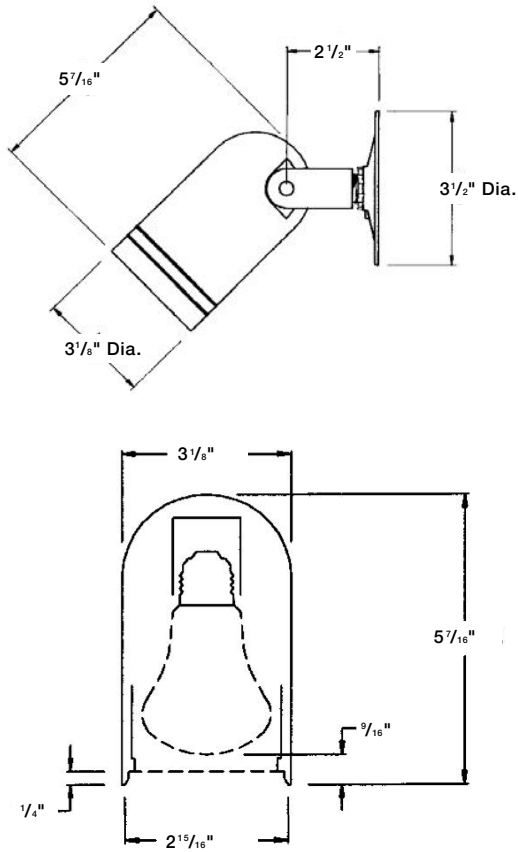


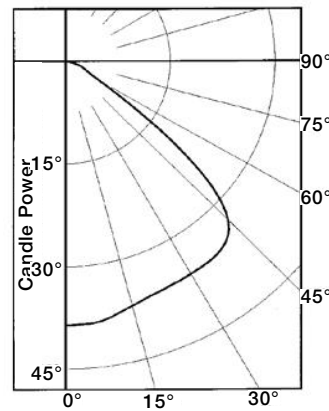
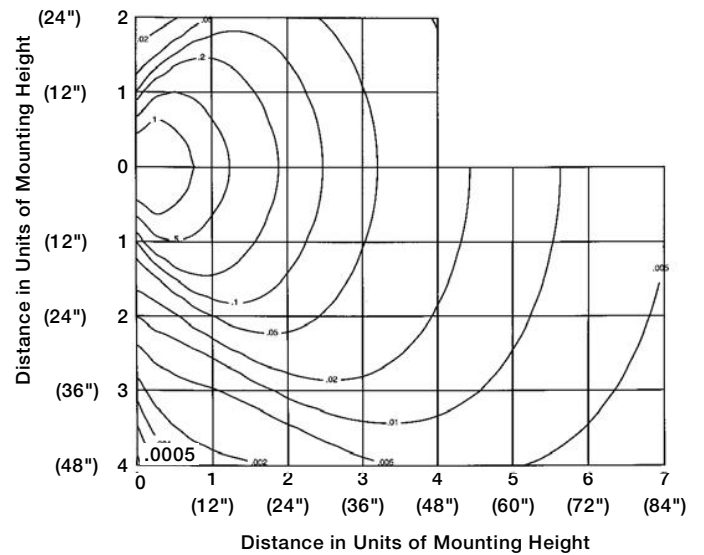
Outdoor lighting K861BR specifications

Dimensions



ISO foot candles

- Values based on 8 (96") foot mounting height and a 100-watt 1321-lumen lamp tilted 45°



Zonal lumen summary

Zone deg.	Lumens	Percent of lamp output based on 400 lumens	Percent of total output
0-30	103	7.8	32.4
0-40	177	13.4	56.0
0-60	301	22.8	94.9
0-90	317	24.0	100.0
90-180	0	0.0	0.0
0-180	317	24.0	100.0

Note: Total luminaire efficiency=11.6%.

Deg	Candela	Lumens
0	128	—
5	128	12
15	123	35
25	120	56
35	119	75
45	109	83
55	44	41
75	5	5
85	0	0
90	0	—