

Issue Date: 10/29/2012

Page: 1 of 2

File: PSS-K656DR

15/25kV	600A Deadbreak Insulated Cap	w/o Ground	K656DR
---------	------------------------------	------------	--------



Features:

- 15/25kV, 600 Amp Deadbreak Rated
- Molded EPDM Rubber
- Provision for ground wire connection
- Provision for hotstick operation

K656DR Deadbreak Insulated Cap (with Test Point and Stud)

Applications:

The Elastimold® insulated cap is designed to insulate, shield, and water seal 15/25kV, 600 Amp IEEE Std. 386 bushing interfaces. Units have a capacitance test point which can be used to check if the system is energized. A threaded stud attachment is standard.

Ratings:

Meets ANSI/IEEE Standard 386, Latest Revision

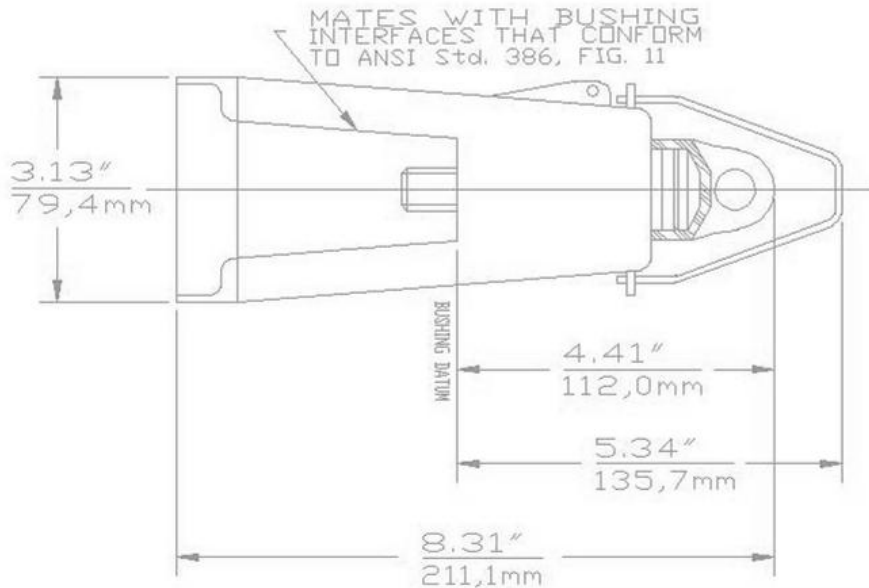
For 15kV Voltage Class:

8.3kV Max Phase-to-Ground – Operating Voltage
 14.4kV Max Phase-to-Phase
 95kV BIL – Impulse Withstand (1.2 x 50 microsecond wave)
 34kV AC – One minute withstand
 53kV DC – 15 minutes withstand
 11kV AC – Corona Extinction @ 3pC sensitivity
 200 Amp – Continuous and Loadbreak
 25kA Sym – 10 Cycles Momentary

For 28kV Voltage Class:

16.2kV Max Phase-to-Ground – Operating Voltage
 28kV Max Phase-to-Phase
 140kV BIL – Impulse Withstand (1.2 x 50 microsecond wave)
 45kV AC – One minute withstand
 84kV DC – 15 minutes withstand
 21.5kV AC – Corona Extinction @ 3pC sensitivity
 600 Amp – Continuous
 25kA Sym – 10 Cycles Momentary

15/25kV	600A Deadbreak Insulated Cap	w/o Ground	K656DR
---------	------------------------------	------------	--------



Ordering Instructions:

To order, specify number **K656DR** insulating cap.

Each kit contains the following:

1	Insulated Cap	K656DR
1	Stud	650SA
1	Lubricant	82-08
1	Installation Instruction	IS-0366

Notes:

- Available without the stud by adding "N" to the part number
- Available with the stud factory-assembled by adding "SP" to the part number