

15/25kV	600A Deadbreak Insulating Plug	w/Test Point	K650BIP
---------	--------------------------------	--------------	---------



Features:

- Fully rated 15/25kV, 600 Amp Deadbreak Insulating Plug
- Can be easily connected or disconnected using standard hand tools and equipment in a de-energized state
- Hex Nut serves as a Capacitive Test Point

K650BIP Insulating Plug

Applications:

The K650BIP, 15/25kV basic insulating plug attaches and insulates Elastimold® K655/6BLR, K655BE and K655BVS 600 A connectors. It is equipped with a capacitive test point and a molded rubber sealing cap as standard.

Ratings:

Meets ANSI/IEEE Standard 386, Latest Revision

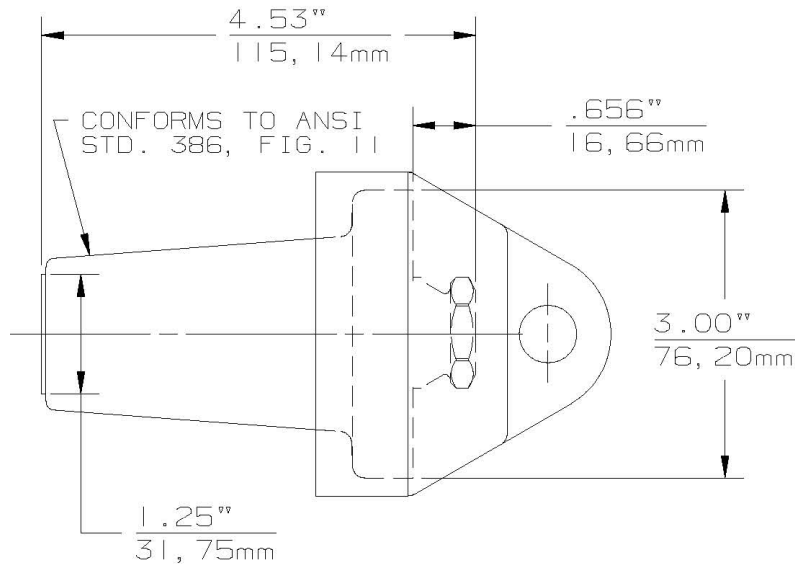
For 15kV Voltage Class:

8.3kV Max Phase-to-Ground – Operating Voltage
 14.4kV Max Phase-to-Phase
 95kV BIL – Impulse Withstand (1.2 x 50 microsecond wave)
 34kV AC – One minute withstand
 53kV DC – 15 minutes withstand
 11kV AC – Corona Extinction @ 3pC sensitivity
 600 Amp – Continuous
 25kA Sym – 10 Cycles Momentary

For 28kV Voltage Class:

16.2kV Max Phase-to-Ground – Operating Voltage
 28kV Max Phase-to-Phase
 140kV BIL – Impulse Withstand (1.2 x 50 microsecond wave)
 45kV AC – One minute withstand
 84kV DC – 15 minutes withstand
 21.5kV AC – Corona Extinction @ 3pC sensitivity
 600 Amp – Continuous
 25kA Sym – 10 Cycles Momentary

15/25kV	600A Deadbreak Insulating Plug	w/Test Point	K650BIP
---------	---------------------------------------	--------------	----------------



Ordering Instructions:

To order 15/25kV, 600A insulating plug, specify **K650BIP**.

Each kit contains the following:

1	Insulating Plug w/ Cap	K650BIP
1	Tube, lubricant	82-08
1	Installation Instruction	IS-0230

Example:

The ordering number for a 600 Amp insulating plug is K650BIP.