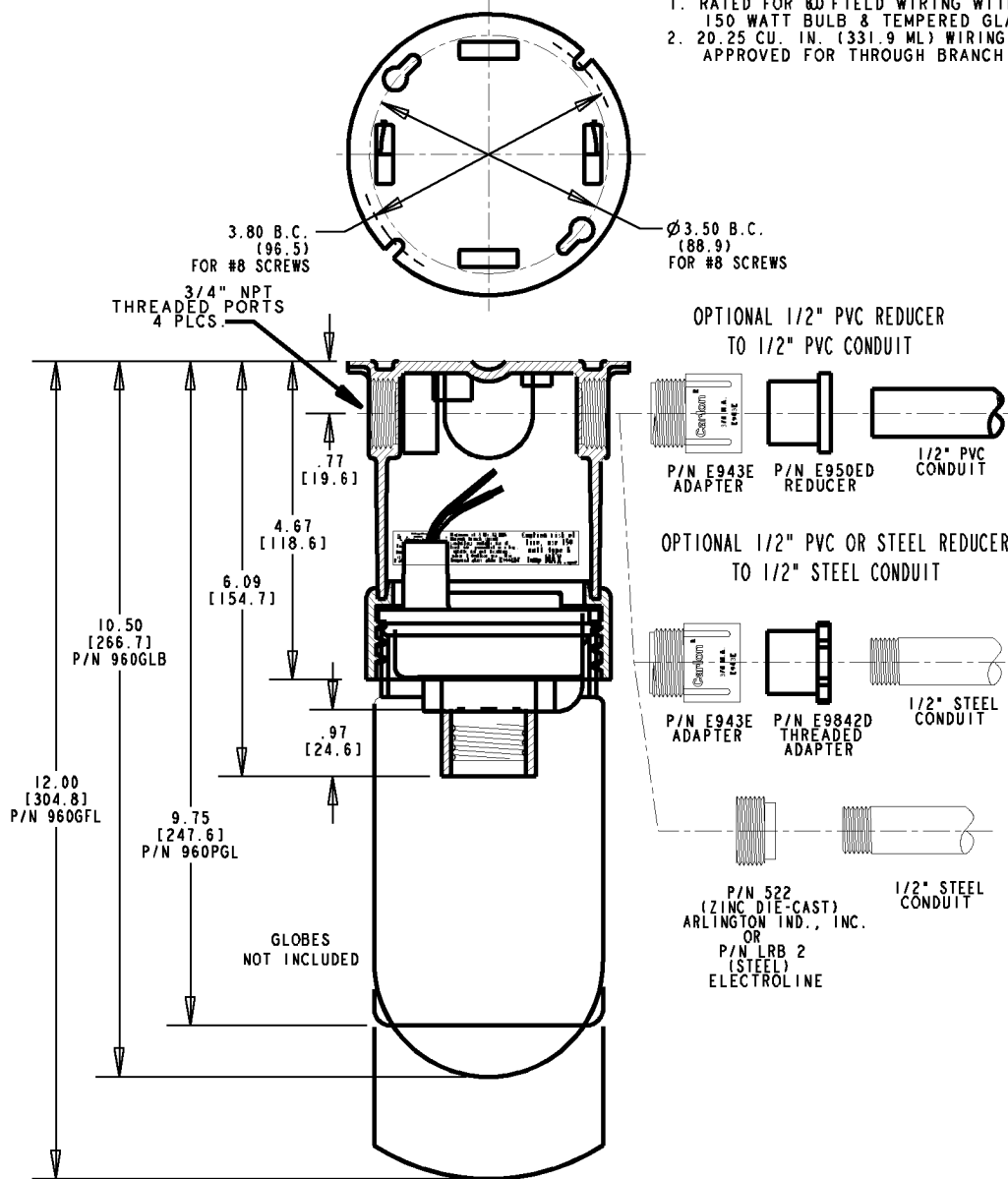


# Carlton®

**NOTES:**

1. RATED FOR 800 FIELD WIRING WITH 150 WATT BULB & TEMPERED GLASS GLOBE.
2. 20.25 CU. IN. (331.9 ML) WIRING SPACE, APPROVED FOR THROUGH BRANCH WIRING.



PART NO.	COMPONENT DESCRIPTION	MAXIMUM LAMP SIZE	
		INCANDESCENT	COMPACT FLUORESCENT
E960GLB	STD. 6" (152.4) DOMED GLASS GLOBE	A21, MED. BASE, 100 WATTS	4.75" (120.7) OVERALL HT. X 2.8" (71.1) WIDE, MED. BASE
E960PGL	STD. 6" (152.4) FLAT TOP POLYCARBONATE GLOBE	A19, MED. BASE, 60 WATTS	4.38" (111.3) OVERALL HT. X 2.8" (71.1) WIDE, MED. BASE
E960GFL	8-1/4" (209.6) POLYCARBONATE GLOBE (FLUORESCENT LAMP)	NOT APPLICABLE	6.5" (165.1) OVERALL HT. X 2.8" (71.1) WIDE, MED. BASE

<b>GENERAL NOTES</b>	
1. ALL DIMENSIONS ARE FOR REFERENCE ONLY.	
2. DIMENSIONS IN BRACKETS [ ] ARE IN METRIC UNITS.	
<b>REVISIONS</b>	
**	SEE ERN (****) FOR APPROVAL SIGNATURES & RELEASE DATE. PROJECT NO: ****

**Thomas & Betts**  
www.tnb.com

DESCRIPTION: **WEATHER RESISTANT LAMP ASSEMBLY**

ORIGINAL PROJECT NO / ( ERN NO )	SHEET NO:	REV. NO:	DRAWING NO:
/ ( )	1 OF 1	E	WSD-AC02881