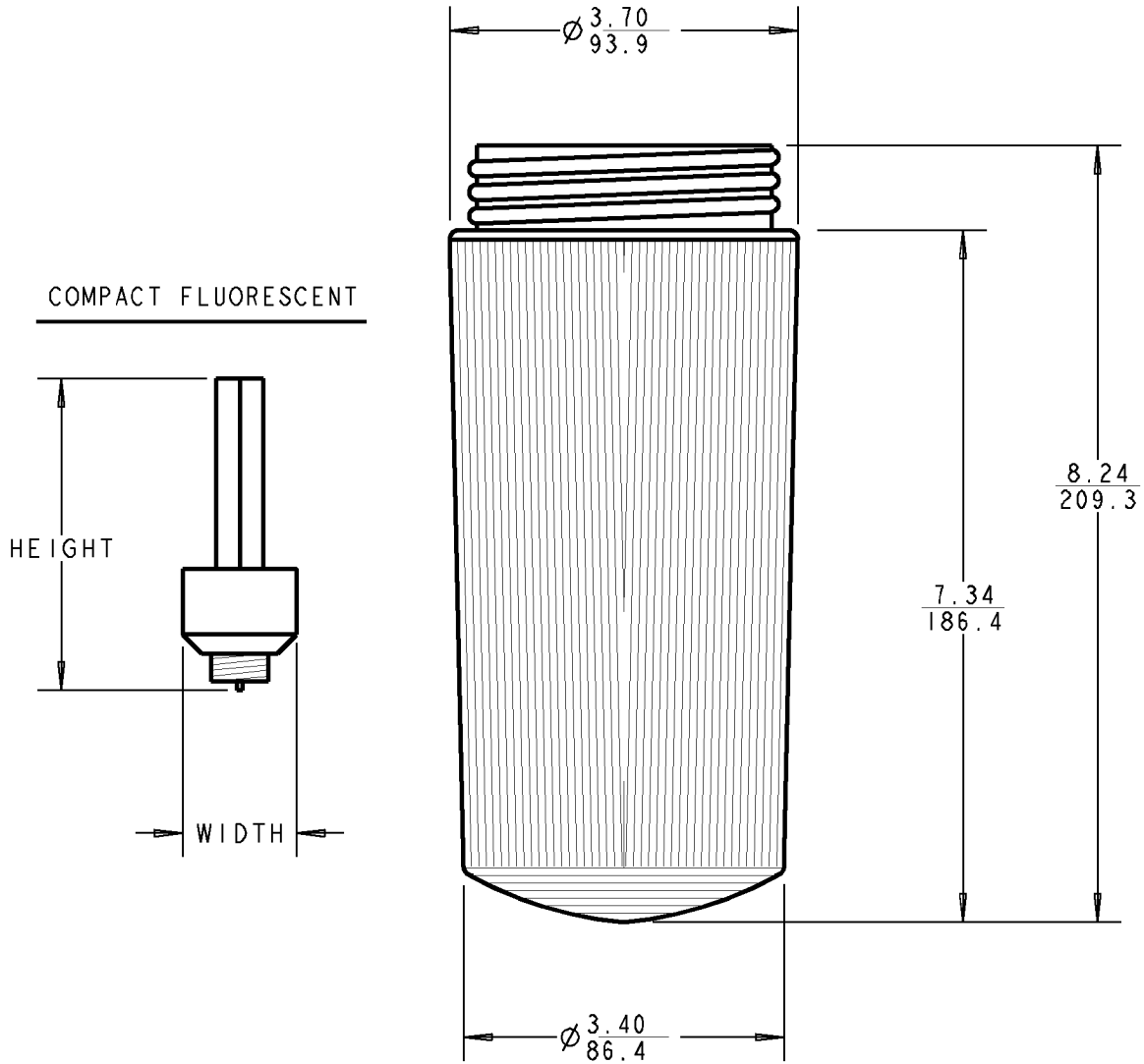



# Carlton®



MAXIMUM LAMP SIZE	
INCANDESCENT	COMPACT FLUORESCENT
NOT APPLICABLE	6.5" HEIGHT, 2.8" WIDTH, MED. BASE

P/N E960GFL

GENERAL NOTES		 www.tnb.com			
1. ALL DIMENSIONS ARE FOR REFERENCE ONLY. 2. DIMENSIONS IN BRACKETS [ ] ARE IN METRIC UNITS.					
REVISIONS		ORIGINAL PROJECT NO / ( ERN NO )	SHEET NO:	REV. NO:	DRAWING NO:
*** SEE ERN ( **** ) FOR APPROVAL SIGNATURES & RELEASE DATE. PROJECT NO: ****		/ ( )	1 OF 1	B	<b>WSD-AC02618</b>