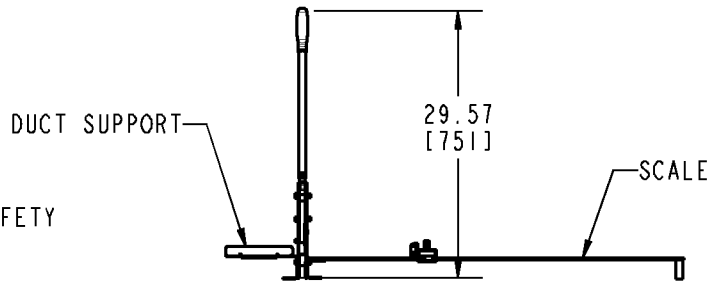
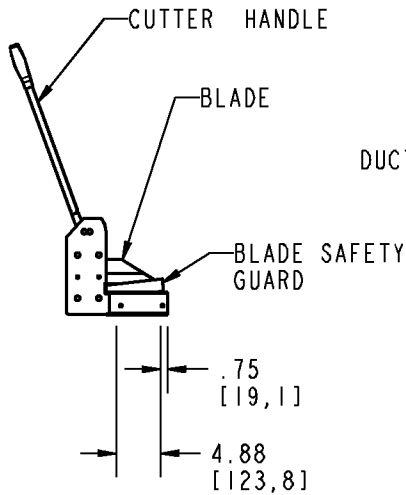
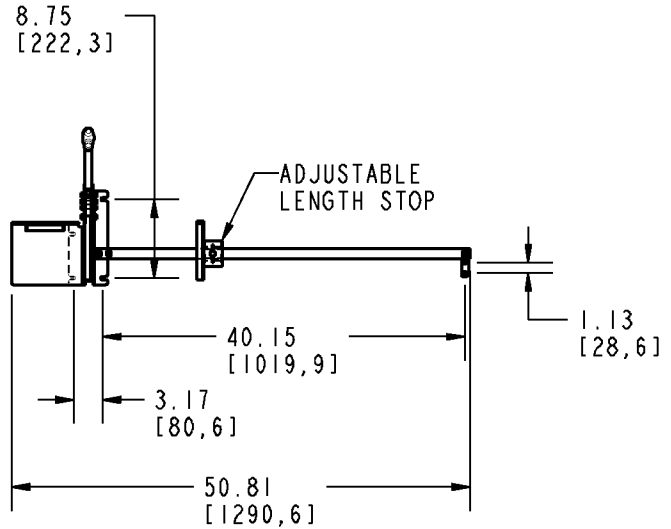
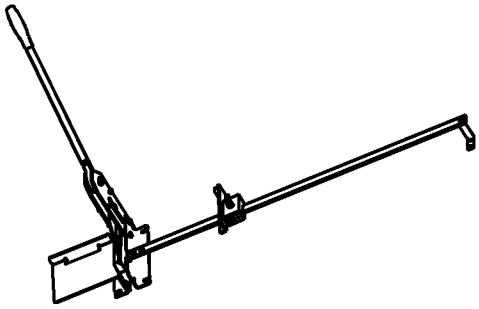



Ty-Duct™



CAT. NO. **DC125TB**

APPLICATION:

1. TOOL IS DESIGNED TO CUT PLASTIC WIRING DUCT AND DUCT COVER ONLY.
2. TOOL MUST BE MOUNTED TO A FIXED SURFACE FOR EFFICIENT AND SAFE USE.

GENERAL NOTES		 www.tnb.com			
1. ALL DIMENSIONS ARE FOR REFERENCE ONLY. 2. DIMENSIONS IN BRACKETS [] ARE IN METRIC UNITS.					
REVISIONS		DESCRIPTION: BENCH MOUNT DUCT CUTTER			
2 SEE ERN 2005923 FOR APPROVAL SIGNATURES & RELEASE DATE. PROJECT NO: FD55400					
ORIGINAL PROJECT NO / (ERN NO)		SHEET NO:	REV. NO:	DRAWING NO:	
FD55439 / (2001503)		1 OF 1	2	WSD-000008	