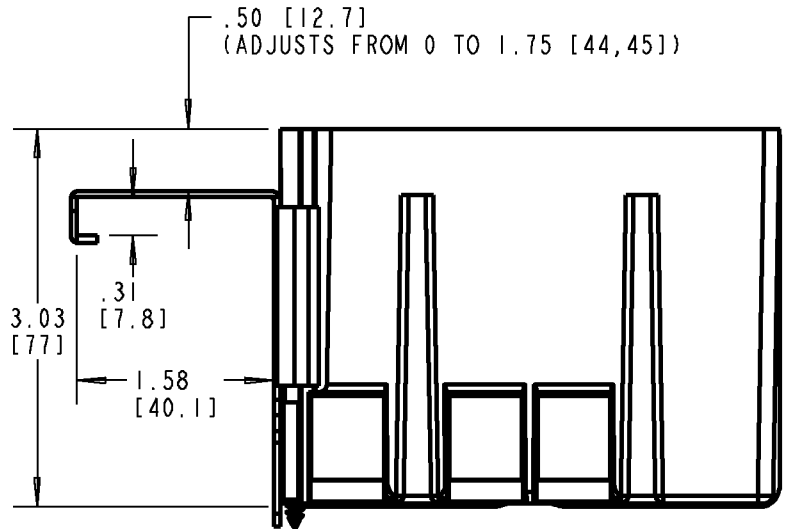
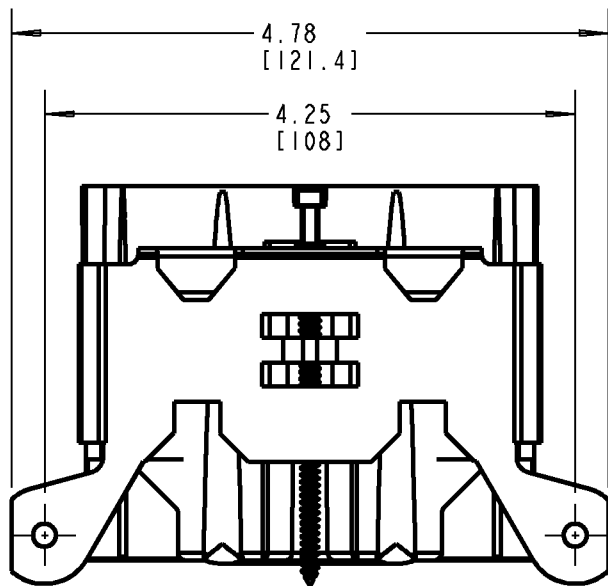
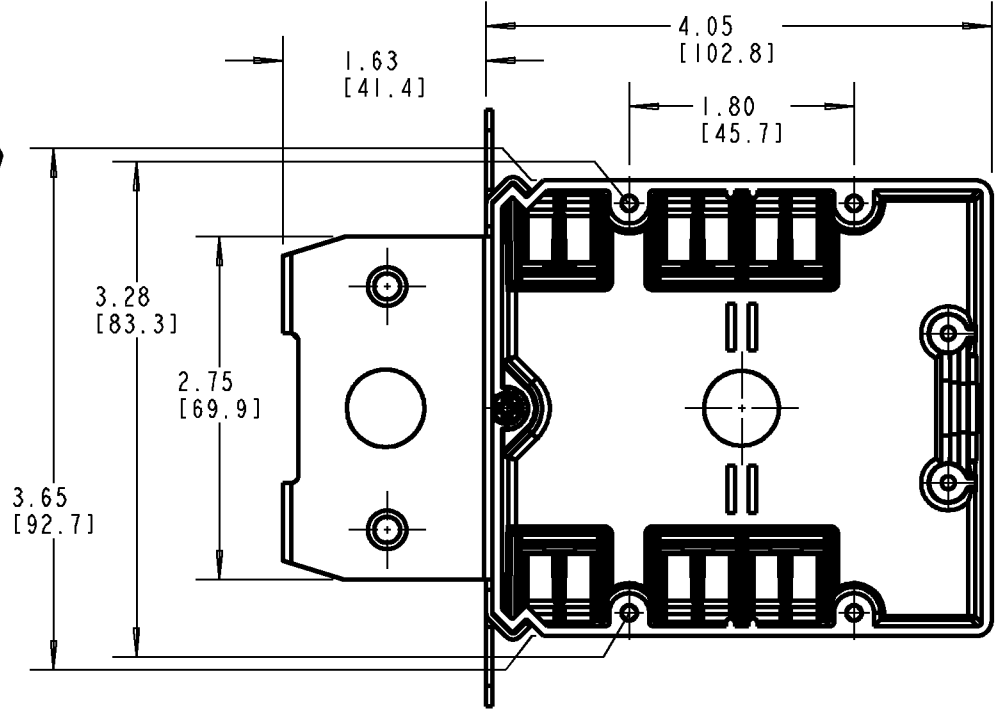
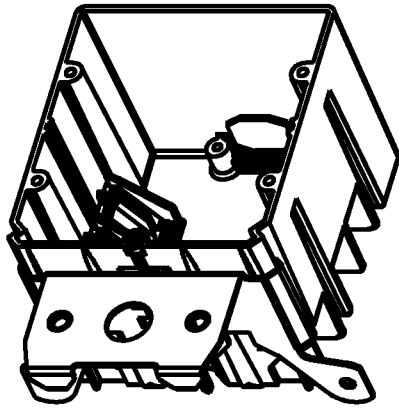


Carlton®



NOTE:

THE ADJUST-A-BOX STEEL BRACKET IS DESIGNED TO BE USED ON EITHER STANDARD 2X4 WOOD STUDS (1 1/2" x 3 1/2") OR METAL STUDS WITH THOSE SAME DIMENSIONS.

P/N B234ADJ

GENERAL NOTES

1. ALL DIMENSIONS ARE FOR REFERENCE ONLY.
2. DIMENSIONS IN BRACKETS [] ARE IN METRIC UNITS.

REVISIONS

B SEE ERN 2014282 FOR APPROVAL SIGNATURES & RELEASE DATE.
PROJECT NO: NM400330

Thomas & Betts
www.tnb.com

DESCRIPTION: **2 GANG ADJUSTABLE OUTLET BOX ASSY.**

ORIGINAL PROJECT NO / (ERN NO)
/ ()

SHEET NO:
1 OF 1

REV. NO:
B

DRAWING NO:
WSD-AC08194