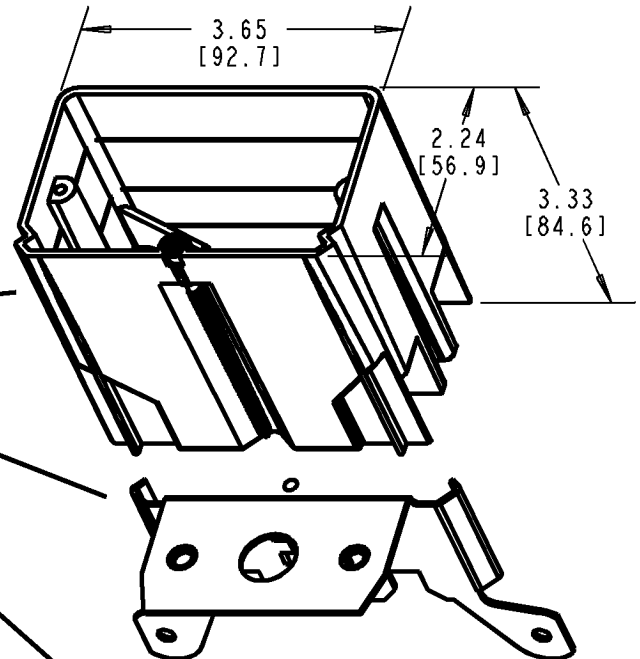
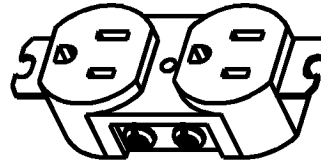
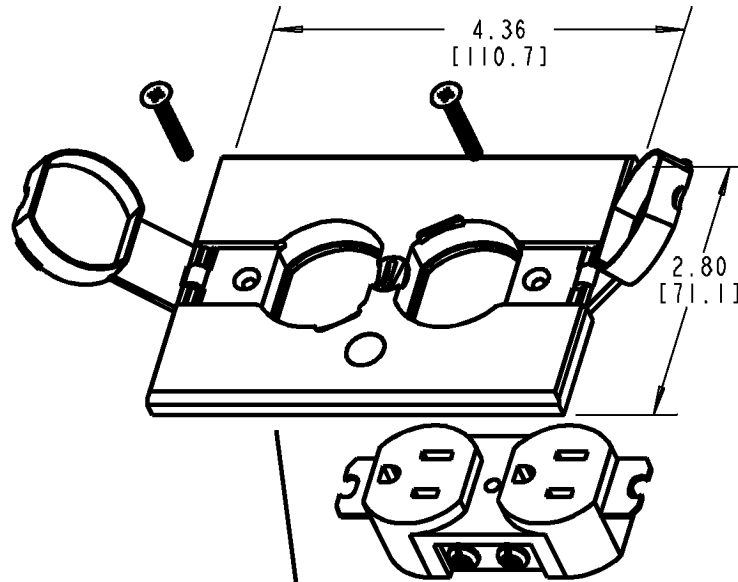


Carlton®



ADJUSTABLE FLOOR BOX KIT INCLUDES:

- UL LISTED FLOOR BOX COVER
- DUPLEX RECEPTACLE
- UL LISTED FLOOR BOX
- NEW WORK BRACKET
- OLD WORK BRACKET
- MOUNTING SCREWS
- INSTALLATION INSTRUCTIONS

B121BFBR	ADJ. FLOOR BOX KIT - BEIGE
B121BFBR	ADJ. FLOOR BOX KIT - IVORY
B121BFBRW	ADJ. FLOOR BOX KIT - WHITE
PART NO.	DESCRIPTION

GENERAL NOTES

1. ALL DIMENSIONS ARE FOR REFERENCE ONLY.
2. DIMENSIONS IN BRACKETS [] ARE IN METRIC UNITS.

REVISIONS

*** SEE ERN (****) FOR APPROVAL SIGNATURES & RELEASE DATE.
PROJECT NO: ****

Thomas & Betts
www.tnb.com

DESCRIPTION:

**ADJUSTABLE FLOOR BOX KIT
W/NON-METALLIC COVER**

ORIGINAL PROJECT NO / (ERN NO)

/ ()

SHEET NO:

1 OF 1

REV. NO:

B

DRAWING NO:

WSD-AC04239

THIS DRAWING IS INTENDED FOR DESCRIPTIVE PURPOSES ONLY. AND THE RIGHT IS RESERVED TO DEVIATE FROM ANY OF THE DETAILS SHOWN HEREON.

©2008 Thomas & Betts - Proprietary. All Rights Reserved