





Access Floor Modules

AFM-2 Series Access Floor Module — Non-Metallic Covers



AFM PANELS	POWER	
AFM-2-BLK GRY BRN BGE	 AFP-2A* <i>Single Duplex</i>	 AFP-2B <i>Blank</i>
DATA PANEL	ACCESSORIES	
 AFD-2 3RJ <i>3 T&B Omrijacks or Keystone-Style Jacks</i>	 AFT-2 <i>Power Tunnel</i> AFR-2** <i>Mounting Flange</i>	

* (1) supplied with box.

** Used to correct opening in floor. Not required for all installations.

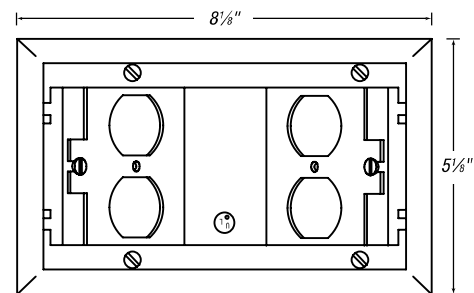
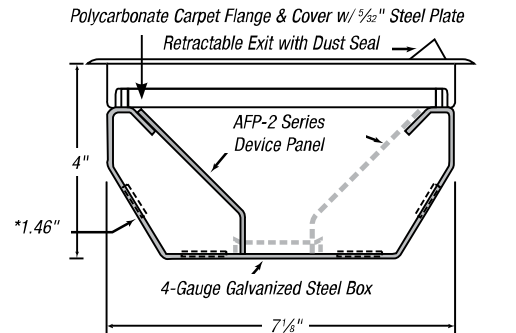
ACCESS FLOOR MODULE SIZE	AFM-2
AFM depth	4"
Access floor cut-out	7 $\frac{1}{8}$ " x 4 $\frac{1}{8}$ "
AFM cover size	6 $\frac{3}{4}$ " x 3 $\frac{3}{8}$ "
AFM cover access area	17 sq. in.
Box volume (less panels)	75 cu in.
Device compartment volume — 45° Power	16.2 cu in.
Base opening	—
Power panel included**	AFP-2A
Closure panel included	—
Cover/carpet flange material	Polycarbonate
Body material	14-ga. galvanized steel
Prewiring available	Yes*
Max. no. of device panels	2

* Special panels available — consult factory.

** Devices not included.

Available with black (-BLK), brown (-BRN), beige (-BGE) or gray (-GRY) cover flange.

Replacement covers: see 664 series covers on [page A-131](#).

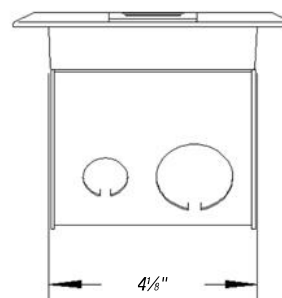
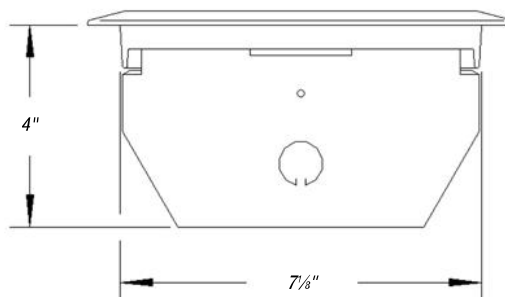
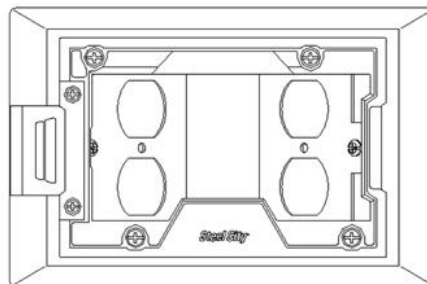


AFM-2

Shown with supplied power panel and optional panel (sold separately).

Access Floor Modules

AFM-2 Series Access Floor Module — Metallic Covers



AFM-2 Access Floor Module

ACCESS FLOOR MODULE SIZE	AFM-2
AFM depth	4"
Access floor cut-out	7 1/8" x 4 1/8"
AFM cover size	6 3/4" x 3 3/8"
AFM cover access area	17 sq. in.
Box volume (less panels)	75 cu in.
Device compartment volume	16.2 cu in.
Base opening	—
Power panel included**	AFP-2A
Closure panel included	—
Cover/carpet flange material	Brass, Aluminum
Body material	14-ga. galvanized steel
Prewiring available	Yes*
Max. no. of device panels	2

* Special panels available — consult factory.

** See **previous page** for device plates and accessories.

Replacement covers: see 664 Series covers on **page A-131**.

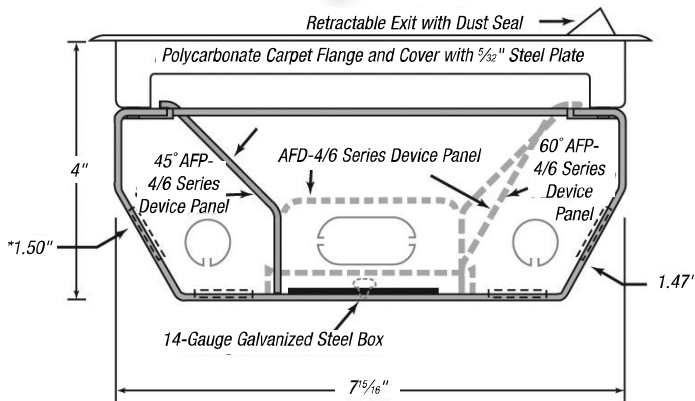
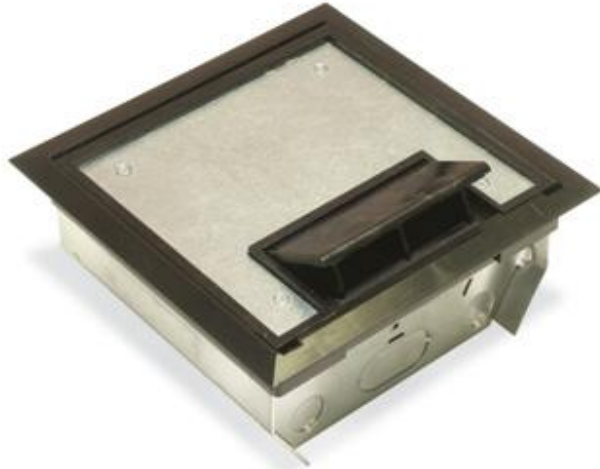
AFM-2 Series Raised Floor Boxes

CAT. NO.	DESCRIPTION	STD. CTN.
AFM-2-BRS	AFM-2 Raised Floor Box, 2 Compartment, Solid Brass Cover	1
AFM-2-ALM	AFM-2 Raised Floor Box, 2 Compartment, Solid Aluminum Cover	1

For additional device plate options see **previous page**.

Access Floor Modules

AFM-4 Series Access Floor Module — Non-Metallic Covers



ACCESS FLOOR MODULE SIZE		AFM-4
AFM Depth		4"
Access floor cut-out		7 ¹⁵ / ₁₆ " x 7 ¹⁵ / ₁₆ "
AFM cover size		7 ⁵ / ₈ " x 7 ⁵ / ₈ "
AFM cover access area		39 sq. in.
Box volume (less panels)		150 cu in.
Device compartment volume	45° power	27.3 cu in.
	60° power	25.2 cu in.
	Center data	20.6 cu in.
Base opening		2" x 2 ¹ / ₈ "
Power panel included**		AFP-4A
Closure panel included		AFC-C
Cover/carpet flange material		Polycarbonate
Body material		14-ga. galvanized steel
Prewiring available		Yes*
Max. no. of device panels		3

* Special panels available — consult factory.

** Devices not included.

Available with black (-BLK), brown (-BRN), beige (-BGE) or gray (-GRY) cover flange.

Replacement covers: see 665 Series covers on page A-135.

POWER PANELS

AFM-4-BLK GRY BRN BGE	AFP-4A* Single Duplex-45°	AFP-4A60 Single Duplex-60°	AFP-4GFCI Single GFCI-60°
	AFP-4B Blank-45°	AFP-4B60 Blank-60°	AFP-4-GFCI-45 Single GFCI-45°

* (1) supplied with box.

** Used to correct opening in floor. Not required for all installations.

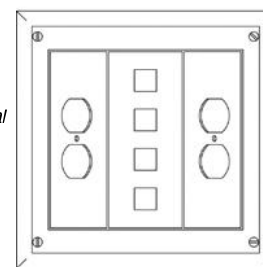
DATA PANELS

DATA PANELS		ACCESSORIES	
AFD-4A Single Duplex Data	AFD-4B Blank	AFT-46 Power Tunnel	AFT-4 Mounting Flange
AFD-4 4RJ Keystone Style Jacks	AFC-N Grommeted Closure Panel	AFM-4EX Extension Collar	

* (1) supplied with box.

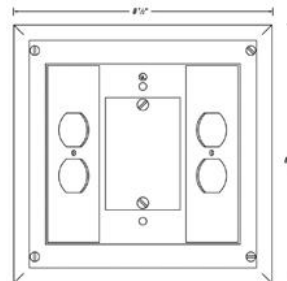
** Used to correct opening in floor. Not required for all installations.

Shown with Supplied Power Panel and Optional Data Panel and 45° Power Panel (sold separately).



45° Angle Plates

Shown with Optional 60° Panels (sold separately).



60° Angle Plates

Access Floor Modules

AFM-4 Series Access Floor Module — Metallic Covers



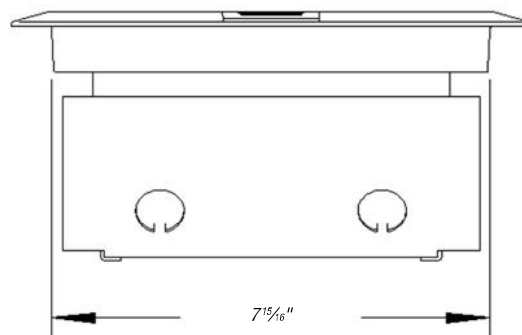
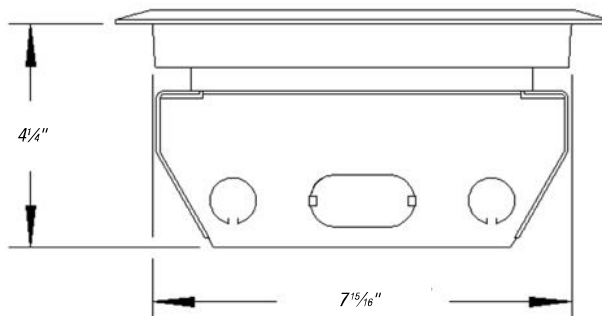
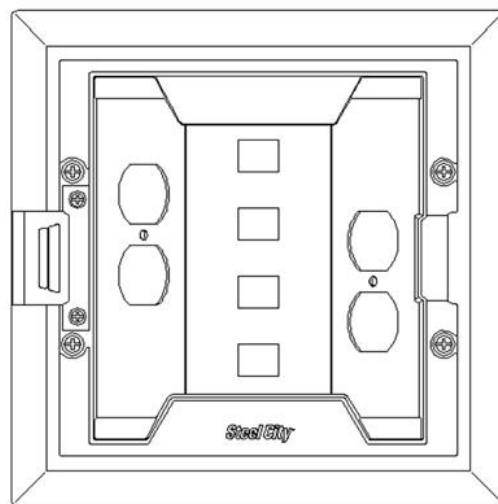
ACCESS FLOOR MODULE SIZE	AFM-4
AFM Depth	4"
Access floor cut-out	7 ¹⁵ / ₁₆ " x 7 ¹⁵ / ₁₆ "
AFM cover size	7 ⁷ / ₈ " x 7 ⁷ / ₈ "
AFM cover access area	39 sq. in.
Box volume (less panels)	150 cu in.
Device compartment volume	27.3 cu in. 25.2 cu in. 20.6 cu in.
Base opening	2" x 2 ⁷ / ₈ "
Power panel included**	AFP-4A
Closure panel included	AFC-C
Cover/carpet flange material	Brass, Aluminum
Body material	14-ga. galvanized steel
Prewiring available	Yes*
Max. no. of device panels	3

* Special panels available — consult factory.

** Devices not included.

See **previous page** for device plates and accessories.

Replacement covers: see 665 Series covers on **page A-135**.

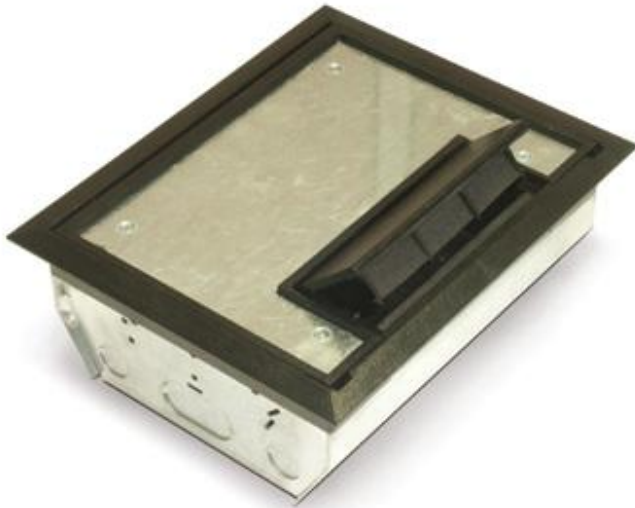


AFM-4 Series Raised Floor Boxes

CAT. NO.	DESCRIPTION	STD. CTN.
AFM-4-BRS	AFM-4 Raised Floor Box, 3 Compartment, Solid Brass Cover	1
AFM-4-BRS-R	AFM-4 Raised Floor Box, 3 Compartment, Solid Brass Cover with Recess	1
AFM-4-ALM	AFM-4 Raised Floor Box, 3 Compartment, Solid Aluminum Cover	1
AFM-4-ALM-R	AFM-4 Raised Floor Box, 3 Compartment, Solid Aluminum Cover with Recess	1

Access Floor Modules

AFM-6 Series Access Floor Module



ACCESS FLOOR MODULE SIZE		AFM-6
AFM Depth		4
Access floor cut-out		7 ¹⁵ / ₁₆ " x 10"
AFM cover size		7 ⁵ / ₈ " x 9 ³ / ₄ "
AFM cover access area		60 sq. in.
Box volume (less panels)		225 cu. in.
Device compartment volume	45° power	41.5 cu. in.
	60° power	38.3 cu. in.
	Center data	31.3 cu. in.
Base opening		2" x 2 ⁷ / ₈ "
Power panel included**		AFP-6Q
Closure panel included		AFC-C
Cover/carpet flange material		Polycarbonate
Body material		14-ga. galvanized steel
Prewiring available		Yes*
Max. no. of device panels		3

* Special panels available — consult factory.

* Devices not included.

Available with black (-BLK), brown (-BRN), beige (-BGE) or gray (-GRY) cover flange.

Replacement cover: AFM-6-CST-SW black (-BLK), brown (-BRN), beige (-BGE) or gray (-GRY) cover flange.

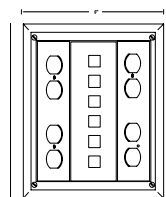
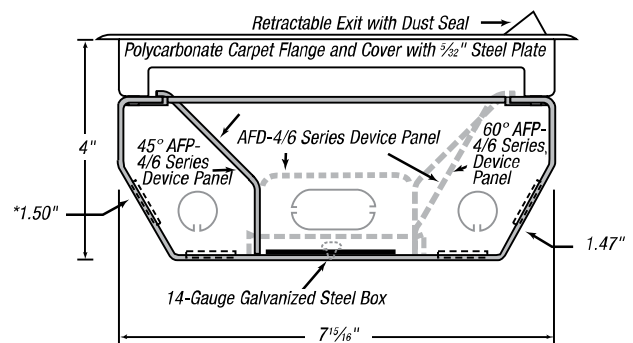
File No. E2969 File No. L12798

AFM	POWER PANELS		
AFM-6-BLK GRY BRN BGE			
	AFP-6Q* Double Duplex-45°	AFP-6B Single Duplex-60°	AFP-6A Single Duplex-45°
	AFP-6B60 Blank-45°	AFP-6R60 Double Duplex-60°	AFP-6-GFCI-45 Single GFCI-60°
	AFP-6A60 Single Duplex-60°	AFP-6-GFCI-45 Double GFCI-60°	

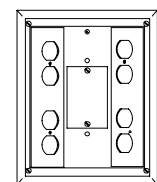
DATA PANELS		ACCESSORIES	
AFD-4A Double Duplex Data	AFD-6B Blank	AFT-46 Power Tunnel	AFR-6 Mounting Flange
AFD-6 4RJ T&B Omni jacks or Keystone style jacks	AFD-6A Single Duplex	AFC-N Grommeted Closure Panel	AFM-6EX Extension Collar

* (1) supplied with box.

** Used to correct opening in floor. Not required for all installations.



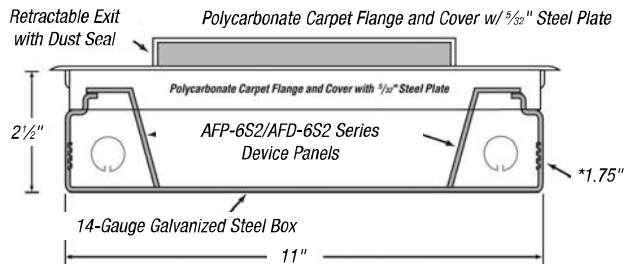
45° Angle Plates
Shown with Supplied
Power Panel and Optional
Data Panel and 45° Power
Panel (sold separately).



60° Angle Plates
Shown with Optional
60° Panels
(sold separately).

Access Floor Modules

AFM-6S2 Series Access Floor Module



ACCESS FLOOR MODULE SIZE		AFM-6S
AFM depth		2 1/2"
Access floor cut-out		7 1/4" x 10"
AFM cover size		7 3/4" x 9 3/4"
AFM cover access area		60 sq. in.
Box volume (less panels)		172 cu. in.
Device compartment volume	Power	13.1 cu. in.
	Data	6.6 cu. in.
Base opening		—
Power panel included**		AFP-6S2-L, AFP-6S2-R
Wire tunnel included		—
Cover/carpet flange material		Polycarbonate
Body material		14-ga. galvanized steel
Prewiring available		Yes*
Max. no. of device panels		4

* Special panels available — consult factory.

** Devices not included.

Available with black (-BLK), brown (-BRN), beige (-BGE) or gray (-GRY) cover flange.

Replacement cover: AFM-6-CST-SW black (-BLK), brown (-BRN), beige (-BGE) or gray (-GRY) cover flange.



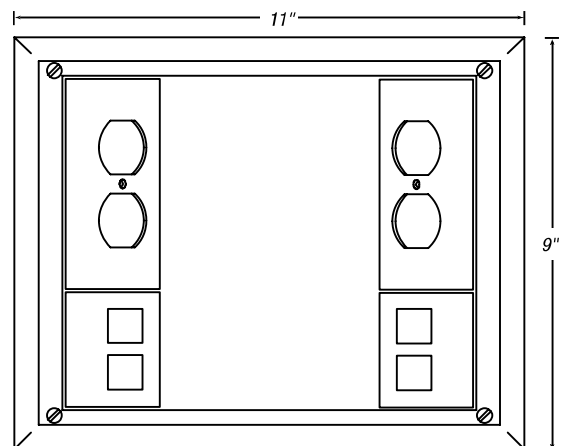
AFM	POWER PANELS	
AFM-6S-BLK GRY BRN BGE		
	AFP-6S2-BR (-BL) Blank	

DATA PANELS	ACCESSORIES

* (1) AFP-6S2-R & (1) AFP-6S2-L supplied with box.

** Used to correct opening in floor. Not required for all installations.

Replacement cover: AFM-6-CST-SW black (-BLK), brown (-BRN), beige (-BGE) or gray (-GRY) cover flange.



AFM-6S2

Shown with supplied power panels and optional data panels (sold separately).

Access Floor Modules

AFM-8 Series Access Floor Module



ACCESS FLOOR MODULE SIZE		AFM-6
AFM Depth		5 $\frac{5}{8}$ "
Access floor cut-out		9 $\frac{1}{2}$ " x 9 $\frac{1}{2}$ "
AFM cover size		9 $\frac{3}{8}$ " x 9 $\frac{3}{8}$ "
AFM cover access area		74 sq. in.
Box volume (less panels)		325 cu in.
Device compartment volume	45° power	15.75 cu in.
	60° power	
Power or Data		
Base opening		—
Power panel included**		—
Closure panel included		—
Cover/carpet flange material		Polycarbonate
Body material		14-ga. galvanized steel
Prewiring available		Yes*
Max. no. of device panels		10

* Special panels available — consult factory.

Available with black (-BLK), brown (-BRN), beige (-BGE) or gray (-GRY) cover flange.

Replacement covers: see 667 Series covers on page A-139.

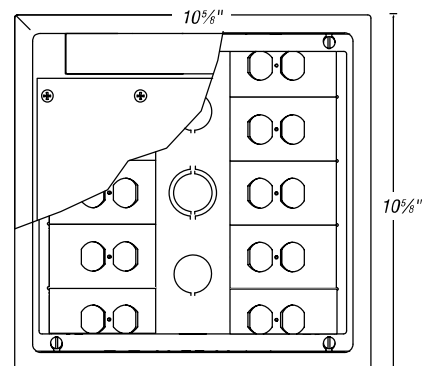
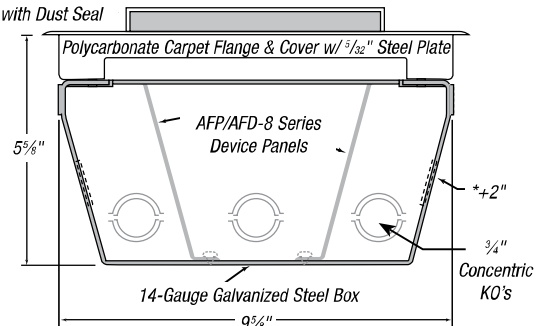


AFM	POWER PANELS	
AFM-8-BLK GRY BRN BGE		
	AFP-8A Single Duplex	AFP-8G* Single GFCI
		AFP-8B Blank
DATA PANELS		ACCESSORIES
AFD-8-3RJ Keystone		AFR-8** Mounting Flange

* Power panels include a voltage partition for use between power and data panels.

** Used to correct opening in floor. Not required for all installations.

Retractable Exit
with Dust Seal



AFM-8

Shown with Optional Power Panels (sold separately).

Accepts 10 device panels.

Each compartment can accept voltage dividers for any combination of power and data (included with device panels).