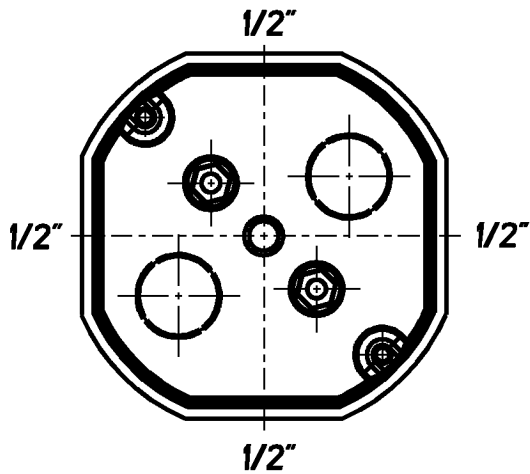
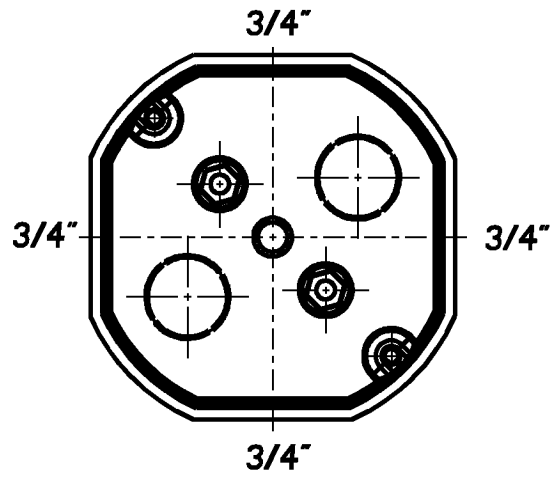


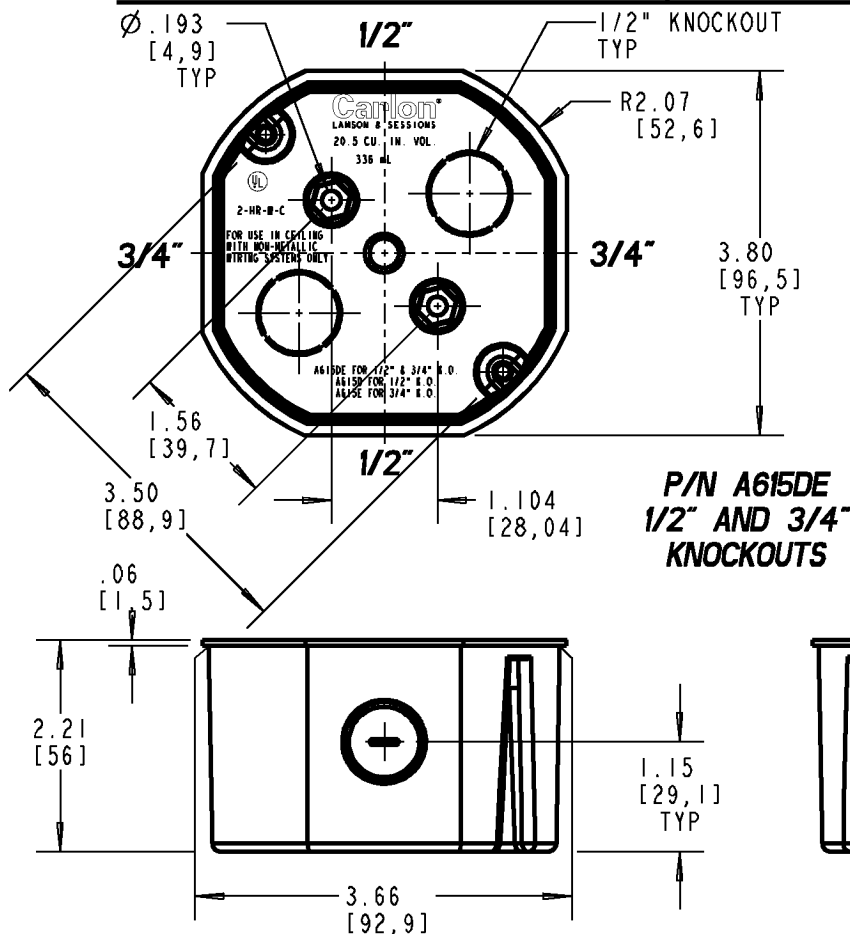
Carlton®



**P/N A615D
1/2" KNOCKOUTS**



**P/N A615E
3/4" KNOCKOUTS**



**P/N A615DE
1/2" AND 3/4"
KNOCKOUTS**

- P/N'S
 A615D
 A615DE
 A615DE-CAR
 A615DEL
 A615DH
 A615DJ
 A615DL
 A615E

GENERAL NOTES

1. ALL DIMENSIONS ARE FOR REFERENCE ONLY.
2. DIMENSIONS IN BRACKETS [] ARE IN METRIC UNITS.

REVISIONS

*** SEE ERN (****) FOR APPROVAL SIGNATURES & RELEASE DATE.
 PROJECT NO: ****

Thomas & Betts
 www.tnb.com

DESCRIPTION: **ENT 4" OCTAGON BOX**

ORIGINAL PROJECT NO / (ERN NO)
 / ()

SHEET NO:
 1 OF 1

REV. NO:
 A

DRAWING NO:
WSD-AC04769