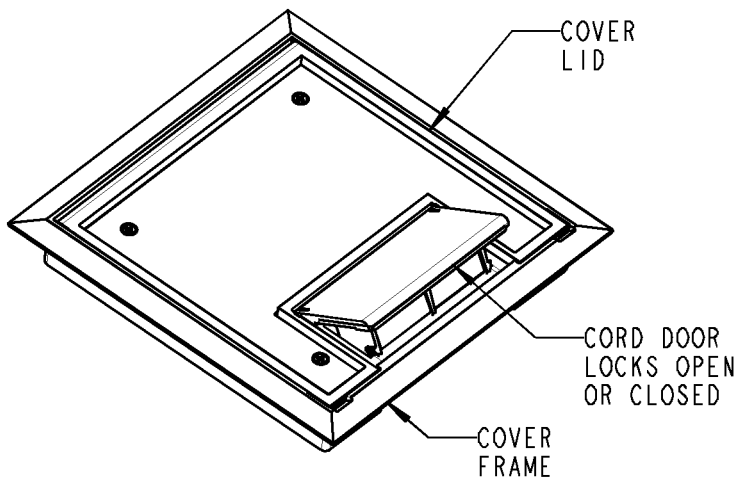



SECTION A-A



- 1) FLOOR BOX COVER DESIGNED FOR USE WITH 665 SERIES CONCEALED SERVICE FLOOR BOXES. MADE FROM HIGH STRENGTH POLYCARBONATE WITH 5/32 STEEL TOP PLATE.
- 2) MOPTIGHT. FACTORY INSTALLED GASKETS. EXCEEDS UL SCRUB-WATER REQUIREMENTS FOR TILE, CARPET AND WOOD FLOORS.
- 3) AVAILABLE IN FOUR COLORS.
 - XXX DENOTES COLOR
 - BLK = BLACK
 - GRY = GRAY
 - BGE = BEIGE
 - BRN = BROWN

GENERAL NOTES		 <small>www.tnb.com</small>			
1. DIMENSIONS IN PARENTHESES () ARE IN METRIC UNITS.					
REVISIONS		DESCRIPTION: 665-CST-SW-XXX CONCEALED SERVICE TOP			
SEE ERN (....) FOR APPROVAL SIGNATURES					
PROJECT NO:	UD55453 / (2002995)	SHEET NO: 1 OF 1	REV. NO: 0	DRAWING NO: WSD-000058	