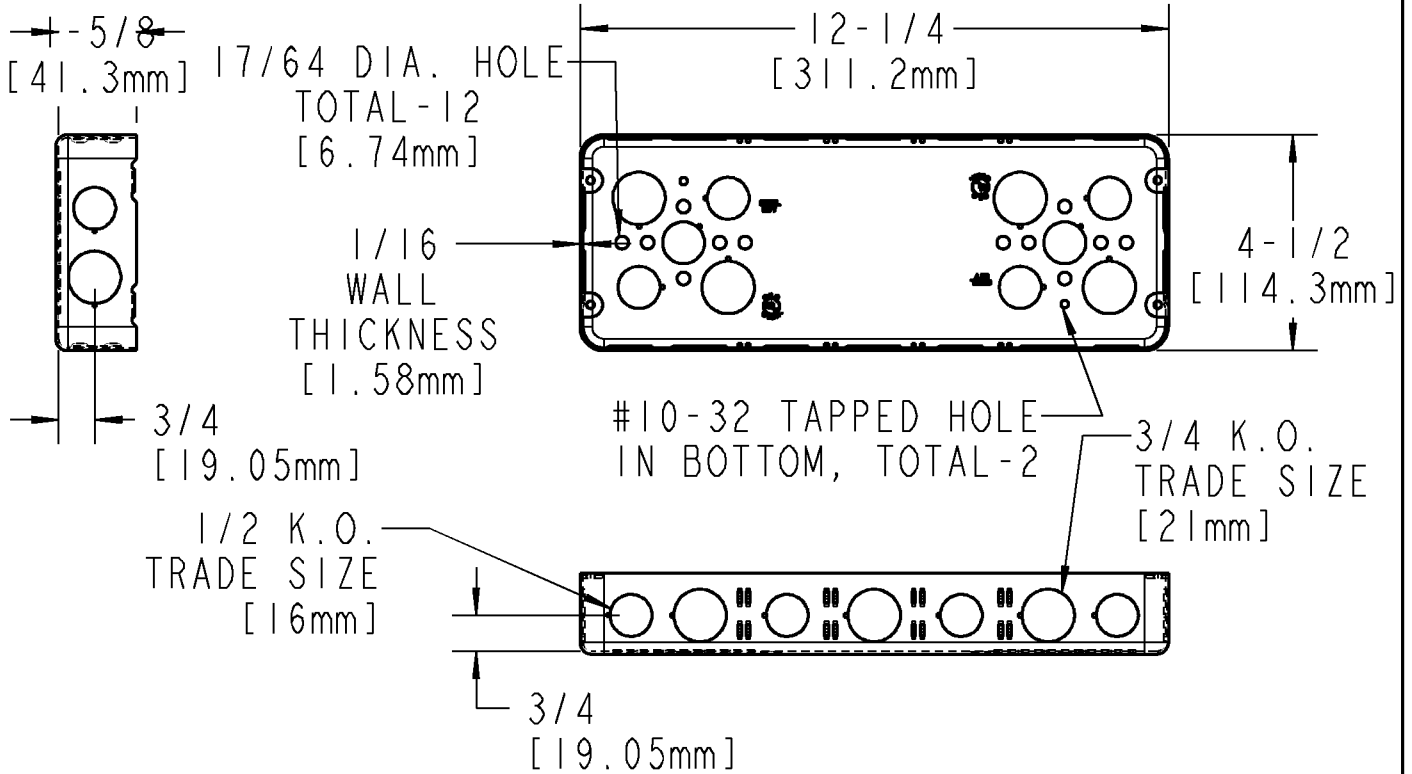
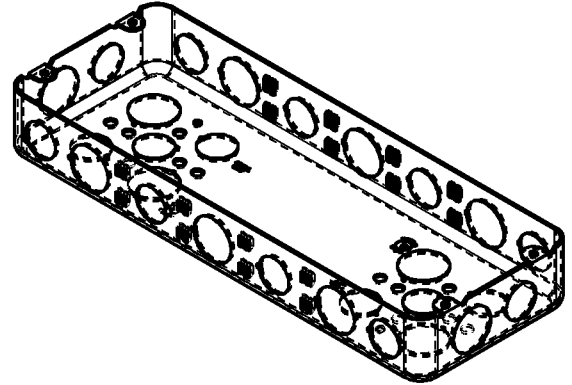




# Thomas & Betts



85.0 CU. IN  
 [1392.9 CU. CM]

## CAT. NO. 5G 1/2 3/4

TYPE OF K.O.	SIDES	ENDS	BOTTOM	TOTAL
NO. OF 1/2 K.O. 'S	8	2	6	16
NO. OF 3/4 K.O. 'S	6	2	4	12

### GENERAL NOTES

- ALL DIMENSIONS ARE FOR REFERENCE ONLY.
- DIMENSIONS IN BRACKETS [ ] ARE IN METRIC UNITS.

www.tnb.com

**Thomas & Betts**

A Member of the ABB Group

### REVISIONS

- |   |  |
|---|--|
| 0 | SEE ERN (****) FOR APPROVAL SIGNATURES & RELEASE DATE.<br>PROJECT NO: **** |
|---|--|

DESCRIPTION:

**5G 1/2 3/4  
 GANG BOX**

ORIGINAL PROJECT NO / ( ERN NO )

**NM400367 / ( 2015599 )**

SHEET NO:

**1 OF 1**

REV. NO:

**0**

DRAWING NO:

**WSD-001290**