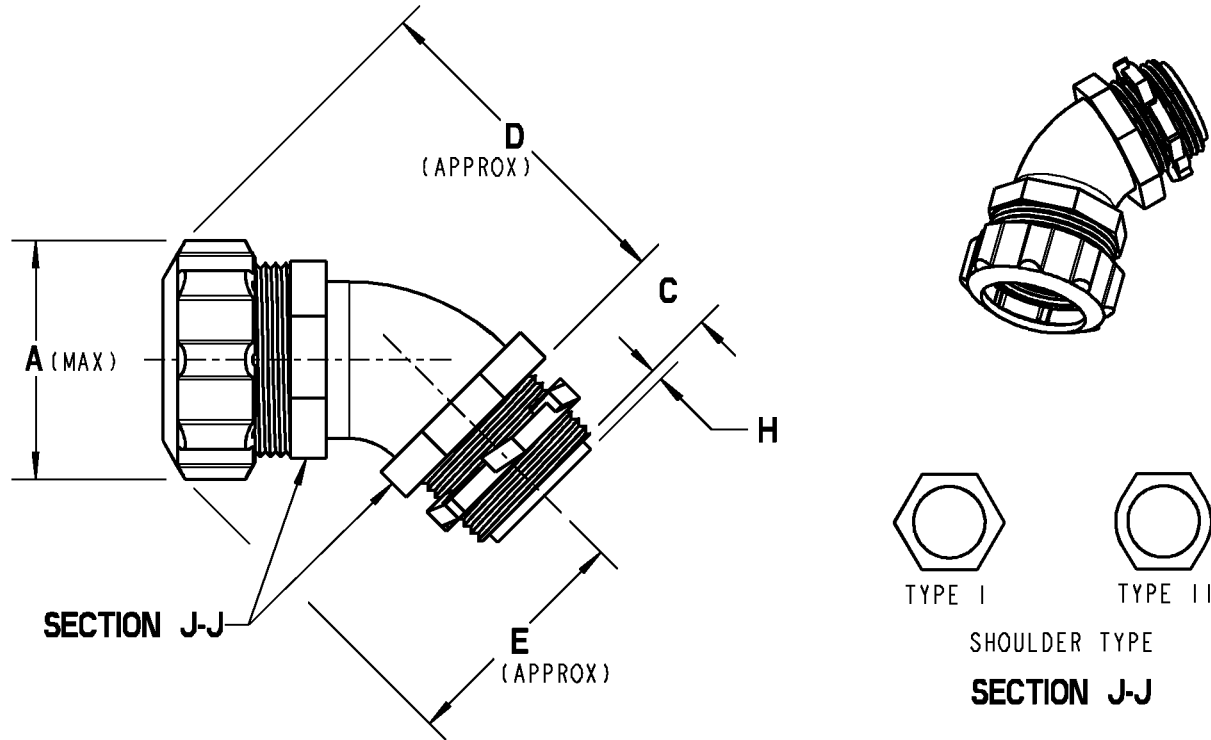


T&B Liquidtight Fittings



NOTES:

1. CONFORMS WITH J.I.C. REQUIREMENTS WITH DOUBLE BEVEL SEALING RING TO 2".
2. ALL MALE HUBS ARE NPT THREADS.
3. MAXIMUM APPLICATION TEMPERATURE 150°C (302°F).
4. MATERIALS: BODY, GLAND NUT- STEEL OR MALLEABLE IRON
LOCKNUT- STEEL OR MALLEABLE IRON
GROUND CONE- STEEL
INSULATOR, SEALING RING- NYLON (UL94-V2)
5. FINISH: ZINC PLATE

CATALOG NUMBER	CONDUIT SIZE	SHOULDER TYPE	A (MAXIMUM)	C	D (APPROXIMATE)	E (APPROXIMATE)	H
5341-HT	3/8"	I	1.156 [29.36]	.562 [14.27]	1.562 [39.67]	1.062 [26.97]	.078 [1.98]
5342-HT	1/2"	I	1.375 [34.93]	.562 [14.27]	1.875 [47.63]	1.188 [30.18]	.078 [1.98]
5343-HT	3/4"	II	1.656 [42.06]	.562 [14.27]	2.125 [53.98]	1.375 [34.93]	.078 [1.98]
5344-HT	1"	II	1.875 [47.63]	.812 [20.62]	2.250 [57.15]	1.750 [44.45]	.094 [2.39]
5345-HT	1-1/4"	II	2.375 [60.33]	.812 [20.62]	2.750 [69.85]	2.000 [50.8]	.109 [2.77]
5346-HT	1-1/2"	II	2.750 [69.85]	.812 [20.62]	2.375 [60.33]	2.625 [66.68]	.125 [3.18]
5347-HT	2"	I	3.468 [88.09]	.875 [22.23]	3.875 [98.43]	3.125 [79.38]	.125 [3.18]

GENERAL NOTES

1. ALL DIMENSIONS ARE FOR REFERENCE ONLY.
2. DIMENSIONS IN BRACKETS [] ARE IN METRIC UNITS.

REVISIONS

1 SEE ERN 2003643 FOR APPROVAL SIGNATURES & RELEASE DATE. PROJECT NO: RD55455

Thomas & Betts
www.tnb.com

DESCRIPTION: **HIGH TEMPERATURE LIQUIDTIGHT FLEXIBLE METAL CONDUIT FITTINGS - 45°**

ORIGINAL PROJECT NO / (ERN NO)	SHEET NO:	REV. NO:	DRAWING NO:
RD55455 / (2002589)	1 OF 1	1	WSD-000017