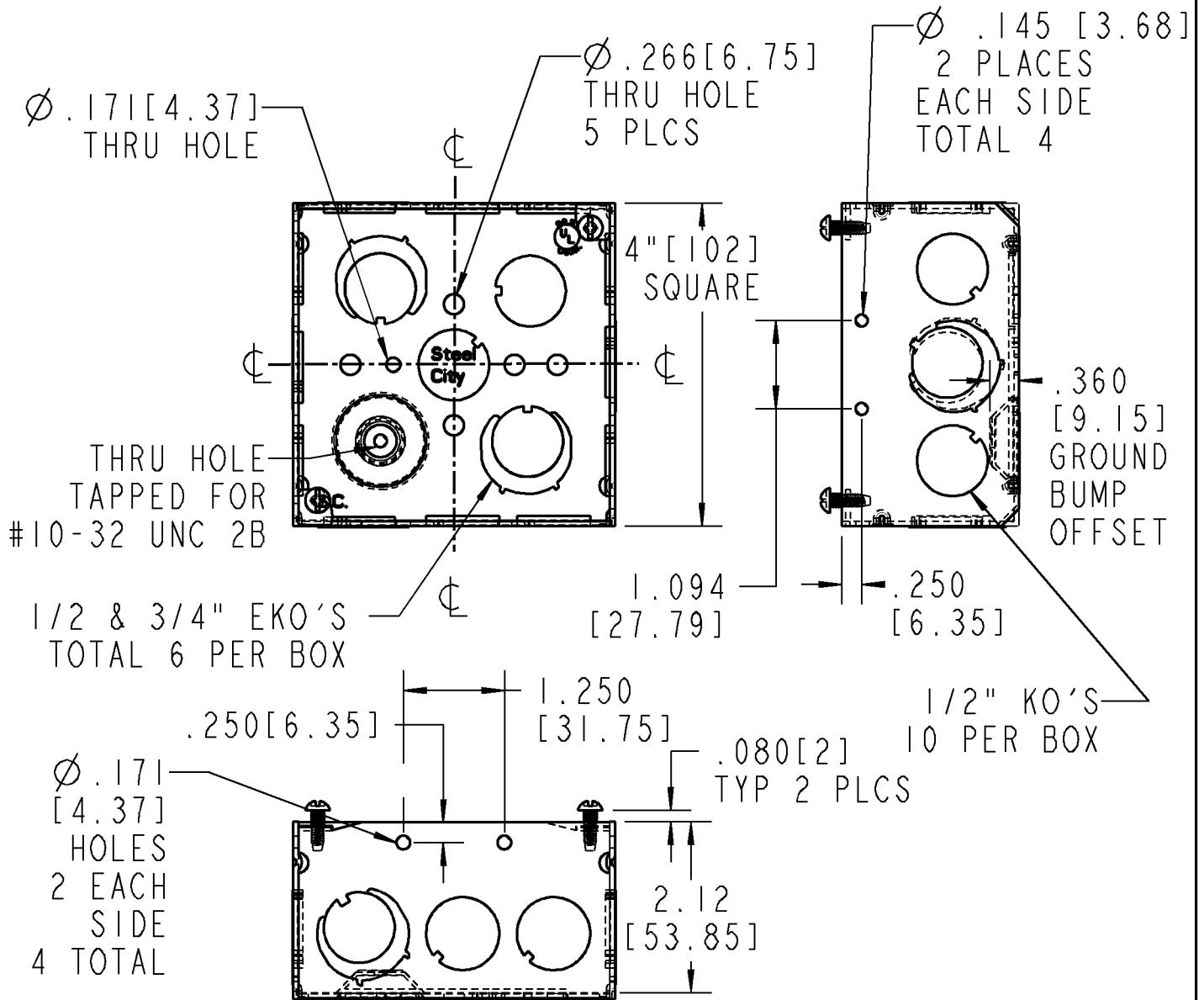




# Steel City



### NOTES:

- MATERIAL TO BE .063" [1.60] THICK HOT ROLLED C-1008 GALVANIZED STEEL PER G90-U.
- PUNCHED THRU HOLES FOR STUD OR BRACKET MOUNTINGS.

## CATALOG NUMBER; 521711234E

<b>GENERAL NOTES</b>		<b>Thomas &amp; Betts</b> <small>www.tnb.com</small>			
1. ALL DIMENSIONS ARE FOR REFERENCE ONLY. 2. DIMENSIONS IN BRACKETS [ ] ARE IN METRIC UNITS.					
<b>REVISIONS</b>		<b>DESCRIPTION: WELDED 4" SQUARE 2-1/8" DEEP BOX WITH 1/2 &amp; 3/4 EKO'S AND RAISED GROUND BUMP</b>			
** SEE ERN (****) FOR APPROVAL SIGNATURES & RELEASE DATE. PROJECT NO: ****		ORIGINAL PROJECT NO / ( ERN NO )	SHEET NO:	REV. NO:	DRAWING NO:
		NM400387 / ( 2012925 )	1 OF 1	-	WSD-001023