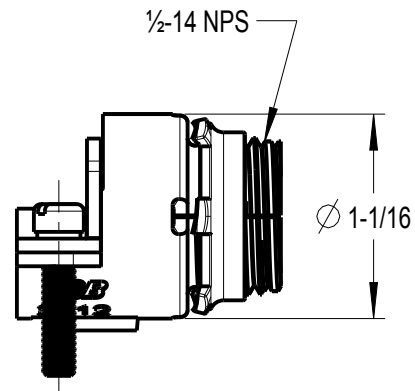
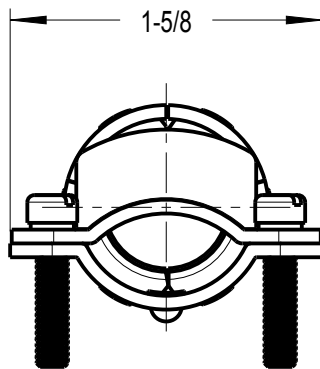
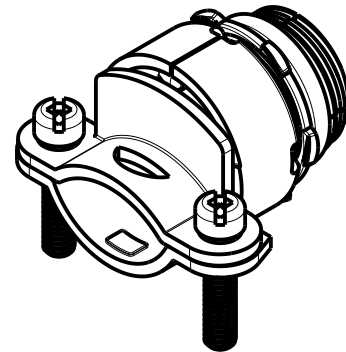
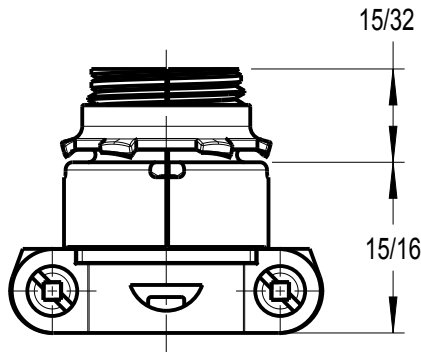




T&B Fittings



3312-TB	1/2	1/2	0.500	0.937
3312-C				
CATALOG No.	TRADE SIZE	K.O.'S SIZE	MINIMUM	MAXIMUM
			CABLE RANGE	

SCREW TYPE




3312-C
SCREW COMBO
FILLISTER AND ROBERTSON
HEAD



3312-TB
SCREW COMBO
FILLISTER AND PHILIPPS
HEAD

NOTES:

1. MATERIAL: ZINC PLATED STEEL
2. FINISH: ELECTRO-ZINC PLATE WITH CHROMATE

GENERAL NOTES		 A Member of the ABB Group			
1. ALL DIMENSIONS ARE FOR REFERENCE ONLY. 2. DIMENSIONS IN BRACKETS [] ARE IN METRIC UNITS.					
REVISIONS		DESCRIPTION: TWO SCREW CABLE CONNECTOR 3312-C/3312-TB ASSEMBLY			
-	SEE ERN () FOR APPROVAL SIGNATURES & RELEASE DATE. PROJECT NO:	ORIGINAL PROJECT NO / (ERN NO) RM401888 / (2016993)	SHEET NO: 1 OF 1	REV. NO: -	DRAWING NO: WSD-001571