

Issue Date: 10/11/2012

Page: 1 of 2

File: PSS-160DRG

15kV	200A Loadbreak Insulated Cap	w/ Ground	160DRG
------	------------------------------	-----------	--------



Features:

- 15kV, 200 Amp Loadbreak Rated
- Molded EPDM Rubber
- Includes all brass probe
- Provision for hotstick operation
- Ground lead wire #14 AWG attached

160DRG Loadbreak Insulated Cap (with Ground)

Applications:

Elastimold® 160DRG insulated caps w/ ground lead (without insulated cuff) are fully shielded, fully submersible, hot stick operable, separable insulated connector designed for energized operation. They are suitable for use on 15kV class loadbreak systems. The 160DRG has an integral ground lead as part of the assembly. The 160DRG is used to "dead-end" the following Elastimold® mating products:

- 1601A4 bushing insert
- 164FT feed thru
- 1602A3R feed-thru insert
- 164 series junctions

Ratings:

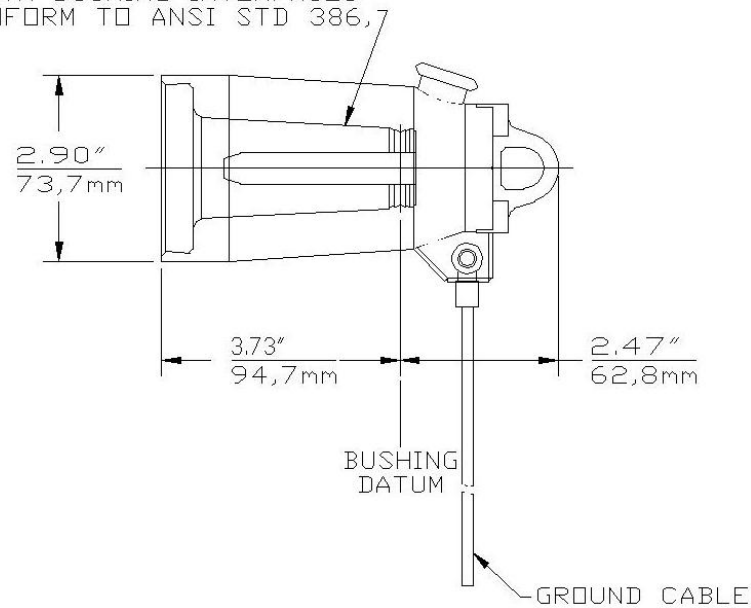
Meets ANSI/IEEE Standard 386, Latest Revision

For 15kV Voltage Class:

8.3kV Max Phase-to-Ground – Operating Voltage
 14.4kV Max Phase-to-Phase
 95kV BIL – Impulse Withstand (1.2 x 50 microsecond wave)
 34kV AC – One minute withstand
 53kV DC – 15 minutes withstand
 11kV AC – Corona Extinction @ 3pC sensitivity
 200 Amp – Continuous and Loadbreak
 10kA Sym – 10 Cycles Momentary & Fault Close

15kV	200A Loadbreak Insulated Cap	w/ Ground	160DRG
------	-------------------------------------	-----------	--------

MATES WITH BUSHING INTERFACES
THAT CONFORM TO ANSI STD 386,
FIG 5



Ordering Instructions:

To order, specify number **160DRG** insulating cap.

Each kit contains the following:

1	Insulated cap	160DRG
1	Lubricant	82-08
1	Installation Instruction	IS-0892

Notes:

- Also available without probe. Specify 160DRGA.