

## General Accessories

### PVC Coated Hubs for use with PVC Coated Rigid Conduit

For connections using rigid PVC coated conduit, Plasti-Bond Red hubs are available in four standard sizes.



#### Plasti-Bond Red Hubs

CATALOG NUMBER	SIZE
STPRSTG2	3/4"
STPRSTG3	1"
STPRSTG4	1 1/4"
STPRSTG5	1 1/2"

### Copper Free Aluminum Hubs for use with Metallic Conduit

Metallic conduit connections can be made with the use of an aluminum hub available in seven standard sizes.

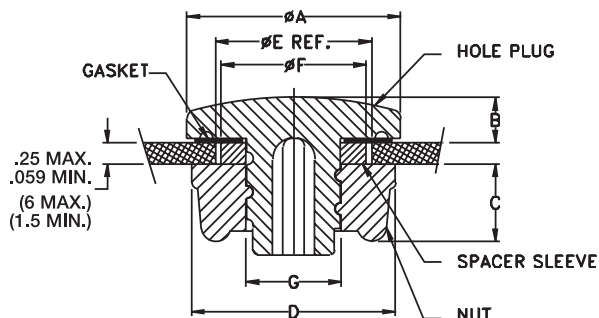


#### Aluminum Hubs

CATALOG NUMBER	INSIDE DIAMETER	HOLE DIAMETER
M50	1/2"	7/8"
M75	3/4"	11/16"
M100	1"	11/4"
M125	1 1/4"	1 11/16"
M150	1 1/2"	1 7/8"
M200	2"	2 3/8"
M250	2 1/2"	2 7/8"
M300	3"	3 7/16"
M400	4"	4 3/8"

## Pluggit!

- Superior corrosion resistance compared to rust-prone carbon steel and other metallic alternatives helps ensure increased enclosure life expectancy.
- Cost effective when compared to either carbon or stainless steel alternatives.
- Considerably better long-term resistance to UV degradation versus UV-susceptible soft rubber plugs that turn brittle from extreme temperature variations and repeated UV exposure.
- Will not create galvanic corrosion associated with dissimilar metals sometimes used in electrical enclosures.
- Maintains all chemical resistance features of current Stahlin products.
- Flame retardant material to UL 94V-0.
- A submersion/hosedown rated component for use in electrical enclosures UL recognized to type 4X and 6P.
- IEC tested to IP66 and IP68.



#### Pluggit!

Kit Number	Config.	ØA	B <sup>+0.05</sup> / <sub>-0.00</sub>	C	D Across Flats	ØE Ref. - Nom. Hole Dia. Range	ØF	ØG	Common Industry Applications
HPSERIES 1	HP1					0.50" - 0.56" (12.70 - 14.29)	N/A		1/2" Dia. Hole
	HP2	1.00" (25.40)	0.22" (5.59)	0.35" (8.89)	0.88" (22.35)	0.63" - 0.69" (16.00 - 17.46)	0.56" (14.22)	0.44" (11.18)	5/8" Dia. Hole
	HP3					0.75" - 0.81" (19.05 - 20.64)	0.68" (17.27)		3/4" Dia. Hole
HPSERIES 1.5	HP3.5	1.20" (30.48)	0.22" (5.59)	0.33" (8.38)	1.04" (26.39)	0.88" (22.35)	N/A	0.81" (20.57)	1/2" Conduit
	HP4					0.88" - 1.00" (22.35 - 25.40)	N/A		1/2" Conduit 22mm PB
HPSERIES 2	HP5	1.50" (38.10)	0.22" (5.59)	0.38" (9.63)	1.38" (35.05)	1.06" - 1.12" (26.92 - 28.45)	1.03" (26.16)	0.85" (21.59)	3/4" Conduit
	HP6					1.22" - 1.28" (30.73 - 32.51)	1.19" (30.22)		30mm PB
	HP7					1.38" - 1.50" (35.05 - 38.10)	N/A	1.35" (34.29)	1" Conduit
HPSERIES 3	HP8	2.00" (50.80)	0.22" (5.59)	0.38" (9.63)	1.88" (47.75)	1.69" - 1.75" (42.67 - 44.45)	1.65" (41.91)		1-1/4" Conduit
	HP9					2.00" - 2.12" (50.80 - 53.85)	N/A	1.97" (50.04)	1-1/2" Conduit
HPSERIES 4	HP10	2.75" (69.85)	0.22" (5.59)	0.41" (10.41)	2.63" (66.67)	2.50" - 2.56" (63.50 - 65.09)	2.44" (61.89)		2" Conduit
	HP11	3.38" (85.85)	0.22" (5.59)	0.34" (8.63)	3.38" (85.85)	3.00" (76.20)	N/A	2.97" (75.44)	2-1/2" Conduit
HPSERIES 6	HP12	4.00" (101.60)	0.22" (5.59)	0.34" (8.63)	4.00" (101.60)	3.62" (91.95)	N/A	3.59" (91.19)	3" Conduit
HPSERIES 7	HP13	4.50" (114.30)	0.22" (5.59)	0.38" (9.63)	4.50" (114.30)	4.12" (104.65)	N/A	4.09" (103.88)	3-1/2" Conduit
HPSERIES 8	HP14	5.00" (127.00)	0.22" (5.59)	0.41" (10.41)	5.00" (127.00)	4.62" (117.35)	N/A	4.59" (116.58)	4" Conduit