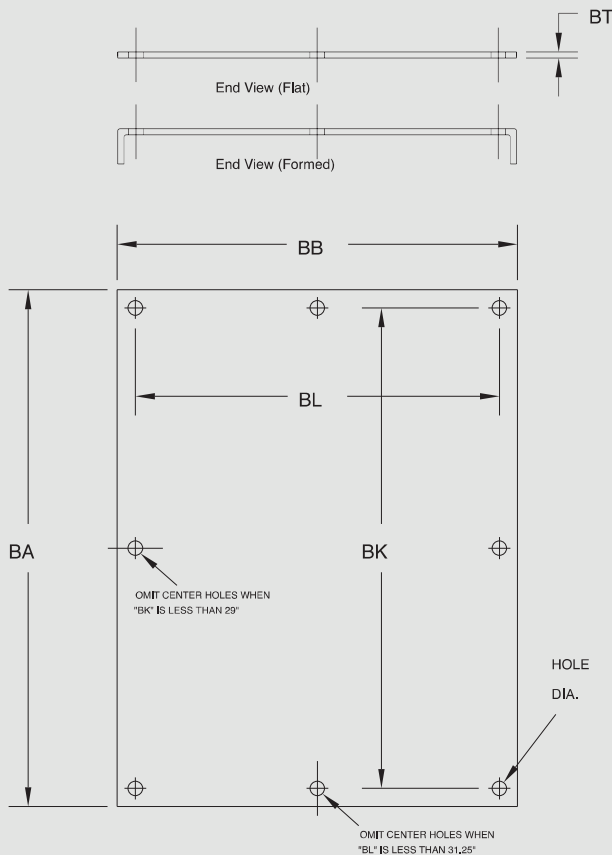
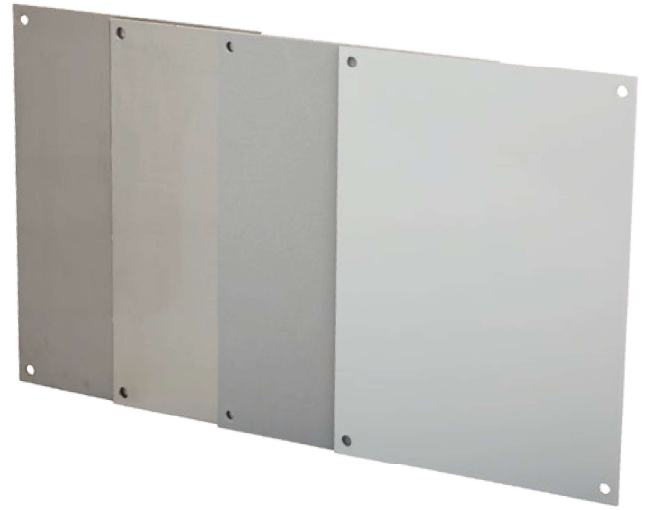




Back Panels

Mount electrical and electronic devices inside

Stahlin traditional sized back panels allow for the mounting of electrical and electronic devices inside an enclosure. Stahlin back panels are available in a variety of materials, in standard industry footprints.



Back Panels – General Info

CATALOG SUFFIX	MATERIAL	GRADE	FINISH	MISC.
AL	Aluminum	3003 H14	None	
SS	Stainless Steel	304	None	
FG	Fiberglass			UL94-V0
CS	Carbon Steel	1008/1010	Painted White Enamel	

Note: Available for all product families unless otherwise specified.



Back Panels – J & JW, RJ & RJW, FatBoy, TeleControl, Diamond Shield®, Classic, PolyStar® and F Series

CATALOG NUMBER	BA	BB	BK	BL	BT (AL)	BT (FG)	BT (SS)	BT (CS)	PANEL TYPE	HOLE DIA.	# OF HOLES	WEIGHT (ALUMINUM) SUFFIX: AL	WEIGHT (FIBERGLASS) SUFFIX: FG	WEIGHT (STAINLESS) SUFFIX: SS	WEIGHT (CARBON STEEL) SUFFIX: CS
BP64	4.88 (124)	2.88 (73)	4.25 (108)	2.25 (57)	.080 (2)	.125 (3)	.060 (2)	.075 (2)	Flat	.25 (6)	4	2 oz.	2 oz.	5 oz.	6 oz.
BP66	4.88 (124)	4.88 (124)	4.25 (108)	4.25 (108)	.080 (2)	.125 (3)	.060 (2)	.075 (2)	Flat	.25 (6)	4	3 oz.	3 oz.	6 oz.	8 oz.
BP76	6 (152)	4.88 (124)	5.38 (137)	4.25 (108)	.080 (2)	.125 (3)	.060 (2)	.075 (2)	Flat	.25 (6)	4	4 oz.	4 oz.	9 oz.	10 oz.
BP86	6.88 (175)	4.88 (124)	6.25 (159)	4.25 (108)	.080 (2)	.125 (3)	.060 (2)	.075 (2)	Flat	.25 (6)	4	4 oz.	4 oz.	12 oz.	12 oz.
BP88	6.88 (175)	6.88 (175)	6.25 (159)	6.25 (159)	.080 (2)	.125 (3)	.060 (2)	.075 (2)	Flat	.25 (6)	4	5 oz.	5 oz.	15 oz.	15 oz.
BP96	8.25 (210)	4.88 (124)	7.63 (194)	4.25 (108)	.080 (2)	.125 (3)	.060 (2)	.075 (2)	Flat	.25 (6)	4	5 oz.	5 oz.	12 oz.	14 oz.
BP108	8.88 (225)	6.88 (175)	8.25 (210)	6.25 (159)	.080 (2)	.125 (3)	.060 (2)	.075 (2)	Flat	.25 (6)	4	8 oz.	8 oz.	1.2 lb.	1.3 lb.
BP1210	10.88 (276)	8.88 (225)	10.25 (260)	8.25 (210)	.080 (2)	.125 (3)	.060 (2)	.075 (2)	Flat	.25 (6)	4	12 oz.	14 oz.	1.9 lb.	2.1 lb.
BP1212	10.88 (276)	10.88 (276)	10.25 (260)	10.25 (260)	.080 (2)	.125 (3)	.060 (2)	.075 (2)	Flat	.25 (6)	4	1 lb.	1.1 lb.	2.3 lb.	2.4 lb.
BP1407	12.88 (327)	5.88 (149)	12.25 (311)	5.25 (133)	.080 (2)	.125 (3)	.060 (2)	.075 (2)	Flat	.25 (6)	4	14 oz.	14 oz.	2 lb.	2.1 lb.
BP1412	12.88 (327)	10.88 (276)	12.25 (311)	10.25 (260)	.080 (2)	.125 (3)	.060 (2)	.075 (2)	Flat	.25 (6)	4	1.125 lb.	1.3 lb.	2.8 lb.	3 lb.
BP1614	14.88 (378)	12.88 (327)	14.25 (362)	12.25 (311)	.080 (2)	.125 (3)	.060 (2)	.075 (2)	Flat	.25 (6)	4	1.5 lb.	1.4 lb.	3.8 lb.	4.1 lb.
BP1816	16.88 (429)	14.88 (378)	16.25 (413)	14.250 (362)	.080 (2)	.125 (3)	.060 (2)	.075 (2)	Flat	.25 (6)	4	1.94 lb.	2 lb.	5.5 lb.	5.4 lb.
BPJ2016	18.88 (479)	14.88 (378)	18.25 (463)	14.250 (362)	.080 (2)	.125 (3)	.060 (2)	.075 (2)	Flat	.25 (6)	4	2.25 lb.	2.1 lb.	6.1 lb.	6.1 lb.
BPJ2020	18 (457)	18 (457)	15.25 (387)	15.25 (387)	0.08 (2)	NA	NA	1.105 (3)	Flat	0.295 (7)	4	3.5 lbs.	NA	NA	5.7 lbs.
BPJ2420	22 (559)	18 (457)	19.25 (489)	19.25 (489)	0.08 (2)	NA	NA	1.105 (3)	Flat	0.295 (7)	4	4.5 lbs.	NA	NA	10.8 lbs.
BPJ2424	22 (559)	22 (559)	19.25 (489)	19.25 (489)	0.08 (2)	NA	NA	1.105 (3)	Flat	0.295 (7)	4	5.5 lbs.	NA	NA	13.4 lbs.
BPJ3024	27 (686)	21 (533)	25.25 (641)	19.25 (489)	0.128 (3.2)	NA	NA	0.128 (3.2)	Flat	0.5 (13)	5	7 lbs.	NA	NA	17 lbs.

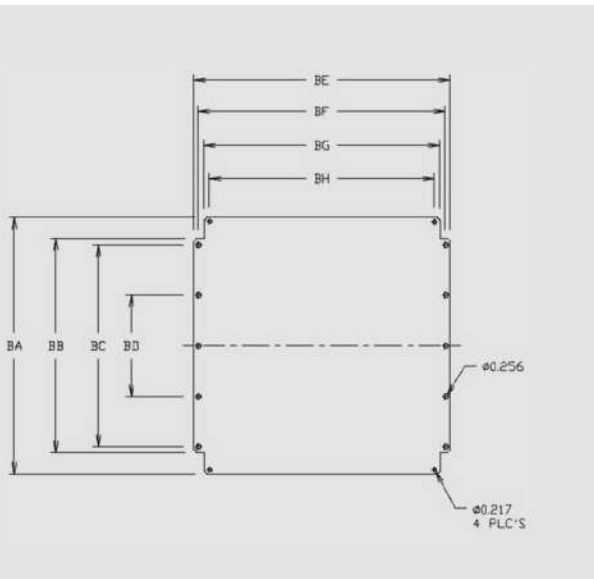
Caution: Metric units are for reference, do not convert. Note: When specifying combine Size ID Number and Material Suffix. Example: BP64AL for 6x4 Aluminum Back Panel.



Back Panels – Disconnect Series

CATALOG NUMBER	BA	BB	BK	BL	PANEL THICKNESS BT	PANEL TYPE	HOLE DIA.	# OF HOLES	WEIGHT (STEEL) SUFFIX: CS	FITS TYPICAL ENCLOSURE SIZE
BP2016CD	16.88 (429)	13.38 (340)	15.25 (387)	11.25 (286)	0.135 (2)	Formed	0.50 (13)	4	7.3 lbs.	20 x 16 Disconnect Enclosure
BP2412CD	20.88 (530)	9.38 (238)	19.25 (489)	7.25 (184)	0.135 (2)	Formed	0.50 (13)	4	6.5 lbs.	24 x 12 Disconnect Enclosure
BP2424CD	20.88 (530)	21.38 (543)	19.25 (489)	19.25 (489)	0.135 (2)	Formed	0.50 (13)	4	14 lbs.	24 x 24 Disconnect Enclosure
BP3024CD	26.88 (683)	21.38 (543)	25.25 (641)	19.25 (489)	0.135 (2)	Formed	0.50 (13)	4	19 lbs.	30 x 24 Disconnect Enclosure
BP3630CD	32.88 (835)	27.38 (695)	31.25 (794)	25.25 (641)	0.135 (2)	Formed	0.50 (13)	6	29 lbs.	36 x 30 Disconnect Enclosure

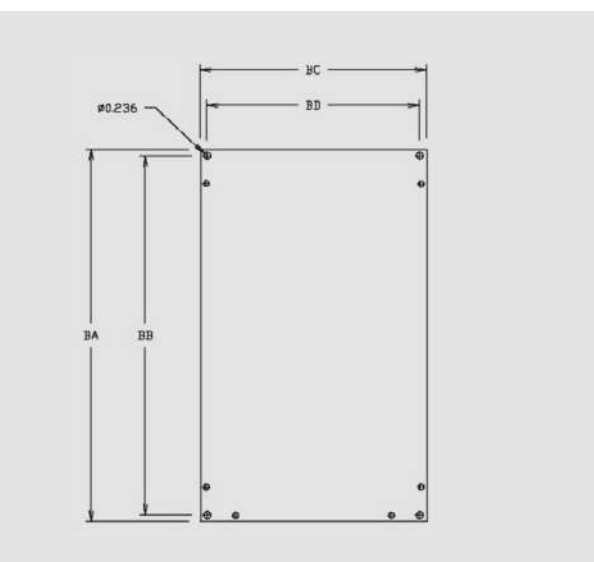
Caution: Metric units are for reference, do not convert. Note: Carbon Steel (CS) available only.



Back Panels – DuraBoxx® D Series

CATALOG NUMBER	BA	BB	BC	BD	BE	BF	BG	BH	# OF HOLES
D333BP	2.48 (63)	1.02 (26)	N/A	N/A	2.68 (68)	2.28 (58)	1.85 (47)	N/A	2
D342BP	2.44 (62)	1.26 (32)	N/A	N/A	3.82 (97)	3.50 (89)	3.27 (83)	N/A	2
D554BP	4.21 (107)	2.44 (62)	2.05 (52)	N/A	4.29 (109)	3.74 (95)	3.39 (86)	2.83 (72)	6
D594BP	4.21 (107)	2.44 (62)	2.05 (52)	N/A	8.15 (207)	7.60 (193)	7.24 (184)	6.69 (170)	6
D774BP	5.67 (144)	3.43 (87)	2.99 (76)	N/A	5.67 (144)	5.20 (132)	4.61 (117)	4.02 (102)	6
D7114BP	5.67 (144)	3.43 (87)	2.99 (76)	N/A	9.61 (244)	9.13 (232)	8.54 (217)	7.95 (202)	6
D10105BP	9.17 (233)	6.93 (176)	3.94 (100)	N/A	9.37 (238)	8.94 (227)	8.31 (211)	7.72 (196)	6
D10165BP	9.17 (233)	6.93 (176)	3.94 (100)	N/A	15.08 (383)	14.65 (372)	14.02 (356)	13.43 (341)	6
D14144BP	13.54 (344)	11.30 (287)	10.63 (270)	5.35 (136)	13.54 (344)	13.07 (332)	12.48 (317)	11.89 (302)	10
D16165BP	15.28 (388)	13.03 (331)	9.84 (250)	N/A	15.04 (382)	14.65 (372)	13.98 (355)	13.43 (341)	6

Caution: Metric units are for reference, do not convert.



Back Panels – DuraBoxx® DL Series

CATALOG NUMBER	BA	BB	BC	BD	# OF HOLES
DL18127BP	13.94 (354)	13.46 (342)	8.46 (215)	7.95 (202)	4
DL18168BP	14.80 (376)	14.25 (362)	12.83 (326)	12.24 (311)	4
DL24168BP	21.89 (556)	21.34 (542)	14.84 (377)	14.21 (361)	4

Caution: Metric units are for reference, do not convert.



Back Panels – Starke Series

CATALOG NUMBER	BA	BB	BK	BL	BT(P)	PANEL TYPE	HOLE DIA.	# OF HOLES
BPS0605P	1.89 (48)	1.61 (41)	1.50 (38)	N/A	0.06 (1.5)	Flat	0.14 (3.5)	4
BPS0808P	2.83 (72)	2.76 (70)	2.28 (58)	2.28 (58)	0.06 (1.5)	Flat	0.17 (4.3)	10
BPS1280P	4.33 (110)	2.76 (70)	3.23 (82)	2.28 (58)	0.06 (1.5)	Flat	0.18 (4.5)	10
BPS1680P	5.91 (150)	2.76 (70)	4.80 (122)	2.28 (58)	0.06 (1.5)	Flat	0.18 (4.5)	10
BPS2080P	7.48 (190)	2.76 (70)	6.38 (162)	2.28 (58)	0.06 (1.5)	Flat	0.18 (4.5)	6
BPS1212P	4.41 (112)	4.33 (110)	3.31 (84)	3.86 (98)	0.08 (2)	Flat	0.18 (4.5)	4
BPS1612P	5.94 (151)	4.41 (112)	4.70 (120)	3.56 (91)	0.08 (2)	Flat	0.19 (4.8)	4
BPS2012P	7.44 (189)	4.29 (109)	6.30 (160)	3.54 (90)	0.08 (2)	Flat	0.18 (4.5)	4
BPS2412P	9.06 (230)	4.33 (110)	7.91 (201)	3.86 (98)	0.10 (2.5)	Flat	0.18 (4.5)	4
BPS2015P	7.52 (191)	5.59 (142)	6.28 (160)	4.65 (118)	0.08 (2)	Flat	0.20 (5)	4
BPS3415P	11.65 (296)	5.39 (137)	8.66 (220)	4.41 (112)	0.10 (2.5)	Flat	0.18 (4.5)	4
BPS1616P	5.94 (151)	5.20 (132)	5.43 (138)	4.78 (122)	0.10 (2.5)	Flat	0.18 (4.5)	4
BPS2416P	9.06 (230)	5.91 (150)	7.93 (202)	5.43 (138)	0.10 (2.5)	Flat	0.19 (4.7)	4
BPS2516P	9.53 (242)	5.98 (152)	8.33 (212)	5.04 (128)	0.10 (2.5)	Flat	0.19 (4.7)	4
BPS3620P	13.58 (345)	7.44 (189)	11.81 (300)	4.61 (117)	0.10 (2.5)	Flat	0.26 (6.5)	4
BPS3023P	11.42 (290)	8.64 (220)	10.04 (255)	7.80 (198)	0.10 (2.5)	Flat	0.20 (5)	4

Caution: Metric units are for reference, do not convert.



Back Panels – N Series – Wall Mount

CATALOG NUMBER	BA	BB	BK	BL	BT (AL)	BT (FG)	BT (SS)	BT (CS)	PANEL TYPE	HOLE DIA.	# OF HOLES	WEIGHT (ALUMINUM) SUFFIX: AL	WEIGHT (STAINLESS) SUFFIX: SS	WEIGHT (CARBON STEEL) SUFFIX: CS
BP1610	13.00 (330)	8.50 (216)	12.00 (305)	7.50 (191)	.080 (2)		.060 (2)	.105 (3)	Flat	0.31 (8)	4	1 lb	1.5 lbs	3.3 lbs
BP2016	17.00 (432)	13.00 (330)	15.25 (387)	11.25 (286)	.080 (2)		.060 (2)	.105 (3)	Flat	.50 (13)	4	2 lbs	3.7 lbs	6.7 lbs
BP2020	17.00 (432)	17.00 (432)	15.25 (387)	15.25 (387)	.080 (2)		.060 (2)	.105 (3)	Flat	.50 (13)	4	2.5 lbs	4 lbs	5.7 lbs
BP2412	21.00 (533)	9.00 (229)	19.25 (489)	7.25 (184)	.080 (2)		.060 (2)	.105 (3)	Flat	.50 (13)	4	1.5 lbs	5 lbs	8.7 lbs
BP2420	21.00 (533)	17.00 (432)	19.25 (489)	15.25 (387)	.128 (3)		.060 (2)	.105 (3)	Flat	.50 (13)	4	4.5 lbs	6 lbs	10.8 lbs
BP2424	21.00 (533)	21.00 (533)	19.25 (489)	19.25 (489)	.128 (3)		.060 (2)	.105 (3)	Flat	.50 (13)	4	5.5 lbs	7.4 lbs	13.4 lbs
BP3020	27.00 (686)	17.00 (432)	25.25 (641)	15.25 (387)	.128 (3)		.060 (2)	.105 (3)	Flat	.50 (13)	4	5.8 lbs	7.7 lbs	14 lbs
BP3024	27.00 (686)	21.00 (533)	25.25 (641)	19.25 (489)	.128 (3)		.060 (2)	.105 (3)	Flat	.50 (13)	4	7 lbs	9.6 lbs	17 lbs
BP3630	33.00 (838)	27.00 (686)	31.25 (794)	25.25 (641)	.128 (3)		.060 (2)	.105 (3)	Flat	.50 (13)	6	11 lbs	15.2 lbs	27 lbs
BP3636	31.00 (787)	33.00 (838)	29.00 (737)	31.00 (787)	.128 (3)		.060 (2)	.105 (3)	Formed	.50 (13)	8	14 lbs	18.5 lbs	33 lbs
BP4836	45.00 (1143)	33.00 (838)	43.25 (1099)	31.25 (794)	.128 (3)		.060 (2)	.105 (3)	Formed	.563 (13)	8	20 lbs	N/A	47 lbs
BP6024	57.00 (1448)	21.00 (533)	55.25 (1403)	19.25 (489)	0.128 (3)	0.25 (6)	0.060 (2)	0.105 (3)	Formed	0.563 (14)	6	2.5 lbs.	N/A	5.7 lbs.
BP6036	57.00 (1448)	33.00 (838)	55.25 (1403)	31.25 (794)	.128 (3)		.060 (3)	.105 (3)	Formed	.563 (13)	8	25 lbs	N/A	60 lbs
BP3648*	31.00 (787)	22.00 (559)	29.00 (737)	20.00 (508)	0.128 (3)	0.25 (6)	0.060 (2)	0.105 (3)	Formed	0.500 (13)	6	1 lb.	N/A	3.3 lbs.
BP5442*	49.00 (1245)	19.00 (483)	47.00 (1194)	17.00 (432)	0.128 (3)	0.25 (6)	0.060 (2)	0.105 (3)	Formed	0.563 (14)	6	2 lbs.	N/A	6.7 lbs.

Caution: Metric units are for reference, do not convert. Note: When specifying combine Size ID Number and Material Suffix. Example: BP1610CS for 16x10 Carbon Steel Back Panel.



* Set of two panels.



Back Panels – N Series – Free Standing, Single Door

CATALOG NUMBER	BA	BB	BK	BL	BT (AL)	BT (CS)	PANEL TYPE	HOLE DIA.	# OF HOLES	WEIGHT (ALUMINUM) SUFFIX: AL	WEIGHT (CARBON STEEL) SUFFIX: CS
BP7224	64.00 (1626)	20.00 (508)	62.00 (1575)	18.00 (457)	0.128 (3)	0.105 (3)	Formed	0.563 (14)	10	7 lbs.	17 lbs.
BP7225	64.00 (1626)	21.00 (533)	62.00 (1575)	19.00 (483)	.128 (3)	0.105 (3)	Formed	.563 (13)	10	18.5 lbs	43 lbs
BP7230	64.00 (1626)	26.00 (660)	62.00 (1575)	24.00 (610)	0.128 (3)	0.105 (3)	Formed	0.563 (14)	10	11 lbs.	27 lbs.
BP7236	64.00 (1626)	32.00 (813)	62.00 (1575)	30.00 (762)	0.128 (3)	0.105 (3)	Formed	0.563 (14)	10	20 lbs.	47 lbs.
BP9036	82.00 (2083)	32.00 (813)	80.00 (2032)	30.00 (762)	0.128 (3)	0.105 (3)	Formed	0.563 (14)	10	36 lbs.	79 lbs.

Caution: Metric units are for reference, do not convert. Note: When specifying combine Size ID Number and Material Suffix. Example: BP1610CS for 16x10 Carbon Steel Back Panel.

Back Panels – N Series – Free Standing, Double Door

CATALOG NUMBER	BA	BB	BK	BL	BT (AL)	BT (CS)	PANEL TYPE	HOLE DIA.	# OF HOLES	WEIGHT (ALUMINUM) SUFFIX: AL	WEIGHT (CARBON STEEL) SUFFIX: CS
BP6048**	52.50 (1334)	21.5 (546)	50.50 (1283)	19.50 (495)	0.128 (3)	0.105 (3)	Formed	0.563 (14)	10	1.5 lbs.	8.7 lbs.
BP6060**	52.50 (1334)	27.50 (699)	50.50 (1283)	25.50 (648)	0.128 (3)	0.105 (3)	Formed	0.563 (14)	10	4.5 lbs.	10.8 lbs.
BP7248**	64.00 (1626)	21.50 (546)	62.00 (1575)	19.50 (495)	0.128 (3)	0.105 (3)	Formed	0.563 (14)	10	18.5 lbs.	43 lbs.
BP7249**	64.00 (1626)	22.00 (559)	62.00 (1575)	20.00 (508)	0.128 (3)	0.105 (3)	Formed	.563 (13)	10	38 lbs	86 lbs
BP7260**	64.00 (1626)	27.50 (698)	62.00 (1575)	25.50 (648)	0.128 (3)	0.105 (3)	Formed	.563 (13)	10	46 lbs	109 lbs
BP7272**	64.00 (1626)	33.50 (851)	62.00 (1575)	31.50 (800)	0.128 (3)	0.105 (3)	Formed	0.563 (14)	10	38 lbs.	128 lbs.
BP7472**	66.00 (1676)	33.50 (851)	64.00 (1626)	31.50 (800)	0.128 (3)	0.105 (3)	Formed	0.563 (14)	10	60 lbs.	132 lbs.
BP9048**	82.00 (2083)	21.5 (546)	80.00 (2032)	19.50 (495)	0.128 (3)	0.105 (3)	Formed	0.563 (14)	10	48 lbs.	105 lbs.
BP9072**	82.00 (2083)	33.50 (851)	80.00 (2032)	31.50 (800)	0.128 (3)	0.105 (3)	Formed	0.563 (14)	10	72 lbs.	164 lbs.

Caution: Metric units are for reference, do not convert. Note: When specifying combine Size ID Number and Material Suffix. Example: BP1610CS for 16x10 Carbon Steel Back Panel.



** Set of two panels.