

Product availability : Stock - Normally stocked in distribution facility



Main

Accessory / separate part category	Cabling accessory
Accessory / separate part type	Pre-wired connectors
Series name	General purpose

Complementary

Electrical connection	M12, 4 pins elbowed female connector
Cable connector fixing	Screw-on
Collar material	Metal
Status LED	Without
Cable length	6.56 ft (2 m)
Cable outer diameter	0.2 in (5.2 mm)
Cable composition	4 x 0.34 mm ²
Wire insulation material	PUR
System Voltage	250 V AC 300 V DC
Line Rated Current	4 A
Contact resistance	<= 5000 μOhm
Insulating resistance	>= 1 GΩ
Product weight	0.2 lb(US) (0.09 kg)

Environment

IP degree of protection	IP65 IP67 IP69K
Product certifications	CULus
Ambient air temperature for operation	-40...176 °F (-40...80 °C) (static) 23...176 °F (-5...80 °C) (flexing)

Ambient air temperature for storage	-40...176 °F (-40...80 °C)
-------------------------------------	----------------------------

Ordering and shipping details

Category	22483 - MACHINE CABLES
Discount Schedule	DS3
GTIN	00785901763208
Nbr. of units in pkg.	1
Package weight(Lbs)	0.20999999999999999
Returnability	Y
Country of origin	CZ

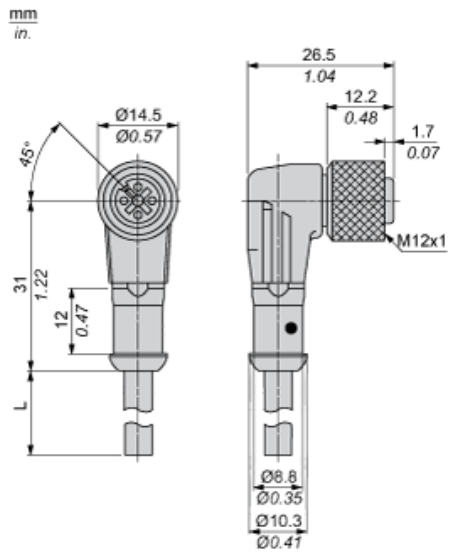
Offer Sustainability

Sustainable offer status	Green Premium product
RoHS (date code: YYWW)	Compliant - since 0649 - Schneider Electric declaration of conformity Schneider Electric declaration of conformity
REACH	Reference not containing SVHC above the threshold Reference not containing SVHC above the threshold
Product environmental profile	Available
Product end of life instructions	Available

Contractual warranty

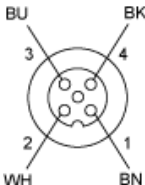
Warranty period	18 months
-----------------	-----------

Dimensions



Connections and Schemes

Connector



BN : Brown
BK : Black
BU : Blue
WH : White