



Main

| | |
|------------------------------------|--|
| Range of product | OsiSense XS |
| Series name | General purpose |
| Sensor type | Inductive proximity sensor |
| Device application | - |
| Sensor name | XS8 |
| Sensor design | Flat form 40 x 40 x 15 |
| Size | 15 mm |
| Body type | Fixed |
| Detector flush mounting acceptance | Non flush mountable |
| Material | Plastic |
| Enclosure material | PBT |
| Type of output signal | Discrete |
| Wiring technique | 2-wire |
| [Sn] nominal sensing distance | 0.59 in (15 mm) flush mountable 0.98 in (25 mm) non flush mountable |
| Discrete output function | 1 NC |
| Output circuit type | AC/DC |
| Electrical connection | Cable |
| Cable length | 6.56 ft (2 m) |
| [Us] rated supply voltage | 24...240 V AC/DC 50/60 Hz |
| Switching capacity in mA | 5...200 mA DC 5...300 mA AC |
| IP degree of protection | IP68 double insulation conforming to IEC 60529 |

Complementary

| | |
|--------------------------|--|
| Detection face | Frontal |
| Front material | PBT |
| Fine adjustment zone | 0.31...0.59 in (8...15 mm) flush mountable 0.31...0.98 in (8...25 mm) non flush mountable |
| Differential travel | 1...15% of Sr |
| Cable composition | 2 x 0.34 mm ² |
| Wire insulation material | PvR |
| Supply voltage limits | 20...264 V AC/DC |
| Residual current | <= 1.5 mA open state |
| Switching frequency | <= 1000 Hz |
| Voltage drop | <= 5.5 V at closed state |
| Current consumption | <= 10 mA at no-load |
| Delay first up | <= 10 ms |
| Delay response | <= 0.3 ms |
| Delay recovery | <= 0.8 ms |
| Marking | CE |
| Depth | 0.59 in (15 mm) |
| Height | 1.57 in (40 mm) |
| Width | 1.57 in (40 mm) |
| Product weight | 0.2 lb(US) (0.09 kg) |

Environment

| | |
|---------------------------------------|---|
| product certifications | CCC CSA UL Ecolab |
| ambient air temperature for operation | -13...158 °F (-25...70 °C) |
| ambient air temperature for storage | -40...185 °F (-40...85 °C) |
| vibration resistance | 25 gn amplitude = +/- 2 mm (f = 10...55 Hz) conforming to IEC 60068-2-6 |
| shock resistance | 50 gn 11 ms conforming to IEC 60068-2-27 |

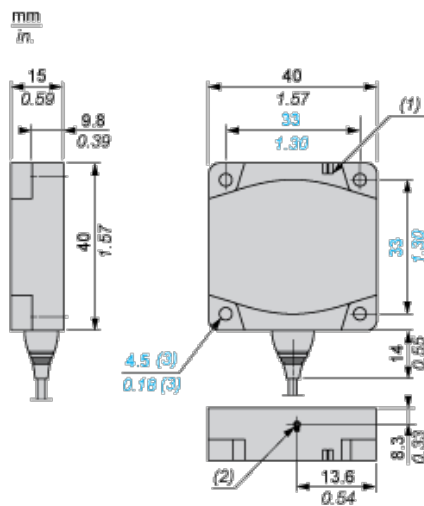
Offer Sustainability

| | |
|---|---|
| Green Premium product | Green Premium product |
| Compliant - since 0825 - Schneider Electric declaration of conformity | Compliant - since 0825 - Schneider Electric declaration of conformity |
| Reference not containing SVHC above the threshold | Reference not containing SVHC above the threshold |
| Available | Available |
| Need no specific recycling operations | Need no specific recycling operations |

Contractual warranty

| | |
|-----------------|-----------|
| Warranty period | 18 months |
|-----------------|-----------|

Dimensions

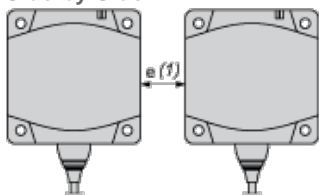


- (1) LED
- (2) Teach mode button
- (3) For CHC type screws

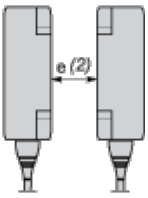
Setting-up

Minimum Mounting Distances (mm)

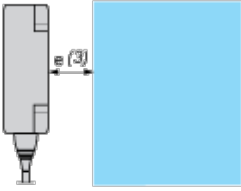
Side by Side



Face to Face



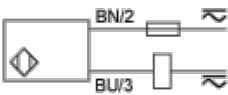
Facing a Metal Object



| | e (1) | e (2) | e (3) |
|-------------------|-------|-------|-------|
| Flush mounted | 60 | 120 | 15 |
| Not flush mounted | 125 | 250 | |

Wiring Schemes

2-Wire NC Output



BU : Blue
 BN : Brown