



## Main

Range of product	Zelio Relay
Product or component type	Socket
Contact terminal arrangement	Separate
Product compatibility	Plug-in relay, RSL, 1 C/O, control circuit 12 V DC Plug-in relay, RSL, 1 C/O, control circuit 24 V DC
Shape of pin	Flat
Device short name	RSLZ
Sale per indivisible quantity	10
Switching voltage	24 V AC/DC 12 V AC/DC

## Complementary

[Ith] conventional free air thermal current	6 A
System Voltage	< 300 V AC
Tightening torque	< 0.5 N.m (M2.5)
Fixing mode	Plastic compression spring mounting on 35 mm symmetrical DIN rail
Marking	CE
CAD overall width	0.24 in (6.2 mm)
CAD overall height	3.09 in (78.6 mm)
CAD overall depth	3.74 in (95 mm)
Product weight	0.05 lb(US) (0.023 kg)
Rated operational voltage limits	11.4...14.4 V 21.6...28.8 V

## Environment

connections - terminals	Connector, 1 x 0.2...1 x 2.5 mm <sup>2</sup> / AWG 24...AWG 14 flexible cable with cable end Connector, 1 x 0.2...1 x 2.5 mm <sup>2</sup> / AWG 24...AWG 14 solid cable without cable end
standards	IEC 61984 UL 508
product certifications	CSA GOST
ambient air temperature for storage	-40...185 °F (-40...85 °C)
ambient air temperature for operation	-40...158 °F (-40...70 °C)
IP degree of protection	IP20 conforming to EN/IEC 60529
dielectric strength	2500 V

## Offer Sustainability

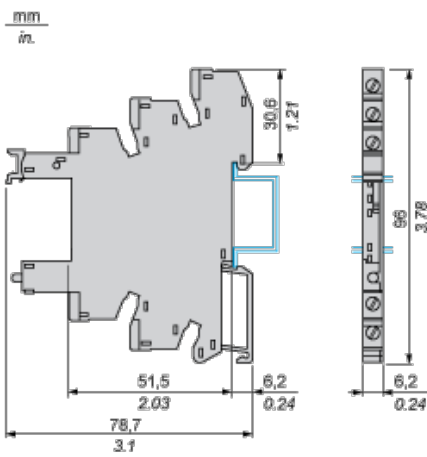
Not Green Premium product	Not Green Premium product
Compliant - since 1320 - Schneider Electric declaration of conformity	Compliant - since 1320 - Schneider Electric declaration of conformity
Reference not containing SVHC above the threshold	Reference not containing SVHC above the threshold
Available	Available

## Contractual warranty

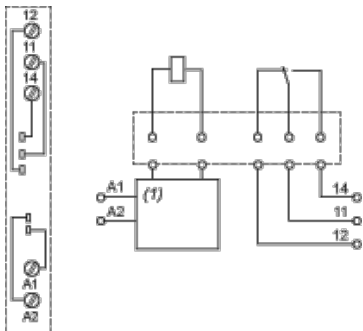
Warranty period	18 months
-----------------	-----------

## Dimensions

The information provided in this documentation contains general descriptions and/or technical characteristics of the products contained herein. This documentation is not intended as a substitute for and is not to be used for determining suitability or reliability of these products for specific user applications. It is the duty of any such user or integrator to perform the appropriate and complete risk analysis, evaluation and testing of the products with respect to the relevant specific application or use thereof. Neither Schneider Electric Industries SAS nor any of its affiliates or subsidiaries shall be responsible or liable for misuse of the information contained herein.



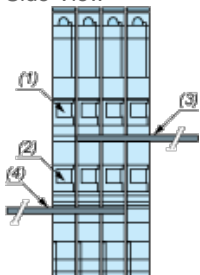
## Wiring Diagram



(1) Protection circuit

## Example of RSLZ2 Bus Jumper Mounting on Sockets

Side View



- (1) A1
- (2) A2
- (3) Bus jumper polarity A1
- (4) Bus jumper polarity A2