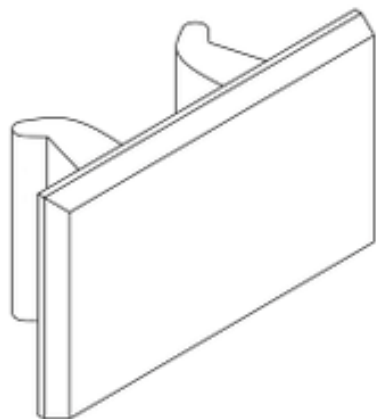


Product availability : Stock - Normally stocked in distribution facility



Main

Range of product	Zelio Relay
Accessory / separate part category	Marking accessory
Accessory / separate part type	Clip-in legend

Complementary

Product compatibility	Socket RSLZ
Accessory / separate part destination	Slim interface relay socket
Product weight	0 lb(US) (0.001 kg)

Ordering and shipping details

Category	21127 - ZELIO ICE CUBE RELAYS
Discount Schedule	CP2
GTIN	00785901957256
Nbr. of units in pkg.	2
Package weight(Lbs)	2.999999999999999E-2
Returnability	Y
Country of origin	CN

Offer Sustainability

Sustainable offer status	Green Premium product
RoHS (date code: YYWW)	Compliant - since 1417 - Schneider Electric declaration of conformity Schneider Electric declaration of conformity
REACH	Reference not containing SVHC above the threshold Reference not containing SVHC above the threshold
Product environmental profile	Available
Product end of life instructions	Available

Contractual warranty

Warranty period	18 months
-----------------	-----------
