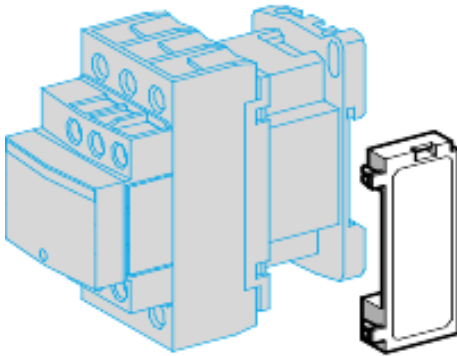


LAD4TBDL

CONTACTOR BI DIRECTIONAL LIMITING DIODE

Product availability : Stock - Normally stocked in distribution facility

Price* : 26.20 USD



Main

Range	TeSys
Device short name	LAD4
Product or component type	Suppressor module
Product compatibility	LC1DT20...DT40 LC1D09...D38

Complementary

Mounting location	Side
Mounting mode	By clips
Suppressor technology	Bidirectional peak limiting diode
[Uc] control circuit voltage	24 V DC
Maximum peak voltage	2 Uc
Product weight	0.03 lb(US) (0.012 kg)

Environment

Ambient air temperature for operation	-13...131 °F (-25...55 °C)
Ambient air temperature for storage	-40...176 °F (-40...80 °C)

Ordering and shipping details

Category	22341 - CONTACTOR,D,K,&F ACCESS
Discount Schedule	I12
GTIN	00785901535454
Nbr. of units in pkg.	1
Package weight(Lbs)	2.999999999999999E-2
Returnability	Y

Country of origin	FR
-------------------	----

Contractual warranty

Warranty period	18 months
-----------------	-----------
