



Main

Range of product	Magelis STO & STU
Product or component type	Touch panel screen
Software designation	Vijeo Designer
Operating system	Magelis
Processor name	CPU ARM9

Complementary

Display size	5.7 inch
Display type	QVGA TFT colour touchscreen
Display colour	65536 colours
Display resolution	320 x 240 pixels QVGA
Touch panel	Analogue
Backlight lifespan	50000 hours
Brightness	16 levels
Character font	ASCII Chinese (simplified Chinese) Japanese (ANK, Kanji) Korean Taiwanese (traditional Chinese)
[Us] rated supply voltage	24 V DC
Supply	External source
Supply voltage limits	20.4...28.8 V
Inrush current	<= 30 A
Power consumption in W	6.8 W
Number of pages	Limited by internal memory capacity
Processor frequency	333 MHz
Memory description	Application memory, 16 MB Back up of data, 64 kB
Integrated connection type	1 USB 2.0 type mini B 1 USB 2.0 type A Removable screw terminal block connector power supply Female RJ45 connector COM1 serial link with RS232C/RS485 interface at <= 115.2 kbits/s
Realtime clock	Access to the PLC real-time clock
Downloadable protocols	Modbus Modbus TCP/IP Third party protocols Uni-TE
Fixing mode	Ø 22 mm hole
Enclosure material	PC/PBT and PAA
Marking	CE With Schneider logo
Height	5.08 in (129.15 mm)
Width	6.42 in (163 mm)
Depth	2.22 in (56.5 mm)

Environment

immunity to microbreaks	<= 7 ms
-------------------------	---------

The information provided in this documentation contains general descriptions and/or technical characteristics of the products contained herein. This documentation is not intended as a substitute for and is not to be used for determining suitability or reliability of these products for specific user applications. It is the duty of any such user or integrator to perform the appropriate and complete risk analysis, evaluation and testing of the products with respect to the relevant specific application or use thereof. Neither Schneider Electric Industries SAS nor any of its affiliates or subsidiaries shall be responsible or liable for misuse of the information contained herein.

standards	EN 61131-2 FCC Class A IEC 61000-6-2 UL 1604 UL 508
product certifications	C-Tick CULus UL class 1 Div2 T4A ou T5 Marine
ambient air temperature for operation	32...122 °F (0...50 °C)
ambient air temperature for storage	-4...140 °F (-20...60 °C)
relative humidity	0...85 % without condensation
operating altitude	<= 6561.68 ft (2000 m)
IP degree of protection	IP20 (rear panel) conforming to IEC 60529 IP65 (front panel) conforming to IEC 60529
NEMA degree of protection	NEMA 4X front panel (indoor use)
shock resistance	15 gn 11 ms conforming to IEC 60068-2-27
vibration resistance	+/- 3.5 mm (f = 5...9 Hz) conforming to IEC 60068-2-6 1 gn (f = 9...150 Hz) conforming to IEC 60068-2-6
resistance to electromagnetic fields	9.14 V/yd (10 V/m) conforming to IEC 61000-4-3

Offer Sustainability

Not Green Premium product	Not Green Premium product
Compliant - since 1039 - Schneider Electric declaration of conformity	Compliant - since 1039 - Schneider Electric declaration of conformity
Reference not containing SVHC above the threshold	Reference not containing SVHC above the threshold

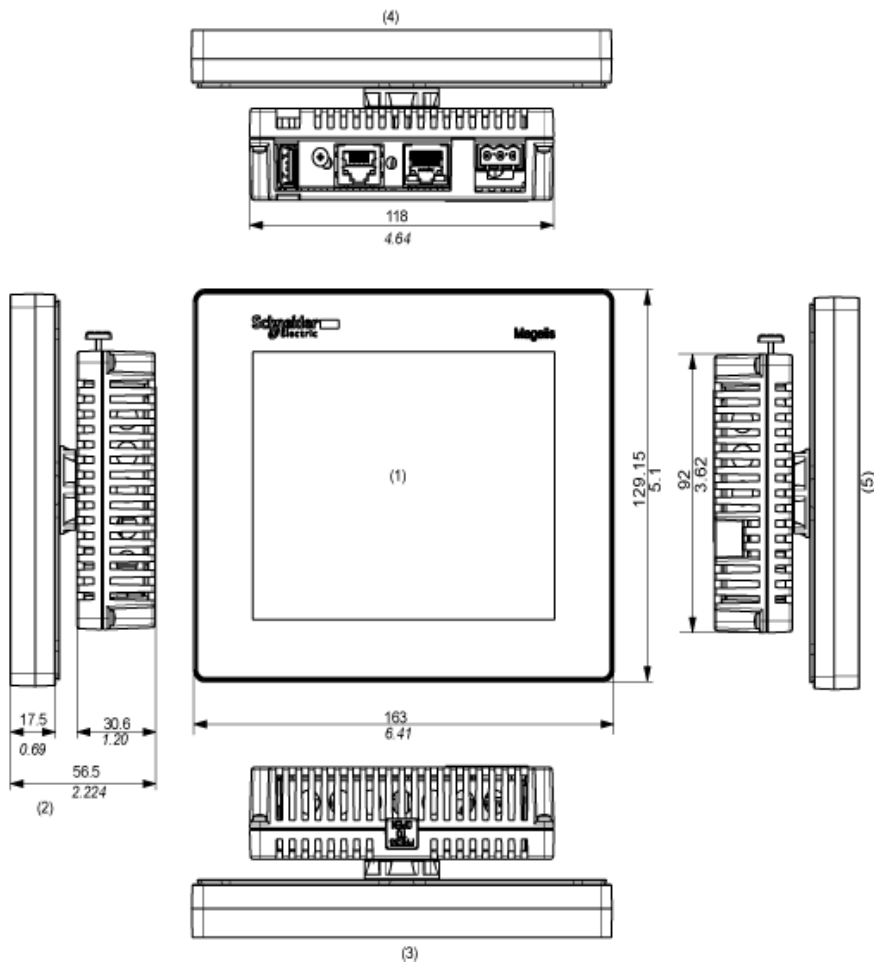
Contractual warranty

Warranty period	18 months
-----------------	-----------

Display and Rear Modules

Dimensions

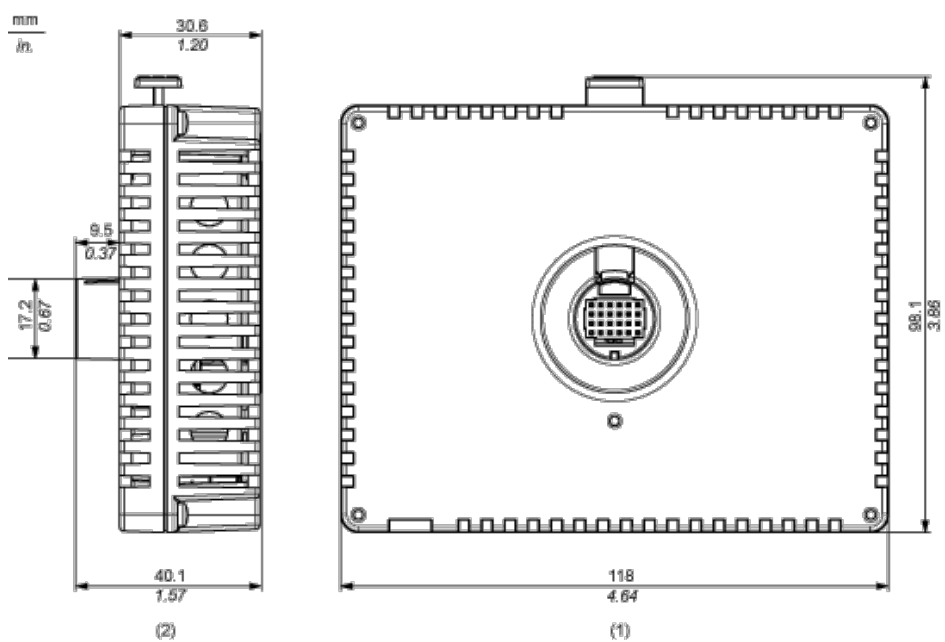
mm
in.



- (1) Front
- (2) Right side
- (3) Top
- (4) Bottom
- (5) Left side

Rear Module

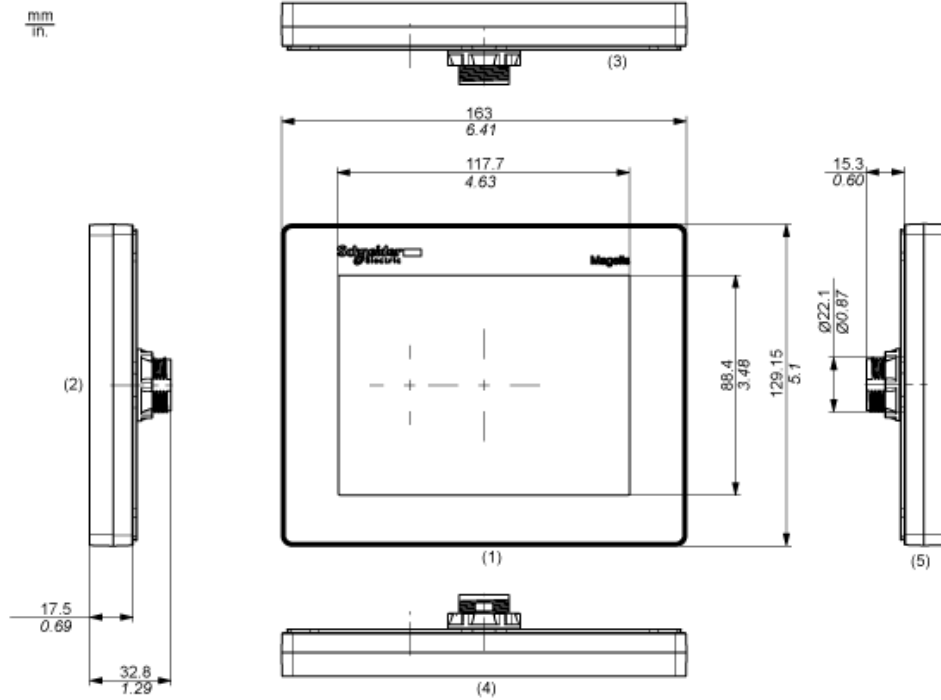
Dimensions



- (1) Front
- (2) Right Side

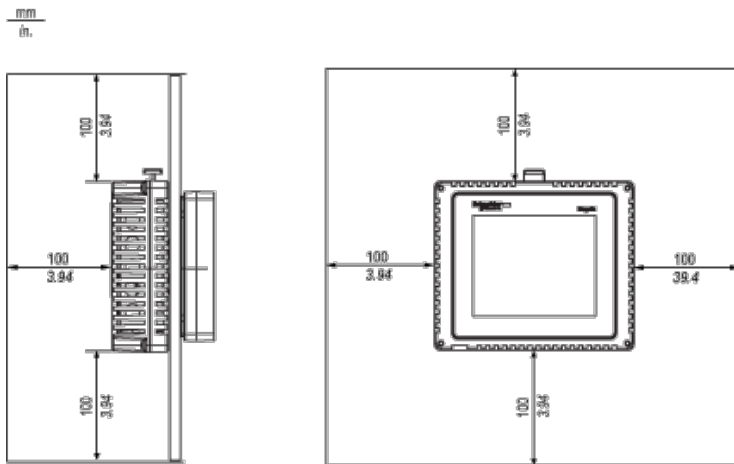
Display Module

Dimensions

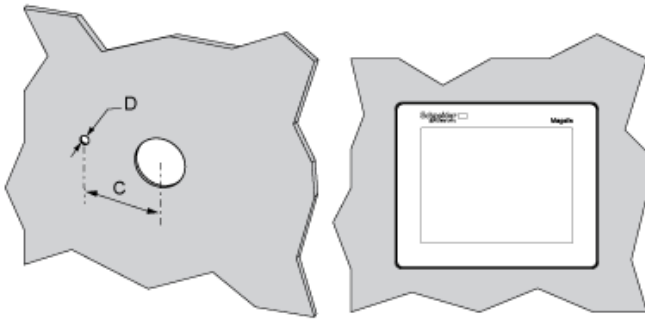


- (1) Front
- (2) Right Side
- (3) Bottom
- (4) Top
- (5) Left Side

Clearance



Panel Cut-out Dimensions



C (mm)	C (in.)	D (mm)	D (in.)
+0	+0	+0	+0
30.00	1.18	4.00	0.15
-0.20	-0.007	-0.20	-0.007

NOTE: With the tee option, the rotating torque that can be supported by the display module is 6 Nm (53.10 in-lb).