

## Main

Range of product	Harmony STO & STU
Product or component type	Touch panel screen
Software designation	Vijeo Designer
Operating system	Harmony
Processor name	CPU RISC

## Complementary

Display size	3.4 inch
Display type	Backlit monochrome STN LCD
Background colour	White, pink and red
Display resolution	200 x 80 pixels
Touch panel	Analogue
Backlight lifespan	10000 hours red 50000 hours pink 50000 hours white
Brightness	8 levels
Contrast	16 levels via touch panel
Character font	Korean Japanese (ANK, Kanji) Taiwanese (traditional Chinese) Chinese (simplified Chinese) ASCII
[Us] rated supply voltage	24 V DC +/- 20 %
Inrush current	30 A
Local signalling	Normal operation 1 LED green)
Power consumption in W	5 W
Number of pages	Limited by internal memory capacity
Processor frequency	333 MHz
Memory description	Application memory 16 MB Back up of data 128 kB
Integrated connection type	1 USB 2.0 type mini B 1 USB 2.0 type A Power supply - removable screw terminal block Serial link - 9-pin terminal block - RS232C
Supply	External source
Realtime clock	Access to the PLC real-time clock
Downloadable protocols	Zelio
Range compatibility	Zelio Logic
Fixing mode	By 2 spring clips 1.6...5 mm thick panel
Enclosure material	PPT
Marking	CE

## Environment

Immunity to microbreaks	3 ms
Standards	IEC 61000-6-2 FCC Class A UL 508 UL 1604 EN 61131-2
Product certifications	CE UL Class 1 Division 2 T5 UL Class 1 Division 2 T4A C-tick CULus
Ambient air temperature for operation	32...122 °F (0...50 °C)
Ambient air temperature for storage	-4...140 °F (-20...60 °C)
Relative humidity	0...90 % without condensation
Operating altitude	<= 6561.68 ft (2000 m)
IP degree of protection	IP20 IEC 60529 rear panel) IP65 IEC 60529 front panel)
NEMA degree of protection	NEMA 4X front panel indoor use)
Shock resistance	15 gn 11 ms IEC 60068-2-27
Vibration resistance	+/- 3.5 mm 5...9 Hz) IEC 60068-2-6 1 gn 9...150 Hz) IEC 60068-2-6
Electromagnetic compatibility	Resistance to radiated electromagnetic fields 10 V/m IEC 61000-4-3

## Ordering and shipping details

Category	22569 - MAGELIS XBT-GT (AND XBT-G)
Discount Schedule	MC2
GTIN	00785901071518
Nbr. of units in pkg.	1
Package weight(Lbs)	1 lb(US) (0.45 kg)
Returnability	No
Country of origin	CN

## Packing Units

Unit Type of Package 1	PCE
Package 1 Height	3.35 in (8.5 cm)
Package 1 width	5.12 in (13 cm)
Package 1 Length	7.48 in (19 cm)
Unit Type of Package 2	S03
Number of Units in Package 2	12
Package 2 Weight	179.86 oz (5099 g)
Package 2 Height	11.81 in (300 mm)
Package 2 width	11.81 in (300 mm)
Package 2 Length	15.75 in (400 mm)

## Offer Sustainability

REACH free of SVHC	Yes
EU RoHS Directive	Pro-active compliance (Product out of EU RoHS legal scope)  <a href="#">EU RoHS Declaration</a>
Mercury free	Yes
RoHS exemption information	 <a href="#">Yes</a>
China RoHS Regulation	 <a href="#">China RoHS Declaration</a>
WEEE	The product must be disposed on European Union markets following specific waste collection and never end up in rubbish bins.

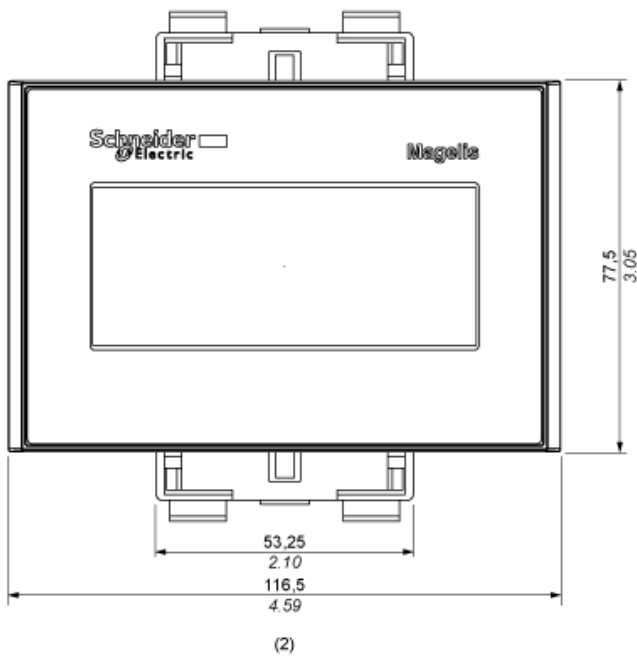
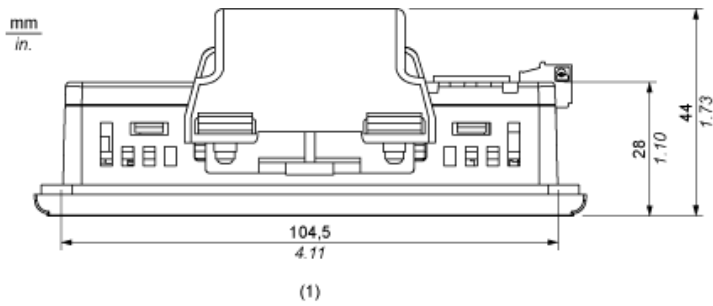
## Contractual warranty

---

Warranty	18 months
----------	-----------

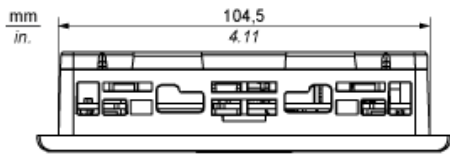
---

## Dimensions with Spring Clips

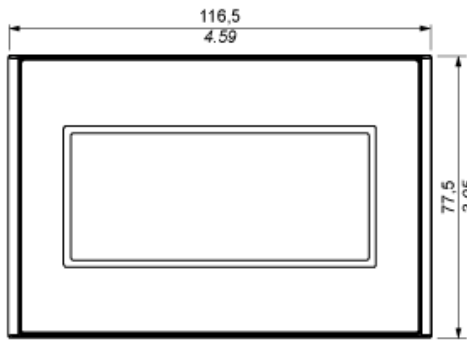


- (1) Top
- (2) Front

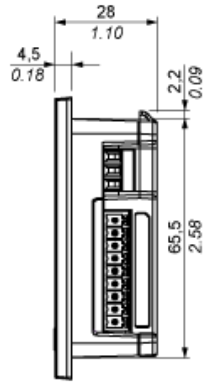
## Dimensions without Spring Clips



(1)



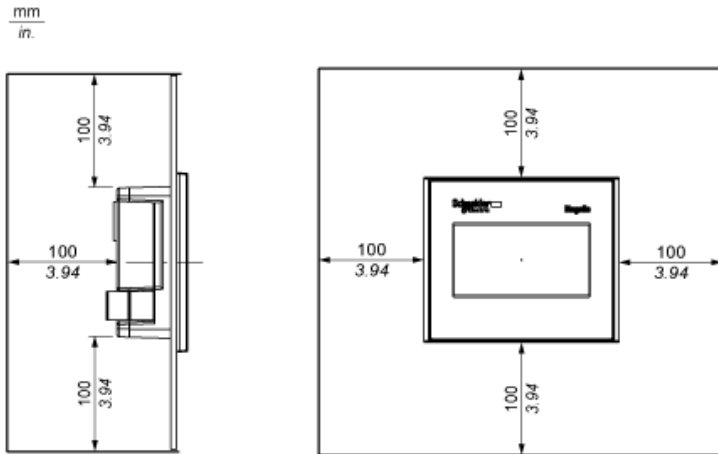
(2)



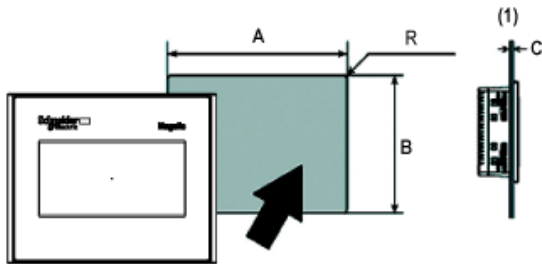
(3)

- (1) Top
- (2) Front
- (3) Right Side

Clearance



Panel Cut-out Dimensions



(1) Panel

A (mm)	A (in.)	B (mm)	B (in.)	C (mm) Spring Clips	C (in.) Spring Clips	R (mm)	R (in.)
+1	+0.04	+1	+0.04	1.5 to 6.0	0.059 to 0.236	2.0 to 3.0	0.078 to 0.118
105	4.13	66	2.59				
-0	-0	-0	-0				