

# BMXDDM3202K

discrete I/O module M340 - 16 inputs - 24 V DC -  
16 outputs - solid state

Product availability : Stock - Normally stocked in distribution facility



Price\* : 705.00 USD



## Main

Range of product	Modicon M340 automation platform
Product or component type	Discrete I/O module
Electrical connection	20-way connector
Discrete input number	16
Input type	Current sink (logic positive)
Discrete input voltage	24 V DC positive
Discrete input current	2.5 mA
Input compatibility	With 2-wire/3-wire proximity sensors conforming to IEC 60947-5-2
Discrete output number	16
Discrete output type	Solid state
Discrete output voltage	24 V 19...30 V DC
Discrete output current	0.1 A

## Complementary

Sensor power supply	19...30 V
Voltage state 1 guaranteed	$\geq 11$ V
Current state 1 guaranteed	$\geq 2$ mA
Voltage state 0 guaranteed	$\leq 5$ V
Current state 0 guaranteed	$\leq 1.5$ mA
Current per channel	$\leq 0.125$ A
Current per module	$\leq 3.2$ A
Leakage current	$\leq 0.1$ mA at state 0
[Ures] residual voltage	$\leq 1.5$ V at state 1
Input impedance	9600 Ohm
Insulation resistance	$> 10$ MOhm 500 V DC
Power dissipation in W	$\leq 4$ W

DC typical filtering time	4 ms
DC maximum filtering time	7 ms
Response time on output	1.2 ms
Paralleling of outputs	Yes : 3 maximum
Typical current consumption	69 mA at 24 V DC 150 mA at 3.3 V DC
Current consumption	<= 104 mA at 24 V DC <= 166 mA at 3.3 V DC
MTBF reliability	432904 H
Protection type	Overvoltage protection on output Reverse polarity protection on input Reverse polarity protection on output 1 external fuse per group of input channel 0.5 A fast blow
Output overload protection	With current limiter With electronic circuit breaker 0.125 A < Id < 0.185 A
Output overvoltage protection	With transil diode
Output short-circuit protection	With 2 A external fuse
Reverse polarity protection	Reverse mounted diode
Voltage detection threshold	< 14 V DC preactuator fault < 14 V DC sensor fault > 18 V DC preactuator OK > 18 V DC sensor OK
Tungsten load	<= 1.2 W
Switching frequency	0.5/LI <sup>2</sup> Hz
Overload time	<= 15 ms
Load impedance ohmic	<= 220 Ohm
Status LED	1 LED green module operating (RUN) 1 LED per channel green channel diagnostic 1 LED red module I/O 1 LED red module error (ERR)
Product weight	0.24 lb(US) (0.11 kg)

## Environment

IP degree of protection	IP20
Standards	UL 746C UL 508 CSA C22.2 No 142 NF C 63-850 IEC 664 IEC 1131-2
Dielectric strength	1500 V AC at 50/60 Hz 1 minute, output/ground 1500 V AC at 50/60 Hz 1 minute, output/internal logic 1500 V AC at 50/60 Hz 1 minute, primary/secondary 500 V DC 1 minute, between group of inputs and outputs
Ambient air temperature for operation	32...140 °F (0...60 °C)
Relative humidity	10...95 % without condensation
Protective treatment	TC

## Ordering and shipping details

Category	18160 - MODICON M340
Discount Schedule	PC34
GTIN	00785901501626
Nbr. of units in pkg.	1
Package weight(Lbs)	0.39000000000000001
Returnability	Y
Country of origin	FR

## Offer Sustainability

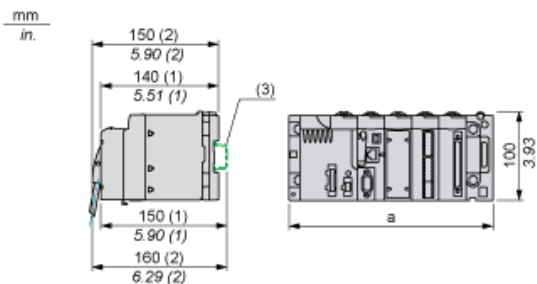
Sustainable offer status	Green Premium product
RoHS (date code: YYWW)	Compliant - since 0722 - Schneider Electric declaration of conformity <a href="#">Schneider Electric declaration of conformity</a>
REACH	Reference not containing SVHC above the threshold <a href="#">Reference not containing SVHC above the threshold</a>
Product environmental profile	Available
Product end of life instructions	Available

## Contractual warranty

Warranty period	18 months
-----------------	-----------

Modules Mounted on Racks

Dimensions

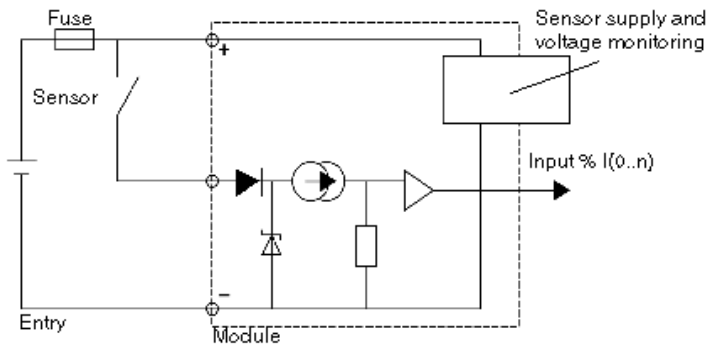


- (1) With removable terminal block (cage, screw or spring).
- (2) With FCN connector.
- (3) On AM1 ED rail: 35 mm wide, 15 mm deep. Only possible with BMXXBP0400/0400H/0600/0600H/0800/0800H rack.

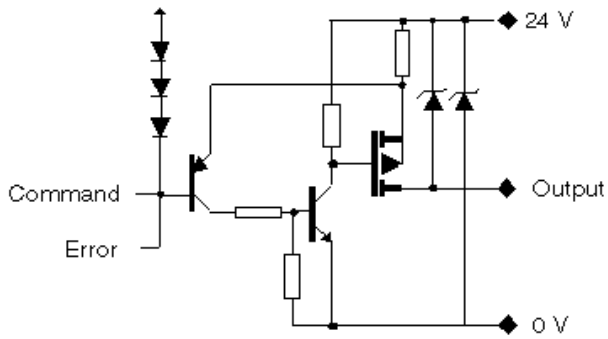
Rack references	a in mm	a in in.
BMXXBP0400 and BMXXBP0400H	242.4	09.54
BMXXBP0600 and BMXXBP0600H	307.6	12.11
BMXXBP0800 and BMXXBP0800H	372.8	14.68
BMXXBP1200 and BMXXBP1200H	503.2	19.81

Connecting the Module

Input Circuit Diagram



Output Circuit Diagram



Module Connection

- power supply
- input fuse blow fuse of 0.5 A
- output fuse blow fuse of 2 A
- pre-actuator
- SPS sensor power supply
- PPS pre-actuator power supply