

# BMXDDM16025

discrete I/O module M340 - 8 inputs - 24 V DC - 8 outputs - relay

Product availability : Stock - Normally stocked in distribution facility



Price\* : 429.00 USD



## Main

Range of product	Modicon M340 automation platform
Product or component type	Discrete I/O module
Electrical connection	20-way connector
Discrete input number	8
Input type	Current sink (logic positive)
Discrete input voltage	24 V DC positive
Discrete input current	3.5 mA
Input compatibility	With 2-wire/3-wire proximity sensors conforming to IEC 60947-5-2
Discrete output number	8
Discrete output type	Relay
Discrete output voltage	24 V 19...30 V DC 24...240 V 10...264 V AC
Discrete output current	2000 mA

## Complementary

Sensor power supply	19...30 V
Voltage state 1 guaranteed	$\geq 11$ V
Current state 1 guaranteed	$\geq 2$ mA
Voltage state 0 guaranteed	$\leq 5$ V
Current state 0 guaranteed	$\leq 1.5$ mA
Input impedance	6800 Ohm
Insulation resistance	$> 10$ MOhm 500 V DC
Power dissipation in W	$\leq 3.1$ W
DC typical filtering time	4 ms
DC maximum filtering time	7 ms
Response time on output	$\leq 10$ ms deactivation

	<= 12 ms activation
Paralleling of inputs	No
Typical current consumption	100 mA at 3.3 V DC
MTBF reliability	912167 H
Protection type	1 external fuse per output channel or group of output channel fast blow Reverse polarity protection on input 1 external fuse per group of input channel 0.5 A fast blow
Voltage detection threshold	< 14 V DC sensor fault > 18 V DC sensor OK
Minimum switching current	1 mA 5 V DC
Maximum switching voltage	125 V DC 264 V AC
Mechanical durability	>= 20000000 cycles
Electrical durability	100000 cycles AC-14 240 VA 240 V 0.7 100000 cycles AC-14 300 VA 200 V 0.7 100000 cycles AC-15 120 VA 240 V 0.35 100000 cycles AC-15 200 VA 200 V 0.35 100000 cycles DC-13 24 W 24 V 300000 cycles AC-14 72 VA 240 V 0.7 300000 cycles AC-14 80 VA 200 V 0.7 300000 cycles AC-15 36 VA 240 V 0.35 300000 cycles AC-15 60 VA 200 V 0.35 300000 cycles DC-13 7.2 W 24 V
Switching frequency	1 Hz
Status LED	1 LED green module operating (RUN) 1 LED per channel green channel diagnostic 1 LED red module I/O 1 LED red module error (ERR)
Product weight	0.3 lb(US) (0.135 kg)

## Environment

IP degree of protection	IP20
Standards	IEC 664 UL 508 IEC 1131-2 CSA C22.2 No 142 NF C 63-850 UL 746C
Dielectric strength	1500 V AC at 50/60 Hz 1 minute, primary/secondary 2830 V AC at 50/60 Hz 1 minute, output relay 500 V DC 1 minute, between group of I/O
Ambient air temperature for operation	32...140 °F (0...60 °C)
Relative humidity	10...95 % without condensation
Protective treatment	TC

## Ordering and shipping details

Category	18160 - MODICON M340
Discount Schedule	PC34
GTIN	00785901476375
Nbr. of units in pkg.	1
Package weight(Lbs)	0.37
Returnability	Y
Country of origin	FR

## Offer Sustainability

Sustainable offer status	Green Premium product
RoHS (date code: YYWW)	Compliant - since 0722 - Schneider Electric declaration of conformity <a href="#">Schneider Electric declaration of conformity</a>
REACH	Reference not containing SVHC above the threshold

Reference not containing SVHC above the threshold

---

Product environmental profile	Available
Product end of life instructions	Available

---

### Contractual warranty

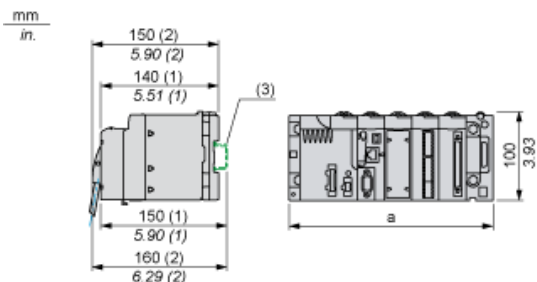
---

Warranty period	18 months
-----------------	-----------

---

Modules Mounted on Racks

Dimensions



- (1) With removable terminal block (cage, screw or spring).
- (2) With FCN connector.
- (3) On AM1 ED rail: 35 mm wide, 15 mm deep. Only possible with BMXXBP0400/0400H/0600/0600H/0800/0800H rack.

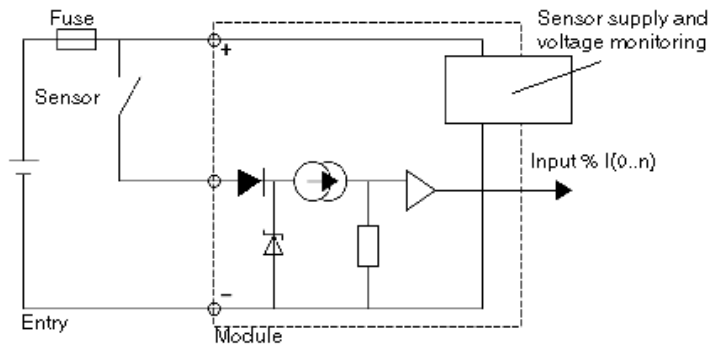
Rack references	a in mm	a in in.
BMXXBP0400 and BMXXBP0400H	242.4	09.54
BMXXBP0600 and BMXXBP0600H	307.6	12.11
BMXXBP0800 and BMXXBP0800H	372.8	14.68
BMXXBP1200 and BMXXBP1200H	503.2	19.81

---

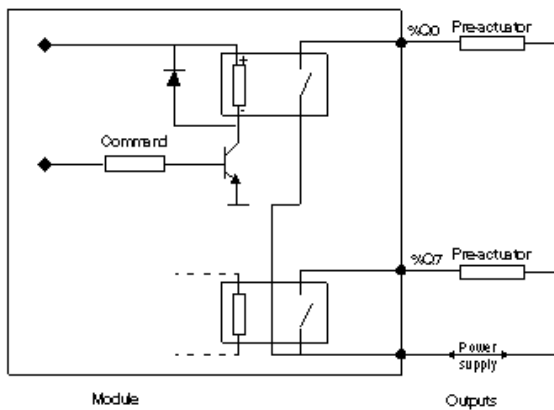
Connecting the Module

---

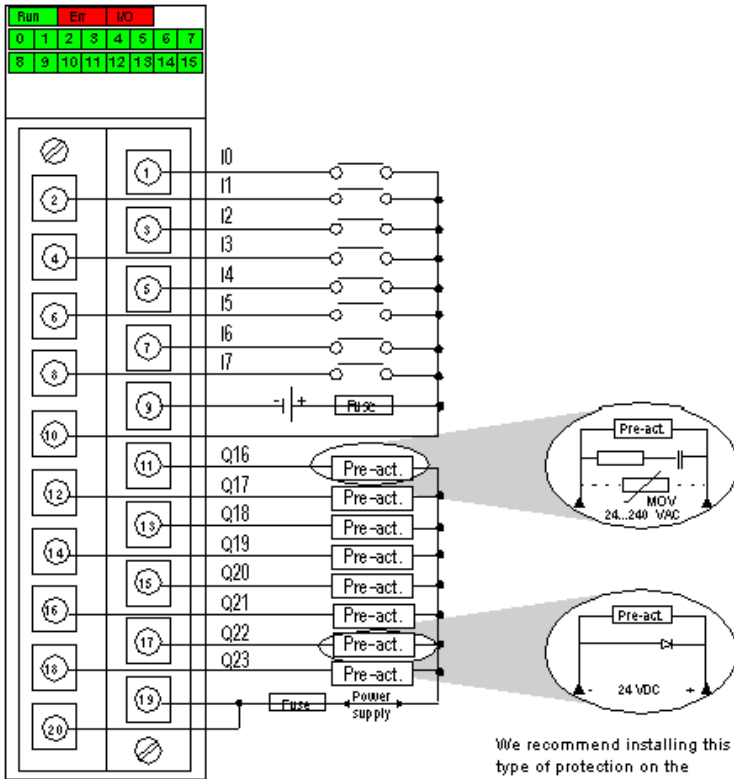
Input Circuit Diagram



Output Circuit Diagram



## Module Connection



We recommend installing this type of protection on the terminals of each pre-actuator.

input power supply  
 output power supply 24 VDC  
 input fuse fast blow fuse of 0.5 A  
 output fuse fast blow fuse of 12 A  
 pre-actuator