

Product availability : Stock - Normally stocked in distribution facility



Price* : 792.00 USD



Main

Range of product	Modicon M340 automation platform
Product or component type	Analog output module
Electrical connection	1 connector 20 ways
Input output isolation	Non isolated

Complementary

Measurement error	$\leq 0.25\%$ of full scale 0...60 °C 0.1 % of full scale 25 °C
Temperature drift	45 ppm/°C 0...20 mA 45 ppm/°C 4...20 mA
Common mode between channels	≥ 80 dB
Isolation voltage	1400 V DC between channels and ground 1400 V DC between channels and bus
Detection type	Open circuit 4...20 mA Short circuit 0...20 mA
Load impedance ohmic	≤ 350 Ohm 0...20 mA ≤ 350 Ohm 4...20 mA
Output level	High level
Analogue output number	8
Analogue output type	Current 0...20 mA Current 4...20 mA
Analogue output resolution	15 bits + sign
Supply	Internal power supply via rack
Conversion time	≤ 4 ms
Maximum conversion value	0...21 mA 0...20 mA 0...21 mA 4...20 mA
Fallback mode	Configurable Predefined
Status LED	1 LED green RUN 1 LED per channel green channel diagnostic

	1 LED red ERR 1 LED red I/O
Product weight	0.33 lb(US) (0.15 kg)
Current consumption	150 mA at 3.3 V DC 74 mA at 24 V DC

Environment

Ambient air temperature for operation	32...140 °F (0...60 °C)
Relative humidity	10...95 % without condensation
IP degree of protection	IP20
Protective treatment	TC

Ordering and shipping details

Category	18160 - MODICON M340
Discount Schedule	PC34
GTIN	00785901628712
Nbr. of units in pkg.	1
Package weight(Lbs)	0.39000000000000001
Returnability	Y
Country of origin	FR

Offer Sustainability

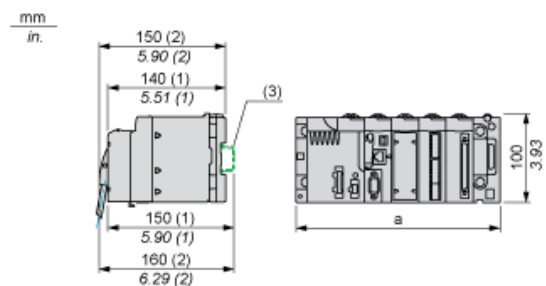
Sustainable offer status	Green Premium product
RoHS (date code: YYWW)	Compliant - since 0901 - Schneider Electric declaration of conformity Schneider Electric declaration of conformity
REACH	Reference not containing SVHC above the threshold Reference not containing SVHC above the threshold
Product environmental profile	Available
Product end of life instructions	Available

Contractual warranty

Warranty period	18 months
-----------------	-----------

Modules Mounted on Racks

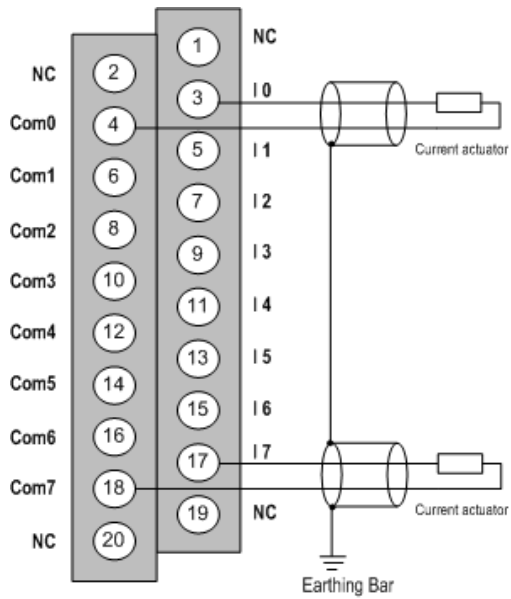
Dimensions



- (1) With removable terminal block (cage, screw or spring).
- (2) With FCN connector.
- (3) On AM1 ED rail: 35 mm wide, 15 mm deep. Only possible with BMXXBP0400/0400H/0600/0600H/0800/0800H rack.

Rack references	a in mm	a in in.
BMXXBP0400 and BMXXBP0400H	242.4	09.54
BMXXBP0600 and BMXXBP0600H	307.6	12.11
BMXXBP0800 and BMXXBP0800H	372.8	14.68
BMXXBP1200 and BMXXBP1200H	503.2	19.81

Wiring Diagram



Ix + pole input for channel x.
COMx pole input for channel x, COMx are connected together internally.
The current loop is self-powered by the output and does not request any external supply.