

Product data sheet

Characteristics

9001SKY3

empty control station - 9001SK - plastic - 3 cut-outs Ø 30

Product availability : Stock - Normally stocked in distribution facility



Price* : 228.00 USD



Main

| | |
|---------------------------|----------------------------------|
| Range of product | Harmony 9001SK Harmony 9001K |
| Product or component type | Empty enclosure |
| Device short name | 9001SK |
| Number of cut-out | 3 cut-outs |
| Cable entry | 1 entry tapped for 3/4" knockout |

Complementary

| | |
|---------------------|--|
| Product destination | For Ø 30 mm control and signalling units |
| Material | Plastic |
| Product weight | 1.74 lb(US) (0.79 kg) |

Environment

| | |
|---------------------------------------|--|
| Protective treatment | TH |
| Ambient air temperature for storage | -40...158 °F (-40...70 °C) |
| Ambient air temperature for operation | -13...158 °F (-25...70 °C) |
| Overvoltage category | II conforming to IEC 61140 |
| NEMA degree of protection | NEMA 1 NEMA 12 NEMA 3 NEMA 4 NEMA 4X |

Ordering and shipping details

| | |
|-------------------|---------------------|
| Category | 21429 - 9001 SK,SKY |
| Discount Schedule | CS1 |
| GTIN | 00785901154099 |

| | |
|-----------------------|--------------------|
| Nbr. of units in pkg. | 1 |
| Package weight(Lbs) | 2.0300000000000002 |
| Returnability | Y |
| Country of origin | MX |

Offer Sustainability

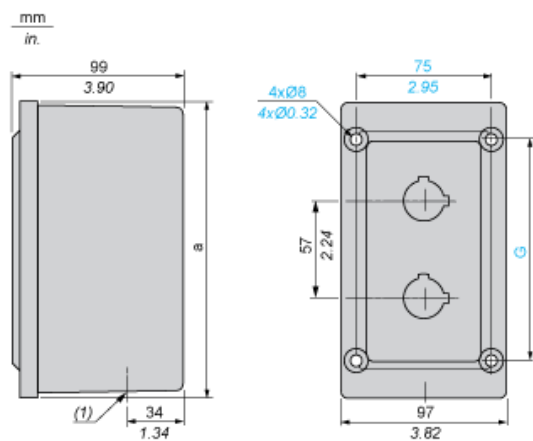
| | |
|----------------------------------|---|
| Sustainable offer status | Green Premium product |
| RoHS (date code: YYWW) | Compliant - since 1230 - Schneider Electric declaration of conformity Schneider Electric declaration of conformity |
| REACH | Reference not containing SVHC above the threshold Reference not containing SVHC above the threshold |
| Product environmental profile | Available |
| Product end of life instructions | Need no specific recycling operations |

Contractual warranty

| | |
|-----------------|-----------|
| Warranty period | 18 months |
|-----------------|-----------|

Dimensions

Below drawing shows a 2-hole enclosure. Refer to the product characteristics to get the number of holes.



(1) Knockout conduit thread: 3/4".

| a | | G | |
|-----|------|-----|------|
| mm | in. | mm | in. |
| 226 | 8.90 | 181 | 7.12 |