

Product data sheet

Characteristics

9001SKY2

empty control station - 9001SK - plastic - 2 cut-outs Ø 30

Product availability : Stock - Normally stocked in distribution facility



Price* : 201.00 USD



Main

Range of product	Harmony 9001SK Harmony 9001K
Product or component type	Empty enclosure
Device short name	9001SK
Number of cut-out	2 cut-outs
Cable entry	1 entry tapped for 3/4" knockout

Complementary

Product destination	For Ø 30 mm control and signalling units
Material	Plastic
Product weight	1.52 lb(US) (0.69 kg)

Environment

Protective treatment	TH
Ambient air temperature for storage	-40...158 °F (-40...70 °C)
Ambient air temperature for operation	-13...158 °F (-25...70 °C)
Overvoltage category	II conforming to IEC 61140
NEMA degree of protection	NEMA 1 NEMA 12 NEMA 3 NEMA 4 NEMA 4X

Ordering and shipping details

Category	21429 - 9001 SK,SKY
Discount Schedule	CS1
GTIN	00785901154082

Nbr. of units in pkg.	1
Package weight(Lbs)	1.7
Returnability	Y
Country of origin	MX

Offer Sustainability

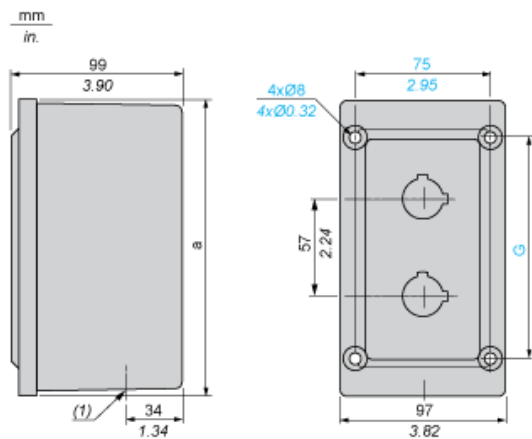
Sustainable offer status	Green Premium product
RoHS (date code: YYWW)	Compliant - since 1230 - Schneider Electric declaration of conformity Schneider Electric declaration of conformity
REACH	Reference not containing SVHC above the threshold Reference not containing SVHC above the threshold
Product environmental profile	Available
Product end of life instructions	Need no specific recycling operations

Contractual warranty

Warranty period	18 months
-----------------	-----------

Dimensions

Below drawing shows a 2-hole enclosure. Refer to the product characteristics to get the number of holes.



(1) Knockout conduit thread: 3/4".

a		G	
mm	in.	mm	in.
169	6.65	124	4.88