

# 140DRC83000

## relay discrete output module Modicon Quantum - 8 O

Product availability : Stock - Normally stocked in distribution facility

Price\* : 1309.85 USD



### Main

Range of product	Modicon Quantum automation platform
Product or component type	Relay discrete output module
Discrete output number	8

### Complementary

Contacts type and composition	1 NO/NC
Contact form	Form C
Discrete output voltage	20...250 V AC 30...150 V DC 5...30 V DC
Addressing requirement	0.5 output word
Maximum load current	100 mA 30...50 V DC L/R = 10 ms 2 A 250/30 V AC/DC tungsten 1/4 hp cos phi = 0.4 3 A 250/30 V AC/DC 300 mA 30...50 V DC resistive 5 A 250/30 V AC/DC resistive at 140 °F (60 °C)
Surge current	<= 20 A for 10 ms capacitive
Switching frequency	30 Hz resistive F = 0.5/I²L inductive
Switching capacity in VA	1250 VA resistive
Response time on input open	<= 10 ms at state 0 to state 1 <= 20 ms at state 1 to state 0
Mechanical durability	10000000 cycles
Electrical durability	100000 cycles 100 mA 30...150 V DC L/R = 10 ms 100000 cycles 30...150 V DC interposing relay 100000 cycles 300 mA 30...150 V DC resistive 100000 cycles 5 A 30 V DC resistive 200000 cycles 5 A 250 V AC resistive 50000 cycles 500 mA 30...150 V DC resistive
Output overvoltage protection	Internal by varistor, 275 V

Isolation between channels	1780 Vrms AC for 1 minute 2500 V DC
Isolation between channels and bus	1780 Vrms AC for 1 minute 2500 V DC for 1 minute
Power dissipation	2.75 W + (0.5 x the number of points on)
Marking	CE
Local signalling	1 LED green bus communication is present (Active) 1 LED red external fault detected (F) 8 LEDs green input status
Bus current requirement	560 mA
Module format	Standard
Product weight	0.66 lb(US) (0.3 kg)

## Environment

Product certifications	ABS C-Tick DNV FM Class 1 Division 2 GL GOST RINA RMRS
Standards	CSA C22.2 No 142 UL 508
Resistance to electrostatic discharge	4 kV contact conforming to IEC 801-2 8 kV on air conforming to IEC 801-2
Resistance to electromagnetic fields	9.14 V/yd (10 V/m) 80...2000 MHz conforming to IEC 801-3
Ambient air temperature for operation	32...140 °F (0...60 °C)
Ambient air temperature for storage	-40...185 °F (-40...85 °C)
Relative humidity	95 % without condensation
Operating altitude	<= 16404.2 ft (5000 m)

## Ordering and shipping details

Category	18155 - QUANTUM I/O & POWER SUPPLIES
Discount Schedule	PC21
GTIN	00785901794660
Nbr. of units in pkg.	1
Package weight(Lbs)	1.04
Returnability	Y
Country of origin	CN

## Offer Sustainability

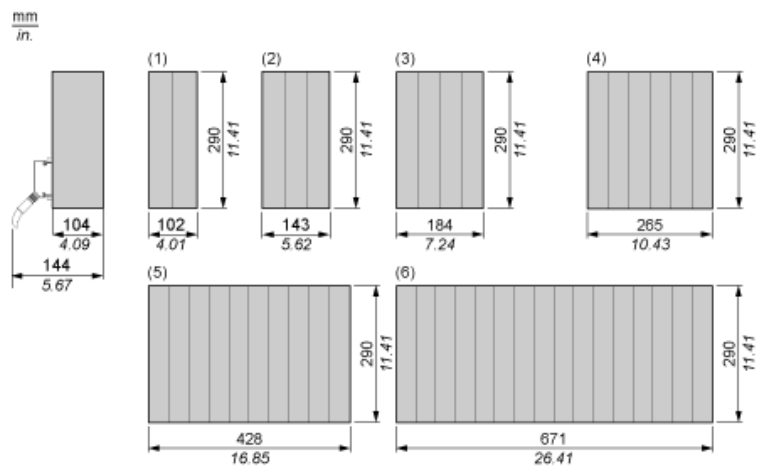
Sustainable offer status	Green Premium product
RoHS (date code: YYWW)	Compliant - since 0901 - Schneider Electric declaration of conformity <a href="#">Schneider Electric declaration of conformity</a>
REACH	Reference not containing SVHC above the threshold <a href="#">Reference not containing SVHC above the threshold</a>
Product environmental profile	Available
Product end of life instructions	Available

## Contractual warranty

Warranty period	18 months
-----------------	-----------

Racks for Modules Mounting

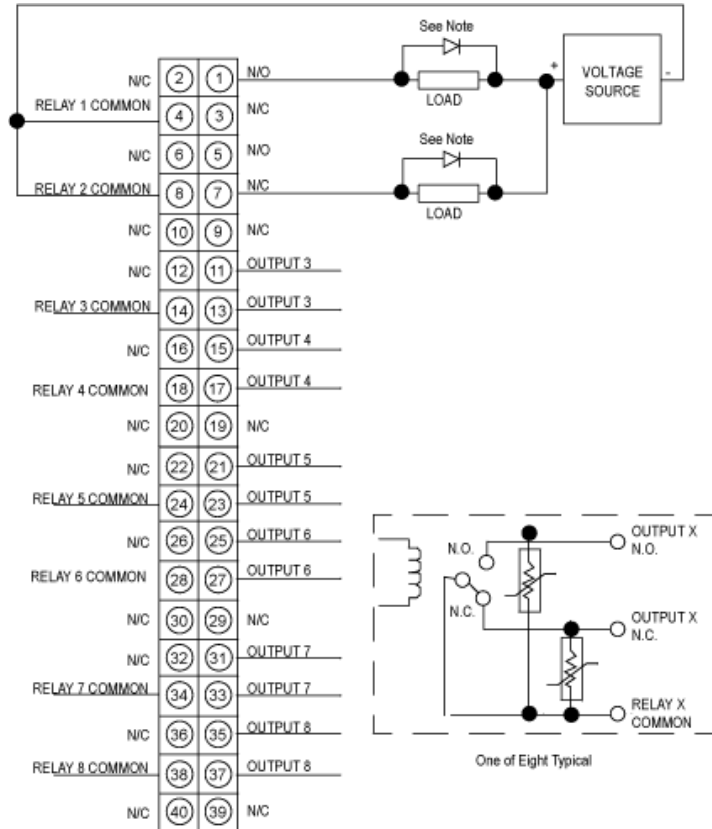
Dimensions of Modules and Racks



- (1) 2 slots
- (2) 3 slots
- (3) 4 slots
- (4) 6 slots
- (5) 10 slots
- (6) 16 slots

Relay Output Normally Open/Normally Closed Module

Wiring Diagram



N/C Not Connected  
N.O. Normally Open  
N.C. Normally Closed