

Product availability : Stock - Normally stocked in distribution facility

Price* : 2224.11 USD



Main

| | |
|---------------------------|-------------------------------------|
| Range of product | Modicon Quantum automation platform |
| Product or component type | AC discrete output modules |
| Discrete output number | 32 |

Complementary

| | |
|-------------------------|--|
| Group of channels | 4 groups of 8 channels |
| Supply frequency | 47...63 Hz |
| Voltage drop | 1.5 V |
| Discrete output voltage | 20...253 V AC |
| Addressing requirement | 2 output words |
| Absolute maximum output | 300 Vrms for 10 s AC 400 Vrms 1 cycle AC |
| Maximum load current | 0.88 mA 230 V off state leakage per output 1 A rms 20...253 V per output 16 A rms per module 4 A rms per group |
| Surge current | <= 2.5 A during 1 ms |
| DV/Dt | 400 V/ms |
| Response time | <= 0.5 ms at state 0 to state 1 <= 0.5 ms at state 1 to state 0 |
| Protection type | Internal by RC filter Internal output protection by 4 A fuse |
| Power dissipation | 1.60 + (1.0 V x total module load current) |
| Marking | CE |
| Local signalling | 1 LED green bus communication is present (Active) 1 LED red external fault detected (F) 32 LEDs green input status |
| Bus current requirement | 320 mA |

Disclaimer: This documentation is not intended as a substitute for and is not to be used for determining suitability or reliability of these products for specific user applications

| | |
|----------------|-----------------------|
| Module format | Standard |
| Product weight | 0.99 lb(US) (0.45 kg) |

Environment

| | |
|---------------------------------------|---|
| Product certifications | FM Class 1 Division 2 CUL |
| Standards | CSA C22.2 No 142 UL 508 |
| Electromagnetic compatibility | Electrostatic discharge immunity test (test level:4 kV, contact discharge) conforming to IEC 801-2 Electrostatic discharge immunity test (test level:8 kV, air discharge) conforming to IEC 801-2 Susceptibility to electromagnetic fields (test level:10 V/m, 80...1000 MHz) conforming to IEC 801-3 |
| Ambient air temperature for operation | 32...140 °F (0...60 °C) |
| Ambient air temperature for storage | -40...185 °F (-40...85 °C) |
| Relative humidity | 95 % without condensation |
| Operating altitude | <= 16404.2 ft (5000 m) |

Ordering and shipping details

| | |
|-----------------------|--------------------------------------|
| Category | 18155 - QUANTUM I/O & POWER SUPPLIES |
| Discount Schedule | PC21 |
| GTIN | 00785901328506 |
| Nbr. of units in pkg. | 1 |
| Package weight(Lbs) | 1.1200000000000001 |
| Returnability | Y |
| Country of origin | FR |

Offer Sustainability

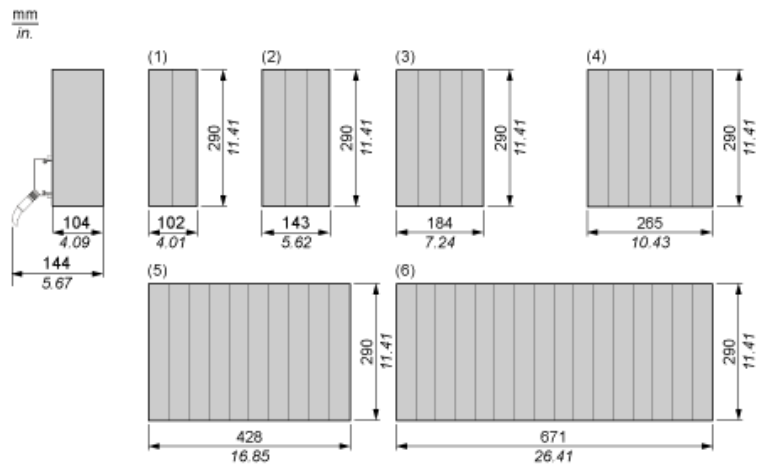
| | |
|----------------------------------|---|
| Sustainable offer status | Green Premium product |
| RoHS (date code: YYWW) | Compliant - since 0922 - Schneider Electric declaration of conformity Schneider Electric declaration of conformity |
| REACH | Reference not containing SVHC above the threshold Reference not containing SVHC above the threshold |
| Product environmental profile | Available |
| Product end of life instructions | Available |

Contractual warranty

| | |
|-----------------|-----------|
| Warranty period | 18 months |
|-----------------|-----------|

Racks for Modules Mounting

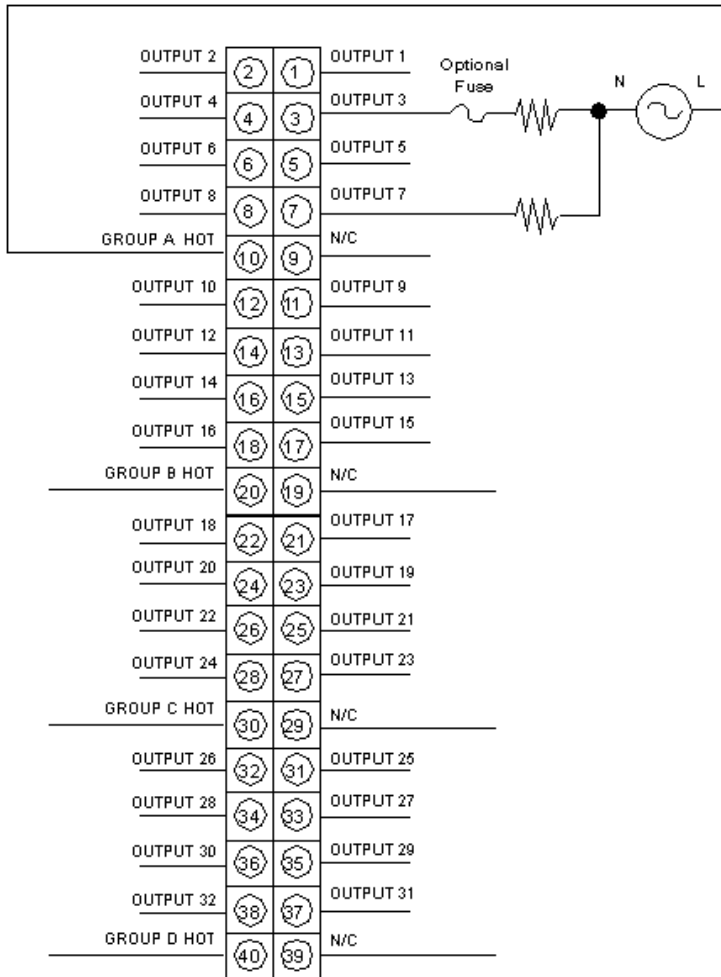
Dimensions of Modules and Racks



- (1) 2 slots
- (2) 3 slots
- (3) 4 slots
- (4) 6 slots
- (5) 10 slots
- (6) 16 slots

24...230 Vac Discrete Output Module

Wiring Diagram



N/C Not Connected