

Voice-Grade Unscreened High-Density MT-Series Keystone Jack

Voice-grade unscreened high-density MT-Series keystone jacks have been designed to support performance of voice-transmission network applications such as telephony, and low-speed data-transmission applications using standard USOC wiring scheme.

Special design features allow jack to be terminated with a standard 110 single-position tool or with the Signamax MT-series four-pair tool.



KEY FEATURES

- Exceeds TIA-568-C.2 category 3 specifications in three-pair USOC wiring scheme
- 180° high density – compatible with all Signamax keystone faceplates, surface mount boxes, and snap-in patch panels
- Multi-purpose keystone design – equally suitable as a work area outlet and a patch panel port
- Rear 110 type contacts provide improved wire retention and ease of termination
- Contact design provides enhanced plug-to-jack connection integrity
- Rated for at least 750 plug insertions providing for the highest level of system reliability
- Have an ability to mount either color-coded icon tabs for service identification or dust covers to protect unused jacks from dust and other contaminants
- Three-pair USOC wiring with an easy-to-read color-code wiring label for maximum flexibility
- Terminated with standard single-position 110 tool or Signamax MT-series four-pair termination tool

ORDERING INFORMATION

Voice-Grade Unscreened High-Density MT-Series Keystone Jack

Part Number	Description
KJ126MT-C3U	Voice-Grade MT-Series Keystone Jack, "RJ12" style, 3-pair USOC
Standard color is Light Ivory. For other colors add following to P/N:	
-BK (Black)	-BU (Blue)
-GN (Green)	-GY (Gray)
-OR (Orange)	-RD (Red)
-WH (White)	-YE (Yellow)
-DI (Dark Ivory)	

RELATED PRODUCTS

Product/Product Group	Spec Sheet #
4-Pair Termination Tool for MT-series Keystone Jacks _____	PSS.KJMT-8600 (A-MAR-10)
Keystone Jack Accessories _____	PSS.KJA (B-OCT-11)
Keystone Faceplates Adapters and Mounting Hardware _____	PSS.KFA-MH (A-AUG-07)
Keystone Plastic Faceplates _____	PSS.KPF (C-OCT-11)
Keystone Stainless Steel Faceplates _____	PSS.KSSF (B-AUG-09)
Modular Furniture Keystone Adapters _____	PSS.MFKA (A-AUG-07)
Keystone Surface Mount Multimedia Boxes _____	PSS.KSM-MMB (A-SEP-08)
Unloaded High Density Multimedia Patch Panel _____	PSS.U-HD-MM-PP (A-OCT-08)

SPECIFICATIONS

Voice-Grade Unscreened High-Density MT-Series Keystone Jack

SPECIFICATIONS

- TRANSMISSION PERFORMANCE**

Data applications: TIA-568-C.2 category 3 specifications in three-pair USOC wiring scheme (pair 1: 3-4, pair 2: 2-5, pair 3: 1-6)
Voice applications: Class B/Level 2 (up to 1 MHz)

- TRANSMISSION MEDIA**

Unscreened twisted pair (U/UTP)

- JACK TYPE**

6p6c (6-position, 6-contact) "RJ12" style

- WIRING SCHEME**

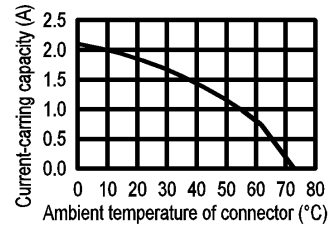
Three-pair USOC

- WIRE GAUGE**

22-24 AWG (0.644-0.511 mm)

- ELECTRICAL**

Insulation resistance: min 500 MOhm @ 100 V_{dc}
Dielectric withstanding voltage: 1,000 V_{dc/ac} peak contact-to-contact @ 60 Hz for 1 min
Spring wire contact resistance: max 20 mOhm
IDC contact resistance: max 2.5 mOhm
Current rating: see figure



- CONSTRUCTION**

Housing: high-impact thermoplastic, UL94V-0 fire-retardant
Jack spring wire: phosphor bronze alloy plated with 50 μin of gold over 70-100 μin of nickel
IDC: 110 type, phosphor bronze alloy with 100-μin 100% tin (Sn) alloy

- MECHANICAL**

Retention force: 50 N (11 lbf) for 60 ± 5 s
Mating cycle life: min 750 cycles

- FOOTPRINT**

Standard keystone footprint

- MOUNTING DIMENSIONS:**

D 30.00 mm H 19.30 mm W 16.90 mm
D 1.181 in H 0.760 in W 0.665 in

- ENVIRONMENTAL CONDITIONS**

Storage: -40 °C – +70 °C (-40 °F – +158 °F)
Operation: -10 °C – +60 °C (+14 °F – +140 °F)
RH (operation): max non-condensing 93 %

- COMPLIANCE**

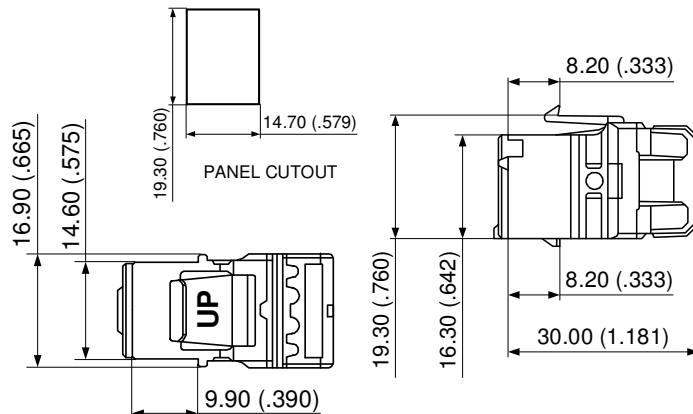
IEC 60603-7, FCC Part 68 Subpart F, UL 94V-0

- APPLICATIONS**

X.21, V.11, S0/S1/S2 (ISDN BRI/PRI), ADSL, VDSL, TR-4, TR-16

- WARRANTY**

5-year limited component warranty



SPECIFICATIONS