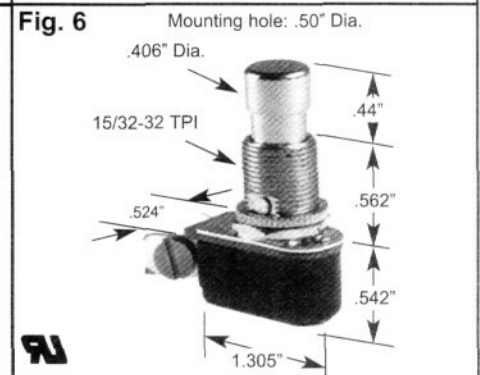
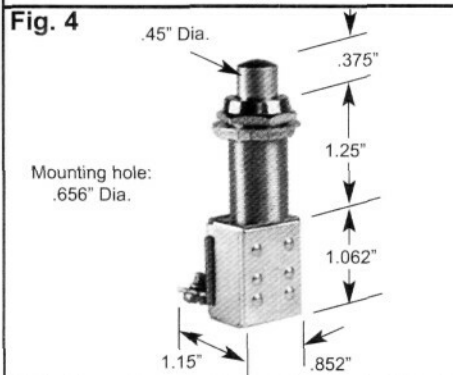
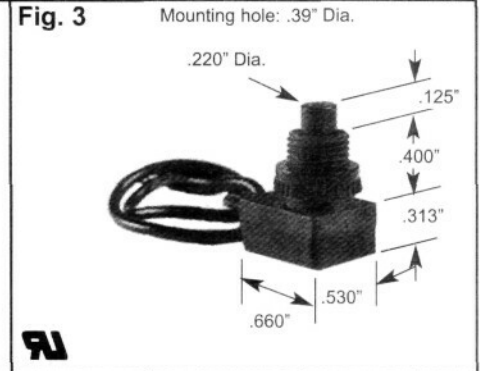
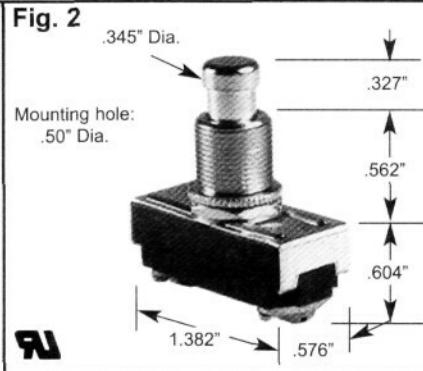


Momentary Contact



Circuit Function	Poles & Throws	Ratings (Amps)			Actuator Material	Wire Leads	Part Number		Fig. No.
		125 VAC	250 VAC	HP 125-250 VAC			Screw	.250" Q.C.	
OFF (ON)	SPST N.O.	3/41	1/41	----	Nylon----	SS213-13	----	----	1
OFF (ON)	SPST N.O.	32	----	----	Molded Plastic	SS101	----	----	3
OFF (ON)	SPST N.O.	♦	♦	----	Chrome Plated Brass	----	SS519	----	4
OFF (ON)	SPST N.O.	15	10	----	Brass/Nickel	----	SS228	----	2
OFF (ON)	SPST N.O.	15	10	----	Brass/Nickel	----	SS232P	----	5
ON (OFF)	SPST N.C.	3/41	1/41	----	Nylon----	SS214-14	----	1	1
ON (OFF)	SPST N.C.	32	----	----	Molded Plastic	SS102	----	----	3
ON (OFF)	SPST N.C.	3	1	----	Brass/Nickel	SS233W	----	----	6
ON (OFF)	SPST N.C.	15	10	----	Brass/Nickel	----	SS229	----	2

1 Stated amperage and voltage also valid for DC rating.
 2 Also rated 2 Amps 125 VAC-L.
 () Indicates momentary position
 ♦ 15 Amps 12 VDC; 25 Amps 6 VDC.



"No man will make a great leader who wants to do it all himself, or to get all the credit for doing it."

— Andrew Carnegie

Maintained Contact (Con't.)



Circuit Functions	Poles & Throws	Ratings			Actuator Style	Actuator Material	Wire Leads	Screws	Part Numbers		Fig. No.
		Amps 125 VAC	Amps 250 VAC	H.P. 125-250 VAC					.250" Q.C.	Solder Lugs	
ON OFF	SPST	16 Amps 12 VDC			Flat	Polycarbonate	----	----	SS110 ¹²³	----	9
ON OFF	SPST	16*	8*	1*	Bat	Brass/Nickel	----	SS209-8	----	1	
ON OFF	SPST	20	10	3/4	Bat	Brass/Nickel	----	----	SS113 ¹	----	2
ON OFF	SPST	20	10	3/4	Bat	Brass/Nickel	----	SS206S	SS206SP SS202P	----	3
ON OFF	SPST	20	10	1 1/2	Flat	Nylon	----	----	SS106 ¹	----	4
ON OFF	SPST	20	20	1/2**	Flat	Nylon	----	----	SS251SP	----	5
ON OFF	SPDT	6	3	----	Paddle	Plastic	----	----	----	RH26	6
ON ON	SPDT	6	3	----	Paddle	Plastic	----	----	----	RH24	7
ON ON	SPDT	15	10	----	Flat	Nylon	----	----	SS502 ²	----	8

* Stated Amperage and Voltage also valid for DC rating.

** 1 HP 250 VAC.

1 Separate Female Quick Connect Solderless Insulated Terminals, ST-16, provided with switch when ordered with suffix -BG.

2 With Solid Black Actuator.

3 Colors: Red, Green, Amber