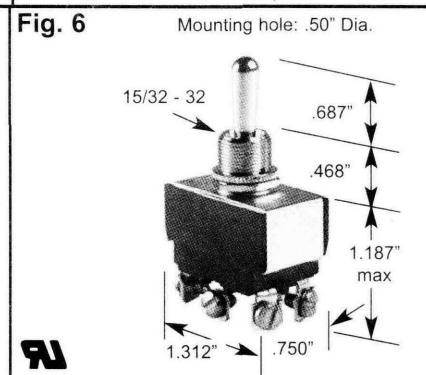
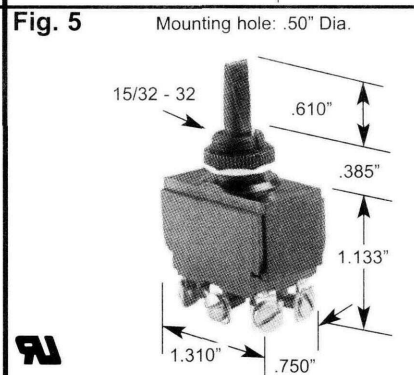
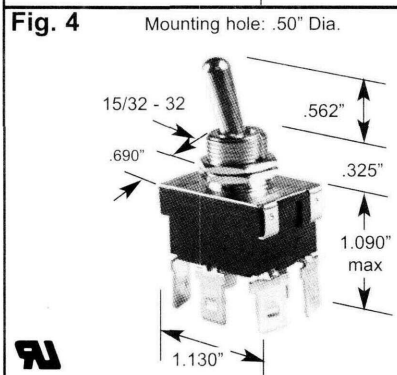
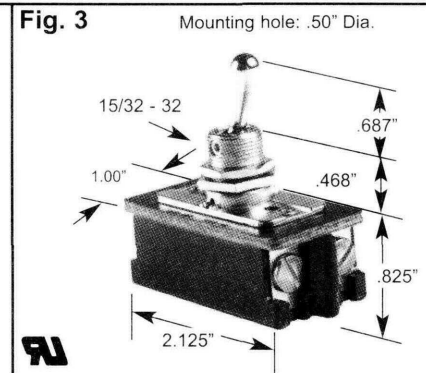
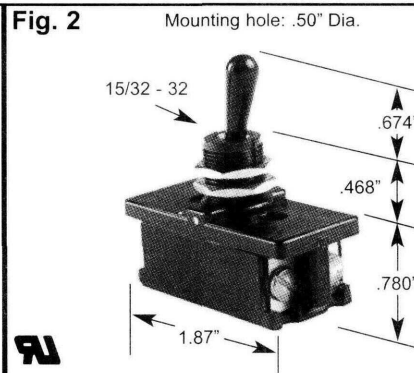
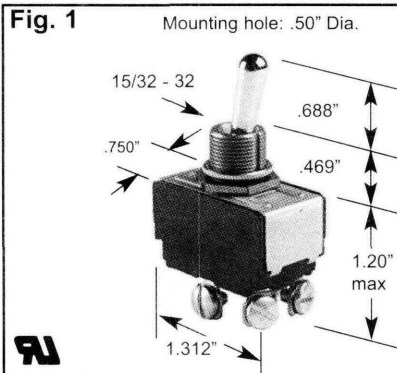


**Maintained Contact (Con't.)**



Circuit Functions	Poles & Throws	Amps 125	Ratings			Actuator Style	Actuator Material	Wire Leads	Part Numbers		Solder Lugs	Fig. No.
			Amps 250	H.P. 125-250	Screws				.250" Q.C.			
ON OFF	DPST	20	10	3/4	Bat	Brass/Nickel	----	SS207-7A	SS207P SS203P <sup>1</sup>	----	1	
ON OFF	DPST	16*	8*	1*	Bat	Nylon	----	SS218**	----	----	2	
ON OFF	DPST	20*	10*	1 1/2*	Bat	Brass/Nickel	----	SS211-16A	----	----	3	
ON ON	DPDT	15	10	3/4	Bat	Brass/Nickel	----	----	SS117 <sup>1</sup>	SS117L	4	
ON ON	DPDT	15	10	3/4	Flat	Nylon	----	SS511	SS506	----	5	
ON ON	DPDT	20	10	3/4	Bat	Brass/Nickel	----	SS208R	SS208RP	----	6	
ON OFF ON	DPDT	15	10	3/4	Flat	Nylon	----	SS512	SS507	----	5	
ON OFF ON	DPDT	15	10	3/4	Bat	Brass/Nickel	----	----	SS118 <sup>1</sup>	----	4	
ON OFF ON	DPDT	20	10	3/4	Bat	Brass/Nickel	----	SS208-16	SS208P	----	6	

\* Stated Amperage and Voltage also valid for DC rating.

\*\* Double insulated for shock proof requirements.

1 Separate Female Quick Connect Solderless Insulated Terminals, ST-16, provided with switch when ordered with suffix -BG.