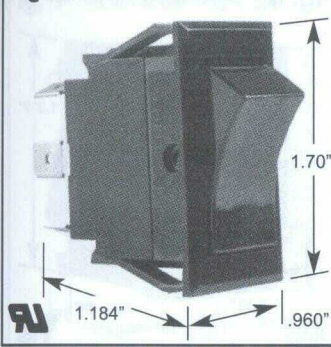
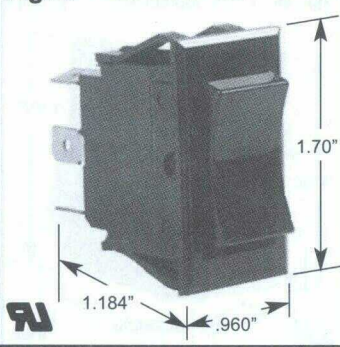


## Large Appliance Rocker Switches

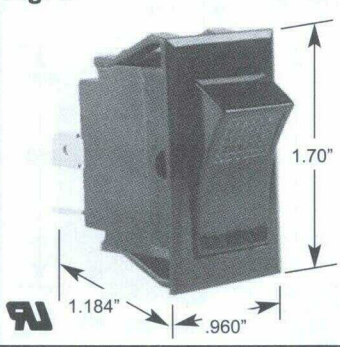
**Fig. 1** Panel Cut Out: .830" x 1.450"



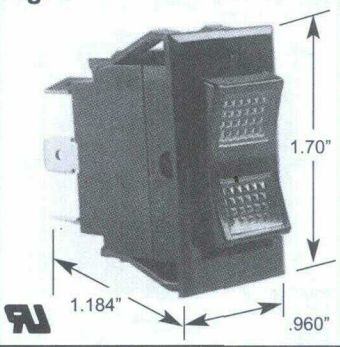
**Fig. 2** Panel Cut Out: .830" x 1.450"



**Fig. 3** Panel Cut Out: .830" x 1.450"



**Fig. 4** Panel Cut Out: .830" x 1.450"



### Curved Rocker Switches/Lighted - Maintained

*Snap-In Nylon Bezel, Phenolic Base, Nylon Actuator*

Circuit Function	Poles & Throws	Ratings (Amps)			Actuator Color	Bezel/ Base Color	Termination	Part Number	Fig. No.
		125VAC	250VAC	HP 125-250VAC					
ON OFF	SPST	15	10	3/4	Black	Black	.250" QC	SS1101	1
ON OFF	DPST	15	10	1 1/2 @ 125, 2 @ 250	Black	Black	.250" QC	SS1104	1
ON ON	DPDT	15	10	1 1/2 @ 125, 2 @ 250	Black	Black	.250" QC	SS1105	1
ON OFF ON	DPDT	15	10	3/4	Black	Black	.250" QC	SS1103	1
ON OFF ON	DPDT	15	10	1 1/2 @ 125, 2 @ 250	Black	Black	.250" QC	SS1106	1

### Curved Rocker Switches/Lighted - Momentary

*Snap-In Nylon Bezel, Phenolic Base, Nylon Actuator*

Circuit Function	Poles & Throws	Ratings (Amps)			Actuator Color	Bezel/ Base Color	Termination	Part Number	Fig. No.
		125VAC	250VAC	HP 125-250VAC					
(ON) OFF	DPST	15	10	3/4	Black	Black	.250" QC	SS1112	2
(OFF) ON	DPST	15	10	3/4	Black	Black	.250" QC	SS1113	2
(ON) ON	DPDT	15	10	3/4	Black	Black	.250" QC	SS1114	2
(ON) OFF (ON)	DPDT	15	10	3/4	Black	Black	.250" QC	SS1115	2
(ON) OFF (ON)	DPDT	15	10	3/4	Black	Black	.250" QC	SS1116	2

( ) Indicates momentary position.

### Large Lighted Rocker Switches

*Snap-In Nylon Bezel, Phenolic Base, Nylon Actuator*

Circuit Function	Poles & Throws	Ratings(Amps)			Actuator Color		Lamp Voltage	Bezel/ Base Color	Termination	Part Number	Fig. No.
		125 VAC	250 VAC	HP 250 VAC	1st Lens	2nd Lens					
ON OFF	DPST	15	10	3/4 @ 250	Red	---	12V Incandescent	Black	.250" QC	SS1104-R-12	3
ON OFF	DPST	15	10	3/4 @ 250	Red	---	125 V Neon	Black	.250" QC	SS1104-R-125	3
ON OFF	DPST	15	10	3/4 @ 250	Amber	---	12 V Incandescent	Black	.250" QC	SS1104-A-12	3
ON OFF	DPST	15	10	3/4 @ 250	Amber	---	125 V Neon	Black	.250" QC	SS1104-A-125	3
ON ON	DPDT	15	10	3/4 @ 250	Red	Amber	125 V Neon	Black	.250" QC	SS1105-RA-125	4
ON OFF ON	DPDT	15	10	3/4 @ 250	Red	Red	125 V Neon	Black	.250" QC	SS1106-RR-125	4
ON OFF ON	DPDT	15	10	3/4 @ 250	Amber	Amber	125 V Neon	Black	.250" QC	SS1106-AA-125	4