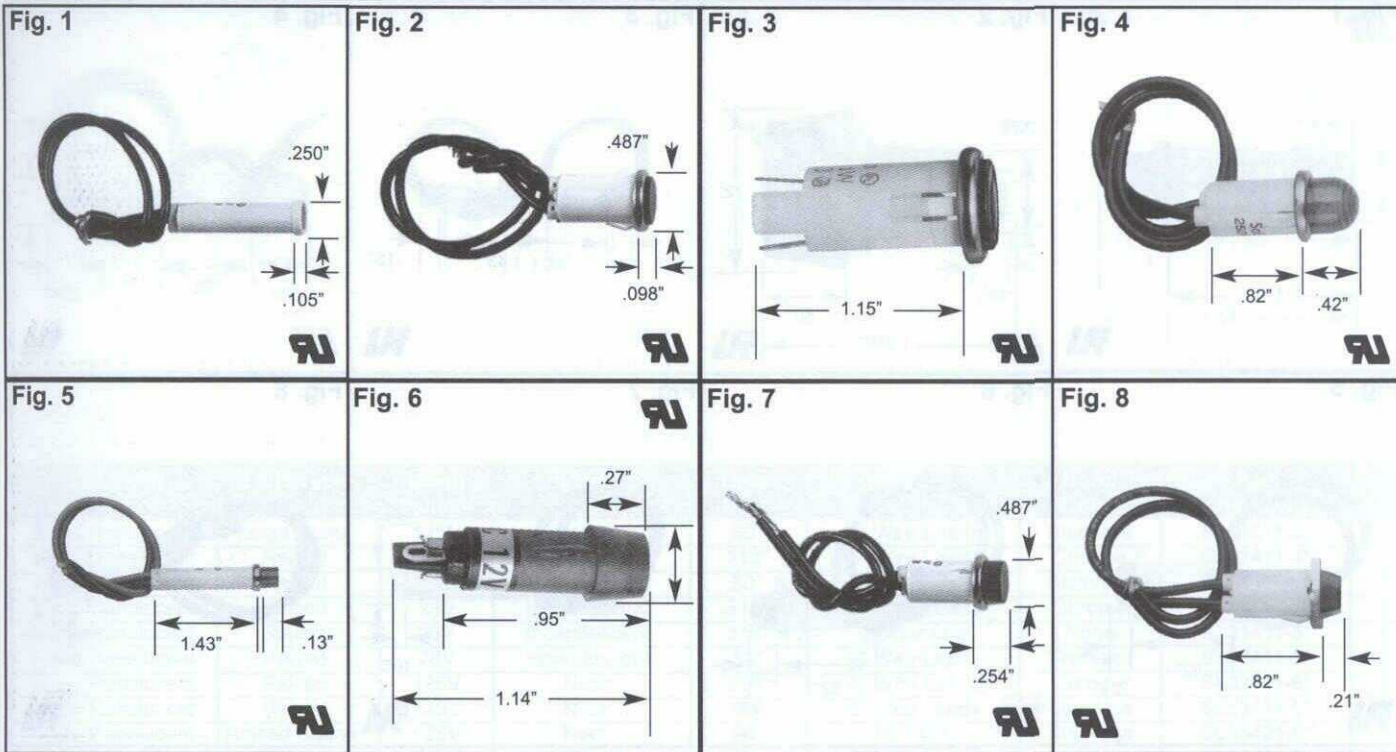


Incandescent, Neon, & LED Indicator Lights (Con't.)



Lens Color	Lens Type	Lamp Voltage	Lamp Type	Hole Size	Termination	Bezel Color	Part Number	Fig. No.
Red/Transparent	Flush	14V	Incandescent	.312"	6" Wire Leads	White	SL32115-4*	1
Red/Transparent	Flush	14V	Incandescent	.50"	6" Wire Leads	Stainless	SL53215-4*	2
Red/Transparent	Flush	28V	Incandescent	.312"	6" Wire Leads	White	SL32115-5*	1
Red/Transparent	Flush	28V	Incandescent	.50"	6" Wire Leads	Stainless	SL53215-5*	2
Red/Transparent	Flush	28V	Incandescent	.50"	.187" Q.C.	Stainless	SL53225-5*	3
Red/Transparent	Flush	125V	Neon	.312"	6" Wire Leads	White	SL32115-6*	1
Red/Transparent	Flush	125V	Neon	.50"	6" Wire Leads	Stainless	SL53215-6*	2
Red/Transparent	Flush	125V	Neon	.50"	.187" Q.C.	Stainless	SL53225-6*	3
Red/Transparent	Flush	250V	Neon	.312"	6" Wire Leads	White	SL32115-7*	1
Red/Transparent	Flush	250V	Neon	.50"	6" Wire Leads	Stainless	SL53215-7*	2
Red/Transparent	Flush	480V	Neon	.50"	6" Wire Leads	Stainless	SL53215-8*	2
Red/Transparent	Large Dome	14V	Incandescent	.50"	6" Wire Leads	Stainless	SL53815-4*	4
Red/Transparent	Large Dome	28V	Incandescent	.50"	6" Wire Leads	Stainless	SL53815-5*	4
Red/Transparent	Large Dome	125V	Neon	.50"	6" Wire Leads	Stainless	SL53815-6*	4
Red/Transparent	Raised	6V	LED	.312"	6" Wire Leads	Chrome	SL32415-1*	5
Red/Transparent	Raised	14V	LED	.312"	6" Wire Leads	Chrome	SL32415-2*	5
Red/Transparent	Raised	12V	Incandescent	.315"	Solder Lug	None	SL31415-4*	6
Red/Transparent	Raised	14V	Incandescent	.312"	6" Wire Leads	Chrome	SL32415-4*	5
Red/Transparent	Raised	14V	Incandescent	.50"	6" Wire Leads	Stainless	SL53415-4*	7
Red/Transparent	Raised	28V	LED	.312"	6" Wire Leads	Chrome	SL32415-3*	5
Red/Transparent	Raised	28V	Incandescent	.312"	6" Wire Leads	Chrome	SL32415-5*	5
Red/Transparent	Raised	28V	Incandescent	.315"	Solder Lug	None	SL31415-5*	6
Red/Transparent	Raised	28V	Incandescent	.50"	6" Wire Leads	Stainless	SL53415-5*	7

* Other voltages, terminations, & bezel colors available. Please contact factory for information.
 NOTE: Tinnerman Clips are available. Please contact factory for information. For Ordering Information, please turn to page 34-35.

Numbering System for Indicator Lights

Series/Mounting	Lens Type	Terminations	Lens Color	Lamp Voltage	Packaging
SL53 Series .50"	2 - Flush 4 - Raised 6 - Hooded 8 - Dome	1 - 6" Wire Leads 2 - .187" Q.C. 3 - .250" Q.C.	1 - White 2 - Blue 3 - Green 4 - Clear 5 - Red 6 - Amber	1 - 6V Solid State LED 2 - 12V Solid State LED 3 - 28V Solid State LED 4 - 14V Incandescent 5 - 28V Incandescent 6 - 125V Neon 7 - 250V Neon 8 - 480V Neon 9 - 120V Solid State LED	BG - Bagged BK - Bulk SB - Small Bag

Series/Mounting	Lens Type	Terminations	Lens Color	Lamp Voltage	Packaging
SL54 Series .50"	1 - Flush 4 - Raised 8 - Hooded 9 - Dome	1 - 6" Wire Leads 2 - .187" Q.C. 3 - .250" Q.C.	1 - White 2 - Blue 3 - Green 4 - Clear 5 - Red 6 - Amber 7 - Yellow	1 - 6V Solid State LED 2 - 12V Solid State LED 3 - 28V Solid State LED 4 - 14V Incandescent 5 - 28V Incandescent 6 - 125V Neon 7 - 250V Neon 8 - 480V Neon 9 - 120V Solid State LED	BG - Bagged BK - Bulk SB - Small Bag

Series/Mounting	Lens Type	Terminations	Lens Color	Lamp Voltage	Packaging
SL55 Series .50"	1 - Flush 4 - Raised 8 - Hooded 9 - Dome	1 - 6" Wire Leads 2 - .187" Q.C. 3 - .250" Q.C.	1 - White 2 - Blue 3 - Green 4 - Clear 5 - Red 6 - Amber 7 - Yellow	1 - 6V Solid State LED 2 - 12V Solid State LED 3 - 28V Solid State LED 4 - 14V Incandescent 5 - 28V Incandescent 6 - 125V Neon 7 - 250V Neon 8 - 480V Neon 9 - 120V Solid State LED	BG - Bagged BK - Bulk SB - Small Bag

Series/Mounting	Lens Type	Terminations	Lens Color	Lamp Voltage	Packaging
SL68 Series 11/16"	1 - Flush 4 - Raised 8 - Hooded 9 - Dome	1 - 6" Wire Leads 2 - .187" Q.C. 3 - .250" Q.C.	1 - White 2 - Blue 3 - Green 4 - Clear 5 - Red 6 - Amber 7 - Yellow	4 - 14V Incandescent 5 - 28V Incandescent 6 - 125V Neon 7 - 250V Neon 8 - 480V Neon	BG - Bagged BK - Bulk SB - Small Bag

Series/Mounting	Lens Type	Terminations	Lens Color	Lamp Voltage	Packaging
SL87 Series 11/16"	1 - Flush 4 - Raised 8 - Hooded 9 - Dome	1 - 6" Wire Leads 2 - .187" Q.C. 3 - .250" Q.C.	1 - White 2 - Blue 3 - Green 4 - Clear 5 - Red 6 - Amber 7 - Yellow	4 - 14V Incandescent 5 - 28V Incandescent 6 - 125V Neon 7 - 250V Neon 8 - 480V Neon	BG - Bagged BK - Bulk SB - Small Bag

SL Series	A Shape	030 Size	13 LED Color Output	D Lens Type	1 Light Type	LP Special Features	SB
SL Series LED	A - Round B - Triangular C - Rectangular D - Square E - Angled F - Axial Leads G - Rectangular Tombstone	018 - 1.8mm 020 - 2mm 025 - 2 x 5mm 030 - 3mm 050 - 5mm 055 - 5 x 5mm 065 - 5.6 x 4.9mm 080 - 8mm 100 - 10mm 255 - 2.5 x 5mm 510 - 5 x 10mm 516 - 5 x 16mm	11 - White 12 - Blue 13 - Green 15 - Red 16 - Amber 17 - Yellow 18 - Orange 19 - Red/Green	C - Clear D - Diffused T - Transparent	1 - Continuous 2 - Blinking	LP - Low Profile Only Avail. with 3mm LEDs LC - Low Current Only Avail. with 5mm LEDs	Avail. only in Small Bags -SB Suffix

NOTE: Not all combinations are Standard Stock items. Please contact Selecta Switch, Inc. for more information.