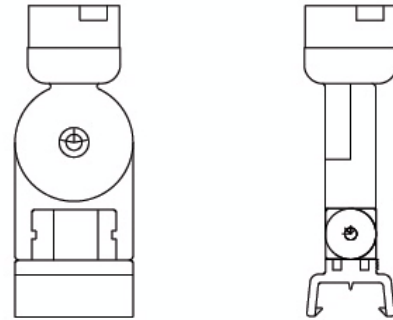


Job Name:		Item Number:	
Specifier Name:		Sales Agency:	
Specifier Contact:		Agency Contact:	
Fixture Type:		Comments:	
Quantity:		Approval:	

Lx MRC11/MR16 Lampholder



D: 1 3/8" H: 13/16"

Description

Heat resistant polycarbonate base and swivel. 12 or 24V. Minimum spacing on center: 6 inches. Maximum rotation: 90 degrees front/back; 180 degrees left/right.

Specifications

Item Number	9417-12
Finish	Black
Dimensions	D: 1 3/8" H: 13/16"
Overall Height	3 3/8"
Safety Listing	cETL Listed for Damp Locations C-UL-US Listed for Damp Locations
Warranty	1-Year Warranty

Optional Lamping

- (97004) 20w 24V MRC11 GU4 Bi-Pin Halogen NFL 30°
- (97305S) 6w 12V MR16 GU5.3 LED 3000K FL 40°
- (97505S) 6w 12V MR16 GU5.3 LED 4000K FL 40°
- (9787) 20w 12V MRC11 GU4 Bi-Pin Halogen NSP 10°
- (9789) 20w 12V MRC11 GU4 Bi-Pin Halogen NFL 30°

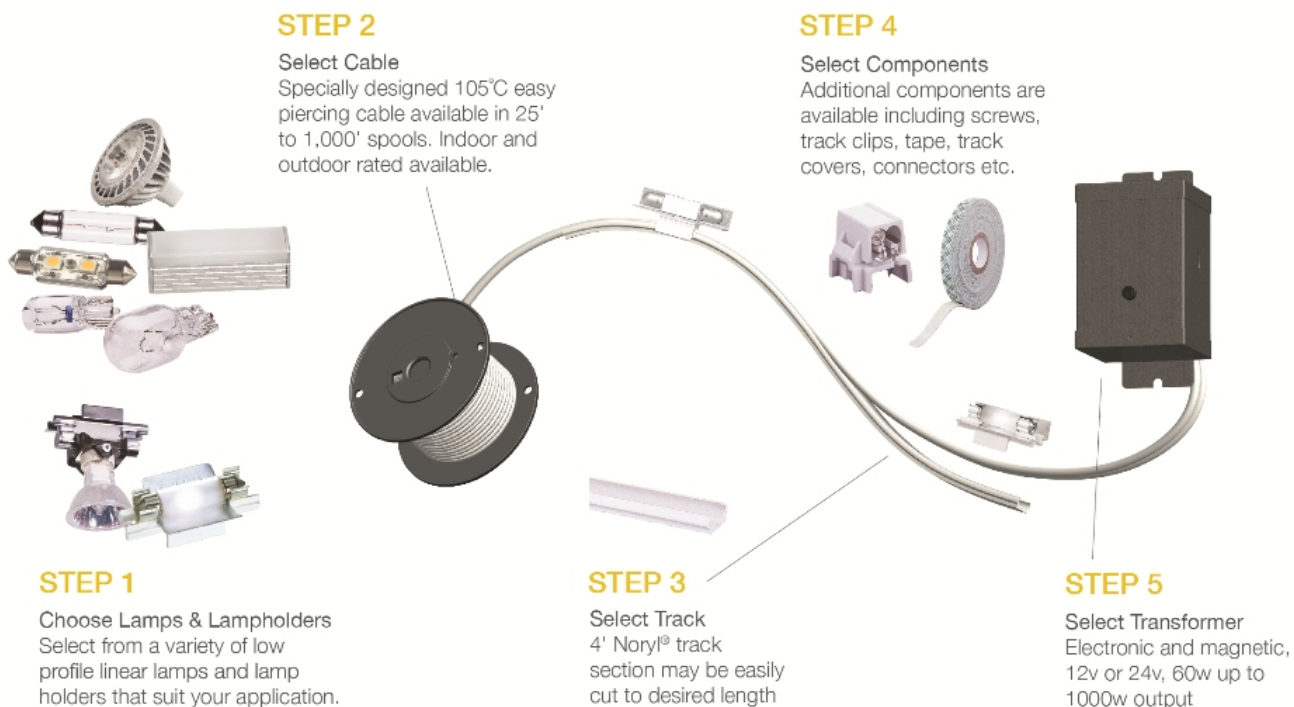
Instruction Sheets

- English (HC-205)

Shipping Information:

Package Type	Product #	Quantity	UPC	Length	Width	Height	Cube	Weight	UPS Ship
Individual	9417-12	1	785652941726	5.5	3	0.75	0.007	0.005	Yes
Master Pack		4	10785652941723						Yes
Shipping Master		40	20785652941720	11.25	9.25	6.5	0.391	2.5	Yes

Component Diagram:



7400 Linder Ave. | Skokie, Illinois 60077 | 800-347-5483
© 2013 Sea Gull Lighting LLC, a Generation Brands Company.