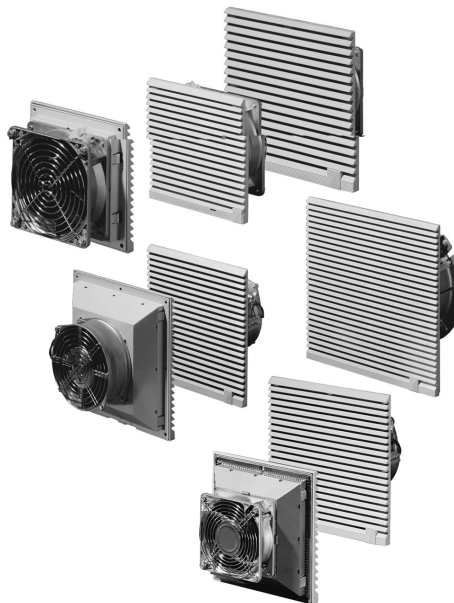


Rittal  
**SK**



**Filterlüfter**

**Fan-and-filter  
units**

**Ventilateur  
à filtre**

**Ventilator**

**Filterfläkt**

**Ventilatore-filtro**

**Ventilador  
con filtro**

**SK 3322.xxx**  
**SK 3323.xxx**  
**SK 3324.xxx**

**SK 3325.xxx**  
**SK 3326.xxx**

**Montageanleitung**

**Assembly instructions**

**Notice de montage**

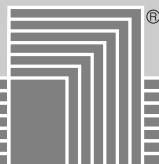
**Montage-instructie**

**Montageanvisning**

**Istruzioni di montaggio**

**Instrucciones de montaje**

**取扱説明書**



**Umschalten auf Perfektion** **RITTAL**

# English

Model No. fan-and-filter units SK	3322.100 3322.107 3322.600	3322.115 3322.117 3322.615	3322.024 3322.027	3322.048 3322.047	3323.100 3323.107 3323.600	3323.115 3323.117 3323.615	3323.024 3323.027	3323.048 3323.047
Rated voltage Volt/Hz	230/50/60	115/50/60	24 (DC)	48 (DC)	230/50/60	115/50/60	24 (DC)	48 (DC)
Air throughput unimpeded airflow	55/66 m³/h				105/120 m³/h			
Axial fan	self-starting shaded pole motor		DC motor		self-starting shaded pole motor		DC motor	
Rated current	0.12 A/ 0.11 A	0.24 A/ 0.23 A	0.35 A	0.09 A	0.12 A/ 0.11 A	0.24 A/ 0.23 A	0.35 A	0.09 A
Nominal output	19 W/18 W		7.7 W	4.4 W	19 W/18 W		8.0 W	4.3 A
<b>Spare filter mat</b>	3322.700				3171.100			
<b>Fine filter mat</b>	-				3181.100			
<b>Hose-proof hood</b>	3322.800				3323.800			
Noise level	46/49 dB (A)				46/49 dB (A)			

Model No. fan-and-filter units SK	3324.100 3324.107 3324.600	3324.115 3324.117 3324.615	3324.024 3324.027	3324.048 3324.047	3325.100 3325.107 3325.600	3325.115 3325.117 3325.615	3325.024 3325.027	3325.048 3325.047	3326.100 3326.107 3326.600	3326.115 3326.117 3326.615
Rated voltage Volt/Hz	230/50/60	115/50/60	24 (DC)	48 (DC)	230/50/60	115/50/60	24 (DC)	48 (DC)	230/50/60	115/50/60
Air throughput unimpeded airflow	180/160 m³/h				230/265 m³/h				500/560 m³/h	
Axial fan	self-starting shaded pole motor		DC motor		self-starting shaded pole motor		DC motor		capacitor motor	
Rated current	0.19 A/ 0.20 A	0.38 A/ 0.40 A	0.30 A	0.34 A	0.28 A/ 0.24 A	0.53 A/ 0.49 A	0.58 A	0.31 A	0.29 A/ 0.35 A	0.58 A/ 0.70 A
Nominal output	30 W/35 W		7.2 W	14 W	41 W/38 W		14 W	15 W	64 W/80 W	
Noise level	52/48 dB (A)				54/56 dB (A)				59/61 dB (A)	
<b>Spare filter mats</b>					3172.100				3173.100	
<b>Fine filter mat</b>					3182.100				3183.100	
<b>Hose-proof hood</b>					3324.800				3326.800	
Temperature range	-10°C to +55°C									
Protection category to EN 60 529/10.91	IP 54 by using of filter mat IP 55 by using of filter mat and hose-proof hood Complies with NEMA 1.									

## 2. Assembly

Observe sequence of assembly 1 – 4, and mounting position!  
Airflow direction can be changed by reversing the fitting of fan.  
Fully compatible with the cutouts and holes of the "old" units.  
Quick-assembly system for fan-and-filter units and outlet filter.  
**Simply snap into place, and that's it.**

## 3. Electrical connection

Supply voltage and frequency must correspond to the rated values stated on the nameplate. The relevant requirements of the local electricity board must be observed.  
Electrical connection and repair must be carried out by authorised specialist personnel only.  
Use original spares only.

## 4. Filter replacement and cleaning

The frequency of filter replacements should be determined individually, depending on dust accumulation and operating period.  
Note: Filter replacement must be carried out in good time.  
A soiled filter mat will cause the temperature to rise inside the enclosure!  
The filter mat can be regenerated by washing or blowing out.

## 5. Supply includes

1 fan-and-filter unit, ready for connection,  
1 drilling template.

## 6. Guarantee

We will guarantee this unit, if used correctly, for 1 year in respect of materials and manufacturing faults, from the date of its supply.

## 7. Waste disposal

The plastic material used in the components can be recycled.

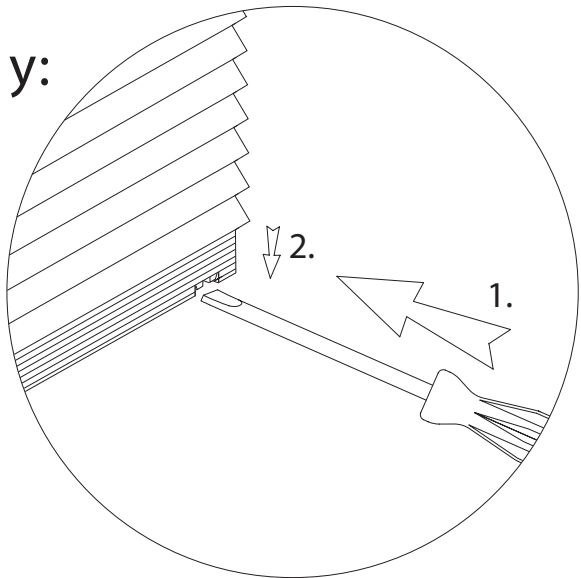
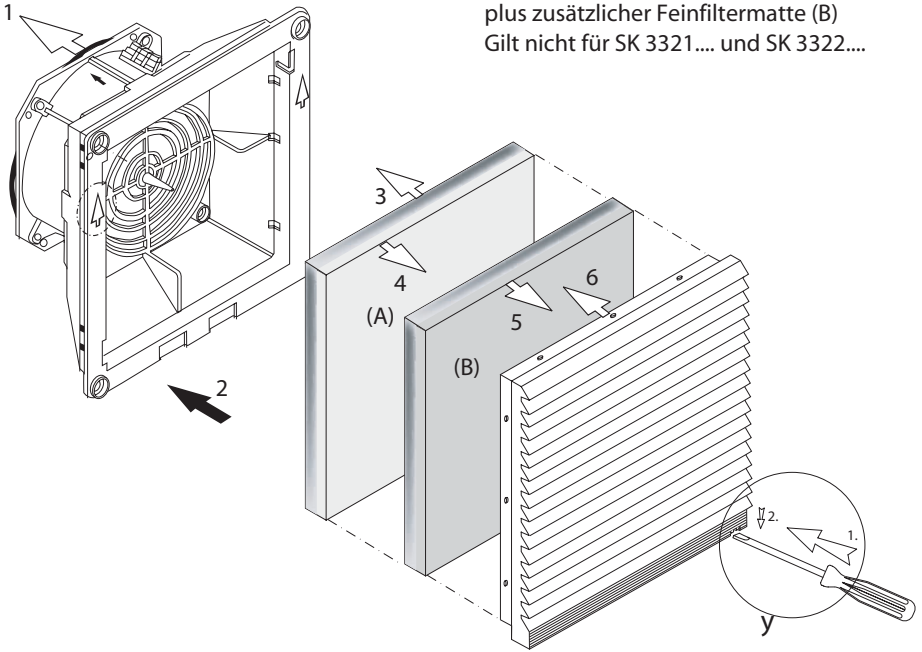
## 8. Accessories

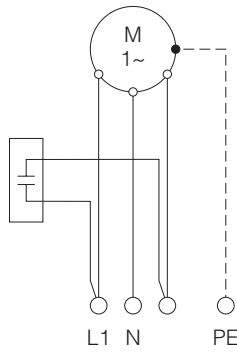
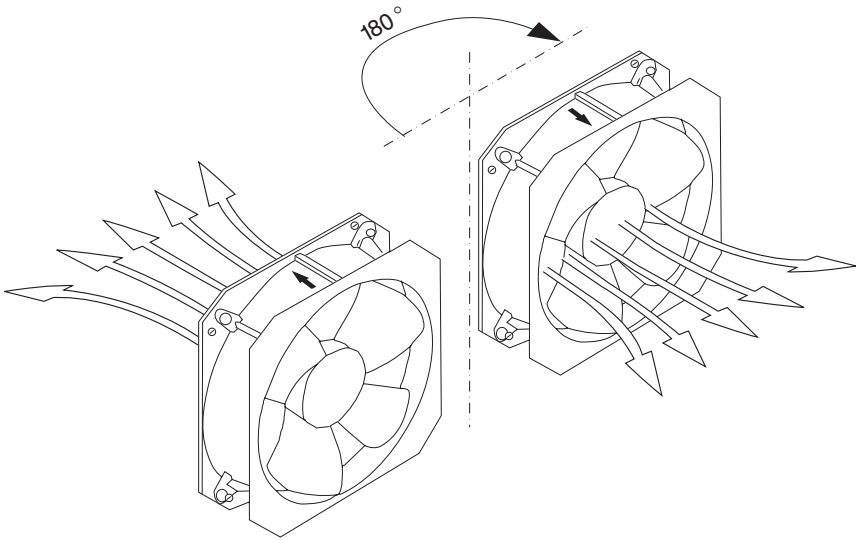
- 8.1 Spare filter mats, fine filter mats
- 8.2 Hose-proof hood
- 8.3 Thermostat SK 3110.000
- 8.4 Temperature indicator with switch contact SK 3114.000 (only for 230 V AC fan)
- 8.5 Speed control SK 3120.000 (only for 230 V AC fan).

## 9. Colour

RAL 7032: .....100 / .115 / .048 / .024  
RAL 7035: .....107 / .117 / .047 / .027

IP 55 mit Standardmatte (A)  
plus zusätzlicher Feinfiltermatte (B)  
Gilt nicht für SK 3321.... und SK 3322....







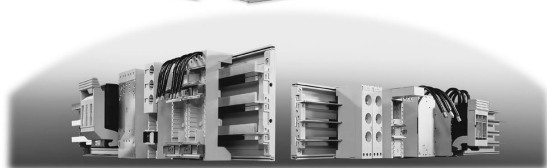
Schaltschrank-Systeme  
Industrial Enclosures  
Systèmes d'armoires électriques  
Schackelkastsystemen  
Apparatskåpssystem  
Sistemi di armadi per quadri di comando  
Sistemas de armarios de distribución  
エンクロージャシステム



Elektronik-Aufbau-Systeme EL  
Electronic Packaging EL  
Systèmes d'intégration électronique EL  
Elektronica opbouwssystemen EL  
Elektronikuppbyggnad och inkapsling EL  
Sistemi di allestimento per l'elettronica industriale EL  
Sistemas para electrónica EL  
エレクトロニクスシステム EL



System-Klimatisierung SK  
System Climate Control SK  
Systèmes de climatisation SK  
Systeemklimatisering SK  
Systemklimatisering SK  
Soluzioni di climatizzazione per quadri di comando SK  
Climatización de sistemas SK  
システム空調製品 SK



Stromverteilung SV  
Power Distribution SV  
Distribution du courant SV  
Stroomverdeling SV  
Strömfördelning SV  
Distribuzione di corrente SV  
Distribución de corriente SV  
ブスバー分電・配電システム SV



IT-Solutions  
IT Solutions  
Solutions IT  
IT-Solutions  
IT-lösningar  
Soluzioni per IT  
Soluciones TI  
IT ソリューションシステム



Communication Systems CS  
Communication Systems CS  
Solutions Télécom CS  
Outdoor-behuizingen CS  
Utomhusskåp CS  
Soluzioni outdoor CS  
Sistemas para comunicaciones CS  
通信用エンクロージャシステム CS

Rittal GmbH & Co. KG · Postfach 1662 · D-35726 Herborn  
Tel. +49(0)2772 505-0 · Fax +49(0)2772 505-2319 · eMail: info@rittal.de · www.rittal.de

