



High output LED yardblaster delivers enough light to hit the broad side of a barn. Durable finish withstands harsh environments.

Color: Silver gray

Weight: 7.8 lbs

**Project:**

**Type:**

**Prepared By:**

**Date:**

### Driver Info

Type	Constant Current
120V	0.25A
208V	0.16A
240V	0.14A
277V	0.12A
Input Watts	29.5W

### LED Info

Watts	26W
Color Temp	5000K (Cool)
Color Accuracy	67 CRI
L70 Lifespan	100,000 Hours
Lumens	3,265
Efficacy	110.7 lm/W

## Technical Specifications

### Electrical

#### Driver:

Constant Current, 120V, 50/60 Hz, 700mA, 120V: 0.6A

#### THD:

9.16% at 120V, 10.34% at 277V

#### Power Factor:

99.4% at 120V, 92.6% at 277V

#### Photocell:

120-277V twistlock photocell included. Photocell is compatible with 120-277V.

#### Surge Protection:

2kV

### Compliance

#### UL Listed:

Suitable for wet locations

#### IESNA LM-79 & IESNA LM-80 Testing:

RAB LED luminaires and LED components have been tested by an independent laboratory in accordance with IESNA LM-79 and LM-80.

### LED Characteristics

#### LEDs:

Multi-chip, high-output, long-life LED

#### Color Stability:

LED color temperature is warranted to shift no more than 200K in color temperature over a 5-year period

#### Color Uniformity:

RAB's range of Correlated Color Temperature follows the guidelines of the American National Standard for Specifications for the Chromaticity of Solid State Lighting (SSL) Products, ANSI C78.377-2017.

### Performance

#### Lifespan:

100,000-Hour LED lifespan based on IES LM-80 results and TM-21 calculations

### Construction

#### Cold Weather Starting:

Minimum starting temperature is -40°C (-40°F)

#### Housing:

Precision die-cast aluminum housing and arm

#### Mounting:

Mounts on wall or existing arm/pole YARM24 (1 5/8" diameter pipe)

## Technical Specifications (continued)

### Construction

#### Effective Projected Area:

EPA = 0.3

#### Recommended Mounting Height:

15 ft

#### Lens:

High-impact, frosted polycarbonate lens

#### Reflector:

High-reflectance white paint

#### Gaskets:

High-temperature silicone

### Finish:

Our environmentally friendly polyester powder coatings are formulated for high-durability and long-lasting color

### Green Technology:

Mercury and UV free. RoHS-compliant components.

### Other

#### Patents:

The design of YBLED26 is protected by patents pending in US, Canada, China, Taiwan and Mexico

#### Warranty:

RAB warrants that our LED products will be free from defects in materials and workmanship for a period of five (5) years from the date of delivery to the end user, including coverage of light output, color stability, driver performance and fixture finish. RAB's warranty is subject to all terms and conditions found at [rablighting.com/warranty](http://rablighting.com/warranty).

#### Equivalency:

Equivalent to 150 HPS

### Buy American Act Compliance:

RAB values USA manufacturing! Upon request, RAB may be able to manufacture this product to be compliant with the Buy American Act (BAA). Please contact customer service to request a quote for the product to be made BAA compliant.

### Optical

#### BUG Rating:

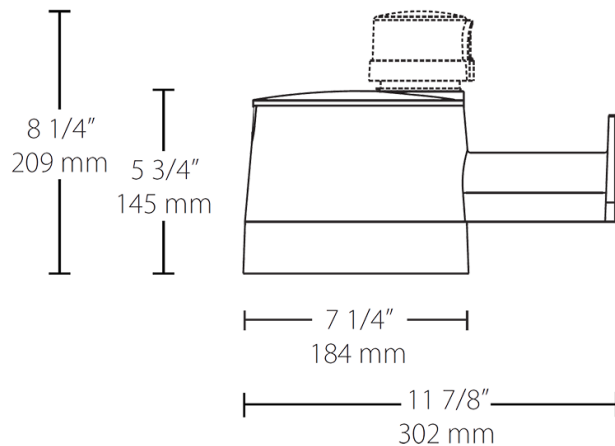
B1 U2 G1

#### Listings

#### DLC Listed:

This product is listed by Design Lights Consortium (DLC) as an ultra-efficient premium product that qualifies for the highest tier of rebates from DLC Member Utilities. DLC Product Code: P61P1Z9G

## Dimensions



## Features

- Widespread light distribution illuminates large areas
- Vandal-resistant
- High-impact polycarbonate lens
- Rugged die-cast aluminum housing withstands harsh environments
- Integrated dusk to dawn photocell
- 100,000-hour LED lifespan

## Ordering Matrix

Family	Wattage	Color Temp	Mounting	Dimming	Options
YBLED	26				/PCT

**26** = 26W    **Blank** = 5000K (Cool)    **Blank** = Wall    **Blank** = No Dimming<sup>3</sup>    **/PCU** = Standard Button Photocell  
**40** = 40W    **Y** = 3000K (Warm)    **/ARM** = Arm    **/D10** = 0-10V Dimming<sup>1</sup>    **Blank** = Button Photocell<sup>2</sup>  
**60** = 60W    **N** = 4000K (Neutral)

<sup>1</sup> Available only in 40W & 60W with /5PR or /LC

<sup>2</sup> Standard with 26W

<sup>3</sup> Available only in the Blank, /PCU or /PCT options