



For weatherproof safety, this heavy duty die cast aluminum cover fits round boxes. Supplied with heavy foam rubber gasket and four #10-24 stainless steel screws.

Color: White

Weight: 0.3 lbs

**Project:**

**Type:**

**Prepared By:**

**Date:**

## Technical Specifications

### Compliance

#### UL Listed:

Suitable for wet locations

### Construction

#### Covers:

Heavy duty die cast aluminum

#### Screws:

10-24 Stainless steel Round Head  
Phillips/slotted

### Gaskets:

1/8" thick closed cell silicone rubber for long lasting seal won't crumple or break

### Diameter:

4"

### Tap:

1/2"

### Other

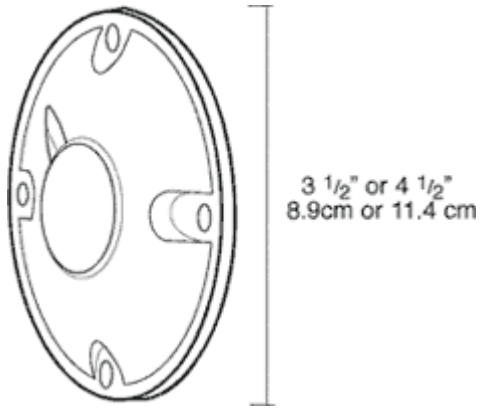
#### Replacement Plugs:

Available for round and rectangular covers and boxes

#### Buy American Act Compliance:

RAB values USA manufacturing! Upon request, RAB may be able to manufacture this product to be compliant with the Buy American Act (BAA). Please contact customer service to request a quote for the product to be made BAA compliant.

## Dimensions



## Features

- Stainless steel screws provided
- Die cast aluminum covers are color matched
- Close-up plugs allow Phillips or slotted screwdrivers for easy installation