



Color: Bronze

Weight: 16.6 lbs

Project:

Type:

Prepared By:

Date:

Lamp Info

Type	ED17
Watts	100W
Shape/Size	N/A
Base	N/A
ANSI	N/A
Hours	24,000
Lamp Lumens	9,500
Efficacy	82.6 lm/W

Ballast Info

Type	HX-HPF QT
120V	1.5/1.1A
208V	.8/.7A
240V	.7/.6A
277V	.6/.5A
Input Watts	115W

Technical Specifications

Compliance

UL Listed:

Suitable for wet locations. HID fixtures can be wired with 90°C supply wiring if supply wires are routed 3" away from the ballast.

Construction

Housing:

Die-cast aluminum, 1/2" NPS tapped holes top, both sides and back for conduit or photocontrol. Hinged refractor frame. Continuous silicone rubber gasket.

Reflector:

Specular anodized aluminum, removable for installation. Symmetrical light pattern maximizes distance between fixtures.

Cutoff Lens:

Tempered glass

Finish:

Formulated for high durability and long-lasting color

Optical

Refractor:

Prismatic optics designed to minimize glare and throw light down and out. Heat resistant borosilicate glass.

Electrical

Quad Tap:

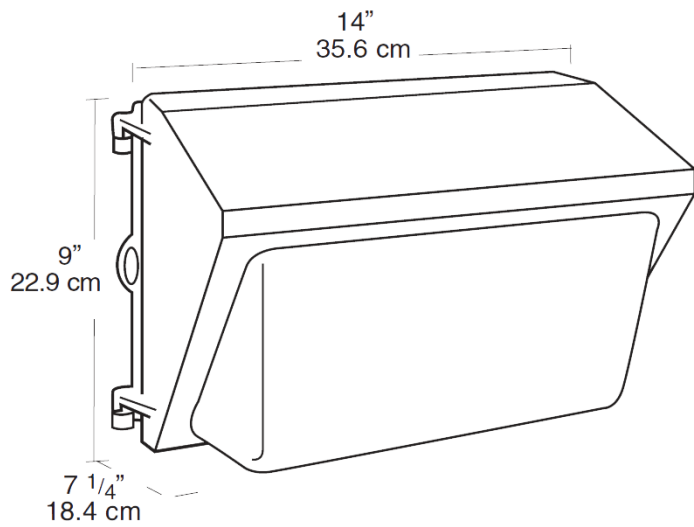
Fixture works with 120, 208, 240 and 277 Volts

Other

Buy American Act Compliance:

RAB values USA manufacturing! Upon request, RAB may be able to manufacture this product to be compliant with the Buy American Act (BAA). Please contact customer service to request a quote for the product to be made BAA compliant.

Dimensions



Features

- Precision die cast aluminum housing with durable polyester powder coating
- Tempered Glass Refractor and Tempered Glass Lens
- Drilling template for easy box mounting
- Silicone gasket remains in place during relamping
- Top, side and back conduit openings
- Cutoff Glare Shield for Friendly Lighting
- Long life lamp included