



The Mini Curve. High quality die cast flood with rounded back and integral glare shield. Tempered glass lens. Gold plated socket contacts and 250°C Teflon coated wires for extended lamp life. 150 Watt double ended 130 volt Quartz halogen lamp supplied.

Color: White

Weight: 1.6 lbs

Project:	Type:
Prepared By:	Date:

Lamp Info		Ballast Info	
Type:	T3	Type:	N/A
Watts:	150W	120V:	N/A
Shape/Size:	N/A	208V:	N/A
Base:	N/A	240V:	N/A
ANSI:	N/A	277V:	N/A
Hours:	2,000	Input Watts:	150W
Lamp Lumens:	2800		
Efficacy:	19 LPW		

Technical Specifications

Listings

UL Listing:

Suitable for wet locations. Suitable for mounting within 1.2m (4ft) of the ground.

EISA 2007 Compliant:

This product complies with the new law for metal halide ballast efficiency. This law goes into effect January 1st, 2008. Pulse Start offers Longer Lamp Life, Faster Startup and Faster Restrike.

Construction

Housing:

Die cast aluminum, 1/2" NPS threaded arm with locking swivel fits all standard mounting covers

Lens Gasket:

High temperature silicone gasket stays in place during relamping

Reflector:

Semi-specular anodized aluminum

Lens:

Thermal, tempered, shock resistant glass

Finish:

Formulated for high-durability and long lasting color

Hardware:

Stainless steel external hardware

Electrical

Sockets:

Porcelain RSC base sockets with gold plated spring loaded contacts and strain relieved 250° C Teflon insulated wires

Optical

Lamp:

High quality 130 volt Quartz Halogen lamp for extended life. Accepts both 150 and 200 watt lamps.

Other

Replacement Lamp:

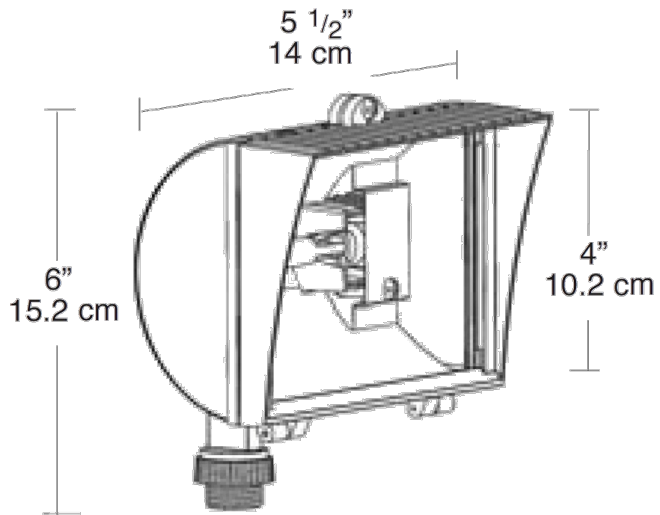
LQ150

Patents:

The unique RAB Quartz Curve is protected by U.S. Patent D565,223; China Patent ZL200730149209.5; Taiwan Patent D124,862 and Canada Patent D121,992

Buy American Act Compliance:

RAB values USA manufacturing! Upon request, RAB may be able to manufacture this product to be compliant with the Buy American Act (BAA). Please contact customer service to request a quote for the product to be made BAA compliant.

Dimensions**Features**

- Silicone gasket remains in place during relamping
- 5mm thick, tempered glass lens
- High quality 130 volt (for extended life) Quartz Halogen lamp
- Lamp packed with protective cushion for easy installation
- Stainless steel external hardware
- Precision die cast aluminum housing with durable polyester powder coating
- EZ Grip locknut matches fixture finish and can be adjusted with fingers, pliers or a screwdriver
- Stainless steel clip with Vandal proof screw capability
- Integra hood glare shield for friendly lighting when properly aimed
- Fins for heat dissipation and extended lamp life