



Mighty Post Adapter section lets you install an In-Use Outlet or most other rectangular covers on a Mighty Post. Adapter made from tough ABS. Post top and blank plate in matching color supplied. Fits 2 1/2" pipe for a DIY post. Cap and close up plug supplied.

Color: Black

Weight: 0.9 lbs

Project:	Type:
Prepared By:	Date:

Technical Specifications

Listings

UL Listing:

Suitable for wet locations. Fixtures with ground wire must be used.

Construction

Materials:

Post PVC Cap ABS In-Use Cover Clear PVC MP Adapter ABS Junction Box Polycarbonate

Set Screw:

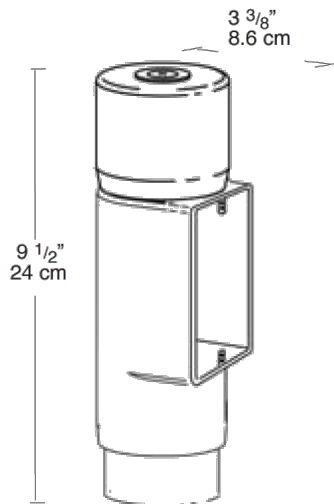
Locks cap to post and prevents rotation

Other

Buy American Act Compliance:

RAB values USA manufacturing! Upon request, RAB may be able to manufacture this product to be compliant with the Buy American Act (BAA). Please contact customer service to request a quote for the product to be made BAA compliant.

Dimensions



Features

- Clear PVC plastic turtle cover with lockable latch
- Smooth edged electrical cord slots
- Fits all standard rectangular covers
- Close up plug included
- Knockout holes in bottom of Post Adapter for easy wiring
- Mighty Post Adapter extends post height to keep outlets about plants and snow
- Add an electrical box to your Might Post and Lawn Light combo