



Rugged die cast floodlight with heavy mounting arm, lens, glare shield and weatherproof silicone gasket. 75 Watt max., accepts lamp types PAR16, PAR20 and R type. 120 volt Lamp not supplied.

Color: Bronze

Weight: 1.6 lbs

Project:

Type:

Prepared By:

Date:

Lamp Info

Type PAR20
 Watts 75W
 Shape/Size N/A
 Base N/A
 ANSI N/A
 Hours 2,500
 Lamp Lumens 550
 Efficacy N/A

Ballast Info

Type N/A
 120V N/A
 208V N/A
 240V N/A
 277V N/A
 Input Watts N/A

Technical Specifications

Compliance

UL Listed:

Suitable for wet locations. Suitable for mounting within 1.2m (4ft) of the ground.

Construction

Swivels:

1/2" NPS threaded arm with serrated locking swivel fits all standard mounting boxes. EZ Grip locknuts color matched to fixture.

Housings:

Precision die-cast aluminum

Electrical

Watts:

75

Voltage:

120

Sockets:

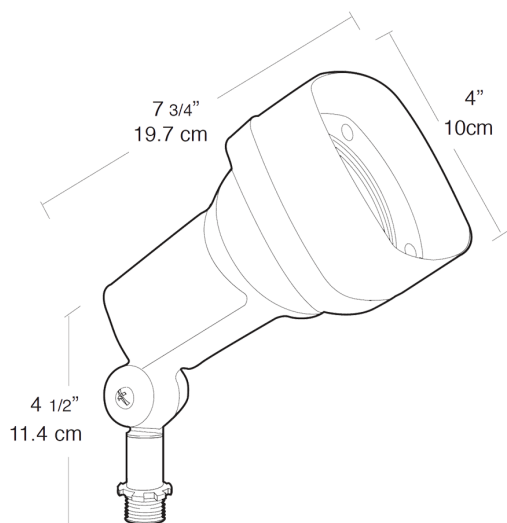
Medium base porcelain with all copper current carrying components and spring loaded center contact

Other

Buy American Act Compliance:

RAB values USA manufacturing! Upon request, RAB may be able to manufacture this product to be compliant with the Buy American Act (BAA). Please contact customer service to request a quote for the product to be made BAA compliant.

Dimensions



Features

Rugged die cast aluminum housing with polyester powder coat finish

Deep Glare Shield

weatherproof lens and gasket

"O" Ring seal for full weather protection

No-rust brass & stainless steel external hardware

Rugged mounting arm has 1/2" threads and pivots 180

EZ Grip locknuts are color matched to fixture and can be tightened with fingers, pliers or screwdriver